



Chipsmall Limited consists of a professional team with an average of over 10 year of expertise in the distribution of electronic components. Based in Hongkong, we have already established firm and mutual-benefit business relationships with customers from,Europe,America and south Asia,supplying obsolete and hard-to-find components to meet their specific needs.

With the principle of “Quality Parts,Customers Priority,Honest Operation,and Considerate Service”,our business mainly focus on the distribution of electronic components. Line cards we deal with include Microchip,ALPS,ROHM,Xilinx,Pulse,ON,Everlight and Freescale. Main products comprise IC,Modules,Potentiometer,IC Socket,Relay,Connector.Our parts cover such applications as commercial,industrial, and automotives areas.

We are looking forward to setting up business relationship with you and hope to provide you with the best service and solution. Let us make a better world for our industry!



Contact us

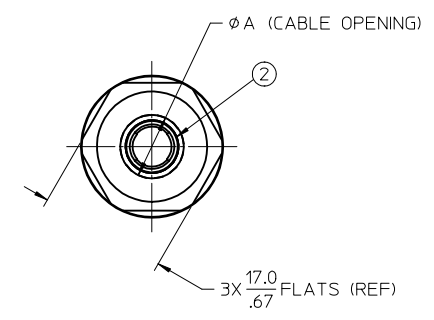
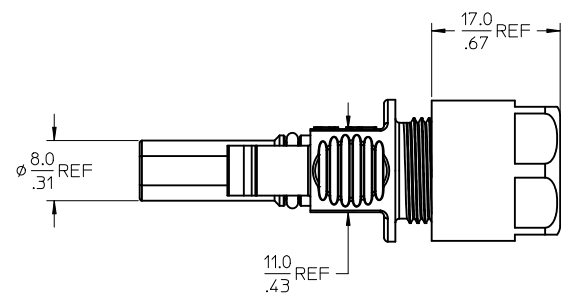
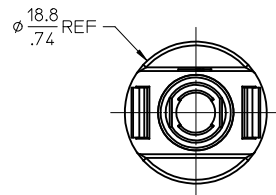
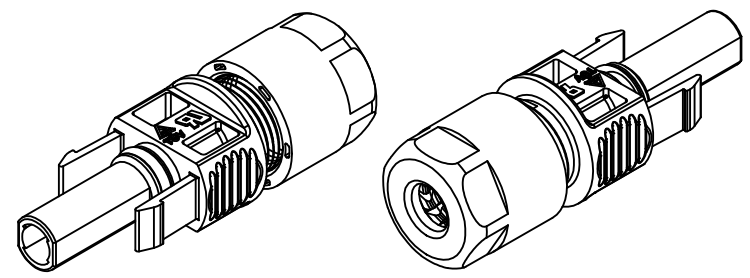
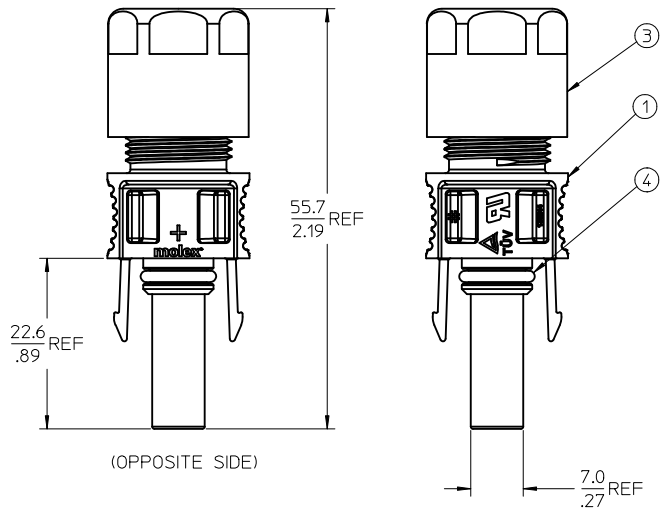
Tel: +86-755-8981 8866 Fax: +86-755-8427 6832

Email & Skype: info@chipsmall.com Web: www.chipsmall.com

Address: A1208, Overseas Decoration Building, #122 Zhenhua RD., Futian, Shenzhen, China



1302440203	2.5 mm ² / 14 AWG	5.8-6.7 / .23-.26	7.0 / .28
1302440201	4.0-6.0 mm ² / 12-10 AWG	6.7-7.8 / .26-.31	8.4 / .33
MATERIAL NO.	CABLE SIZE	CABLE Ø RANGE	DIM. "A"



NOTES:

1. MATERIALS: SEE TABLE
2. FINISHES: SEE TABLE
3. PRODUCT SPECIFICATION: PS-130244-001
4. PACKAGING SPECIFICATION: PK-130244-001
5. USE SOLARSPEC TERMINAL SERIES 130197
6. MATES WITH: 1302440202 OR 1302440204
7. ASSEMBLY IS ROHS COMPLIANT.

4	1	O-RING SEAL	SILICONE	DARK GRAY
3	1	CABLE RETENTION NUT	POLYCARBONATE (PC)	BLACK
2	1	CABLE GROMMET	SILICONE	TRANSLUCENT
1	1	SOCKET HOUSING	POLYCARBONATE (PC)	BLACK
ITEM	QTY	DESCRIPTION	MATERIAL	FINISH

DOC RELEASE EC NO: IPG2012-0291 DRWNR:RUPERT 2011/03/04 CHKD: APPR:DTITUS 2012/02/24 REV: A	QUALITY SYMBOLS ▽=0 ▽=0	GENERAL TOLERANCES (UNLESS SPECIFIED) <table border="1"> <tr> <th></th> <th>mm</th> <th>INCH</th> </tr> <tr> <td>4 PLACES</td> <td>± .13</td> <td>± .005</td> </tr> <tr> <td>3 PLACES</td> <td>± .13</td> <td>± .005</td> </tr> <tr> <td>2 PLACES</td> <td>± 0.13</td> <td>± .010</td> </tr> <tr> <td>1 PLACE</td> <td>± 0.25</td> <td>± .010</td> </tr> </table>		mm	INCH	4 PLACES	± .13	± .005	3 PLACES	± .13	± .005	2 PLACES	± 0.13	± .010	1 PLACE	± 0.25	± .010	DIMENSION STYLE MM/IN	SCALE 2:1	DESIGN UNITS METRIC	THIRD ANGLE PROJECTION
		mm	INCH																		
	4 PLACES	± .13	± .005																		
	3 PLACES	± .13	± .005																		
2 PLACES	± 0.13	± .010																			
1 PLACE	± 0.25	± .010																			
		DRAWN BY: CLYORK CHECKED BY: DTITUS APPROVED BY: DTITUS DATE: 2010/03/17 DATE: 2010/03/17 DATE: 2010/10/28	TITLE SOCKET ASSEMBLY, PV SOLAR DC CONNECTOR, 14-10 AWG	MOLEX INCORPORATED	SHEET NO. 1 OF 1	DOCUMENT NO. SD-130244-001															
		DRAFT WHERE APPLICABLE MUST REMAIN WITHIN DIMENSIONS	SEE CHART	THIS DRAWING CONTAINS INFORMATION THAT IS PROPRIETARY TO MOLEX INCORPORATED AND SHOULD NOT BE USED WITHOUT WRITTEN PERMISSION																	