



Chipsmall Limited consists of a professional team with an average of over 10 year of expertise in the distribution of electronic components. Based in Hongkong, we have already established firm and mutual-benefit business relationships with customers from,Europe,America and south Asia,supplying obsolete and hard-to-find components to meet their specific needs.

With the principle of “Quality Parts,Customers Priority,Honest Operation,and Considerate Service”,our business mainly focus on the distribution of electronic components. Line cards we deal with include Microchip,ALPS,ROHM,Xilinx,Pulse,ON,Everlight and Freescale. Main products comprise IC,Modules,Potentiometer,IC Socket,Relay,Connector.Our parts cover such applications as commercial,industrial, and automotives areas.

We are looking forward to setting up business relationship with you and hope to provide you with the best service and solution. Let us make a better world for our industry!



## Contact us

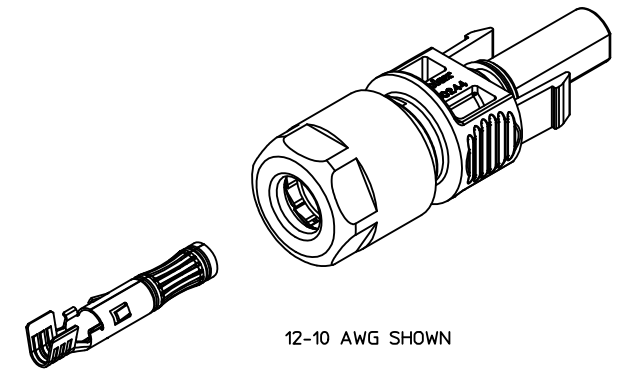
Tel: +86-755-8981 8866 Fax: +86-755-8427 6832

Email & Skype: info@chipsmall.com Web: www.chipsmall.com

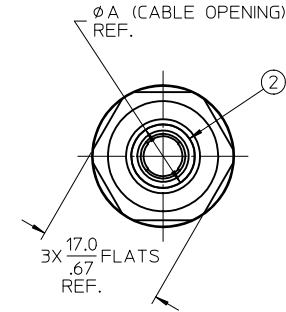
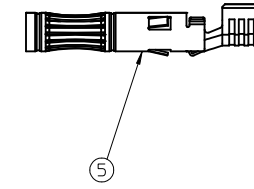
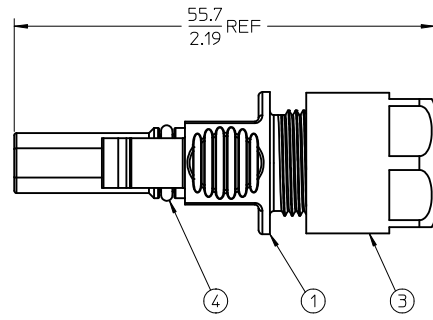
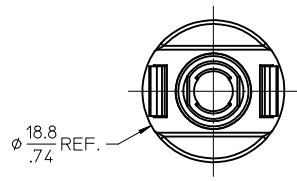
Address: A1208, Overseas Decoration Building, #122 Zhenhua RD., Futian, Shenzhen, China



1302441203	2.5 mm <sup>2</sup> / 14 AWG	5.8-6.7 / .23-.26	7.0 / .28
1302441201	4.0-6.0 mm <sup>2</sup> / 12-10 AWG	6.7-7.8 / .26-.31	8.4 / .33
<b>MATERIAL NO.</b>	<b>CABLE SIZE</b>	<b>CABLE Ø RANGE</b>	<b>DIM. "A"</b>



12-10 AWG SHOWN



- NOTES:
1. MATERIALS: SEE TABLE
  2. FINISHES: SEE TABLE
  3. PRODUCT SPECIFICATION: PS-130244-001
  4. PACKAGING SPECIFICATION: PK-130244-021
  5. MATES WITH: 1302441202 OR 1302441204
  6. ASSEMBLY IS ROHS COMPLIANT.
  7. 5 ASSEMBLIES PER KIT.

ITEM	QTY	DESCRIPTION	MATERIAL	FINISH
5	1	CONTACT, SOCKET	COPPER ALLOY	SELECTIVE SILVER
4	1	O-RING SEAL	SILICONE	DARK GRAY
3	1	CABLE RETENTION NUT	POLYCARBONATE (PC)	BLACK
2	1	CABLE GROMMET	SILICONE	TRANSLUCENT
1	1	SOCKET HOUSING	POLYCARBONATE (PC)	BLACK

PRELIMINARY EC NO: WNA2011-0282 DRAWN: CLYORK 2010/11/24 CHKD: DTITUS APPR: DTITUS 2010/12/06	QUALITY SYMBOLS
	=0 =0

GENERAL TOLERANCES (UNLESS SPECIFIED)															
<table border="1"> <thead> <tr> <th></th> <th>mm</th> <th>INCH</th> </tr> </thead> <tbody> <tr> <td>4 PLACES</td> <td>± .---</td> <td>± .---</td> </tr> <tr> <td>3 PLACES</td> <td>± .---</td> <td>± .005</td> </tr> <tr> <td>2 PLACES</td> <td>± 0.13</td> <td>± .010</td> </tr> <tr> <td>1 PLACE</td> <td>± 0.25</td> <td>± .---</td> </tr> </tbody> </table>		mm	INCH	4 PLACES	± .---	± .---	3 PLACES	± .---	± .005	2 PLACES	± 0.13	± .010	1 PLACE	± 0.25	± .---
	mm	INCH													
4 PLACES	± .---	± .---													
3 PLACES	± .---	± .005													
2 PLACES	± 0.13	± .010													
1 PLACE	± 0.25	± .---													
ANGULAR ± 2 °															
DRAFT WHERE APPLICABLE MUST REMAIN WITHIN DIMENSIONS															

DIMENSION STYLE	MM/IN
DRAWN BY	CLYORK
DATE	2010/08/13
CHECKED BY	DTITUS
DATE	2010/08/13
APPROVED BY	DTITUS
DATE	2010/12/06
MATERIAL NO.	SEE CHART
SIZE	C

SCALE	2:1
DESIGN UNITS	METRIC
THIRD ANGLE PROJECTION	
TITLE	SOCKET ASSEMBLY KIT, PV SOLAR DC CONNECTOR, 14-10 AWG
MOLEX INCORPORATED	
DOCUMENT NO.	SD-130244-021
SHEET NO.	1 OF 1
THIS DRAWING CONTAINS INFORMATION THAT IS PROPRIETARY TO MOLEX INCORPORATED AND SHOULD NOT BE USED WITHOUT WRITTEN PERMISSION	