



Chipsmall Limited consists of a professional team with an average of over 10 year of expertise in the distribution of electronic components. Based in Hongkong, we have already established firm and mutual-benefit business relationships with customers from,Europe,America and south Asia,supplying obsolete and hard-to-find components to meet their specific needs.

With the principle of “Quality Parts,Customers Priority,Honest Operation,and Considerate Service”,our business mainly focus on the distribution of electronic components. Line cards we deal with include Microchip,ALPS,ROHM,Xilinx,Pulse,ON,Everlight and Freescale. Main products comprise IC,Modules,Potentiometer,IC Socket,Relay,Connector.Our parts cover such applications as commercial,industrial, and automotives areas.

We are looking forward to setting up business relationship with you and hope to provide you with the best service and solution. Let us make a better world for our industry!



Contact us

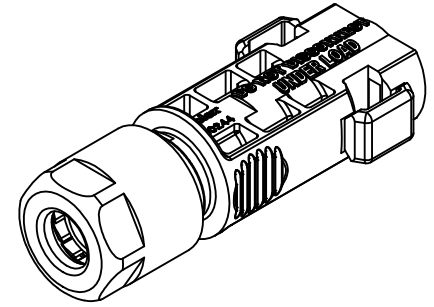
Tel: +86-755-8981 8866 Fax: +86-755-8427 6832

Email & Skype: info@chipsmall.com Web: www.chipsmall.com

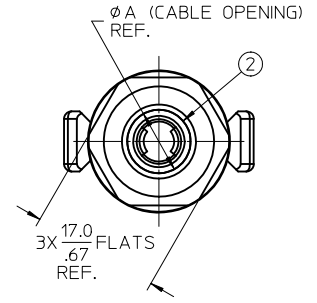
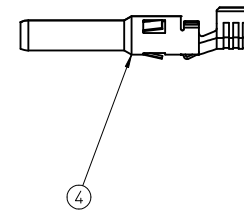
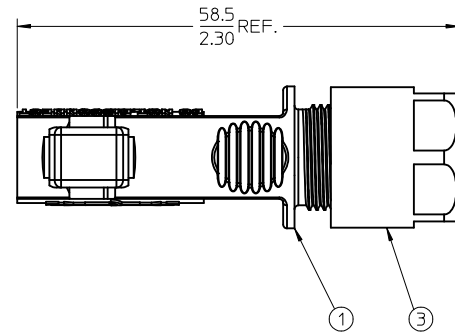
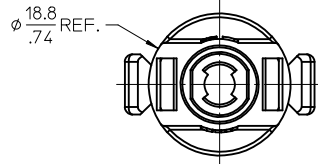
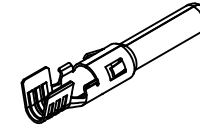
Address: A1208, Overseas Decoration Building, #122 Zhenhua RD., Futian, Shenzhen, China



1302441204	2.5 mm ² / 14 AWG	5.8-6.7 / .23-.26	7.0 / .28
1302441202	4.0-6.0 mm ² / 12-10 AWG	6.7-7.8 / .26-.31	8.4 / .33
MATERIAL NO.	CABLE SIZE	CABLE Ø RANGE	DIM. "A"



12-10 AWG SHOWN



- NOTES:
1. MATERIALS: SEE TABLE
 2. FINISHES: SEE TABLE
 3. PRODUCT SPECIFICATION: PS-130244-001
 4. PACKAGING SPECIFICATION: PK-130244-022
 5. MATES WITH: 1302441201 OR 1302441203
 6. ASSEMBLY IS ROHS COMPLIANT.
 7. 5 ASSEMBLIES PER KIT.

ITEM	QTY	DESCRIPTION	MATERIAL	FINISH
4	1	CONTACT, PIN	COPPER ALLOY	SELECTIVE SILVER
3	1	CABLE RETENTION NUT	POLYCARBONATE (PC)	BLACK
2	1	CABLE GROMMET	SILICONE	TRANSLUCENT
1	1	PIN HOUSING	POLYCARBONATE (PC)	BLACK

PRELIMINARY EC NO: WNA2011-0336 DRAWN: CLYORK CHKD: DTITUS APPR: DTITUS	2010/12/15	DESCRIPTION 2010/12/17	QUALITY SYMBOLS
			▽=0
			▽=0

GENERAL TOLERANCES (UNLESS SPECIFIED)	
	mm INCH
4 PLACES	± .13 ± .010
3 PLACES	± .05 ± .005
2 PLACES	± .05 ± .005
1 PLACE	± .25 ± .010
ANGULAR ± 2 °	
DRAFT WHERE APPLICABLE MUST REMAIN WITHIN DIMENSIONS	

DIMENSION STYLE	
MM/IN	
DRAWN BY	DATE
CYORK	2010/08/13
CHECKED BY	DATE
DTITUS	2010/08/13
APPROVED BY	DATE
DTITUS	2010/12/06
MATERIAL NO.	
SEE CHART	
SIZE	
THIS DRAWING CONTAINS INFORMATION THAT IS PROPRIETARY TO MOLEX INCORPORATED AND SHOULD NOT BE USED WITHOUT WRITTEN PERMISSION	

SCALE	DESIGN UNITS	THIRD ANGLE PROJECTION
2:1	METRIC	
TITLE		
PIN ASSEMBLY KIT, PV SOLAR DC CONNECTOR, 14-10 AWG		
MOLEX MOLEX INCORPORATED		
DOCUMENT NO.	SHEET NO.	
SD-130244-022	1 OF 1	