



Chipsmall Limited consists of a professional team with an average of over 10 year of expertise in the distribution of electronic components. Based in Hongkong, we have already established firm and mutual-benefit business relationships with customers from,Europe,America and south Asia,supplying obsolete and hard-to-find components to meet their specific needs.

With the principle of “Quality Parts,Customers Priority,Honest Operation,and Considerate Service”,our business mainly focus on the distribution of electronic components. Line cards we deal with include Microchip,ALPS,ROHM,Xilinx,Pulse,ON,Everlight and Freescale. Main products comprise IC,Modules,Potentiometer,IC Socket,Relay,Connector.Our parts cover such applications as commercial,industrial, and automotives areas.

We are looking forward to setting up business relationship with you and hope to provide you with the best service and solution. Let us make a better world for our industry!



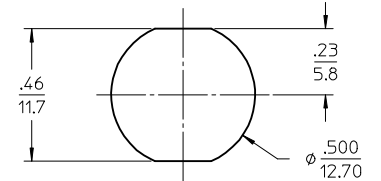
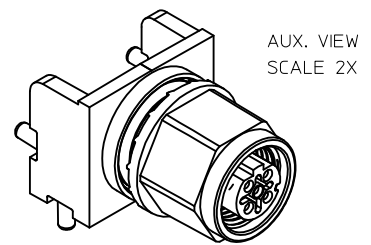
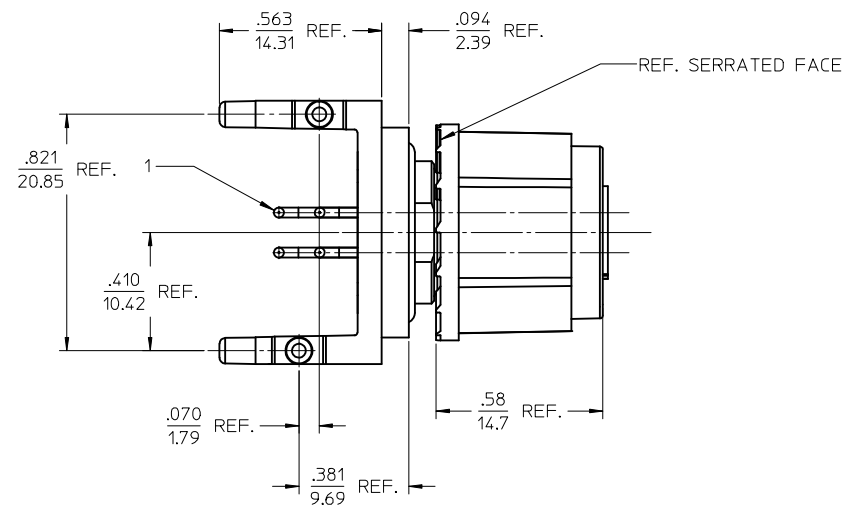
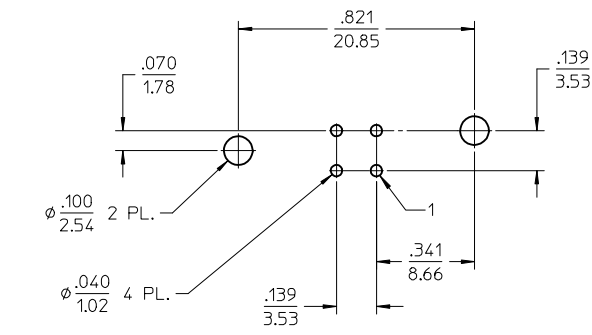
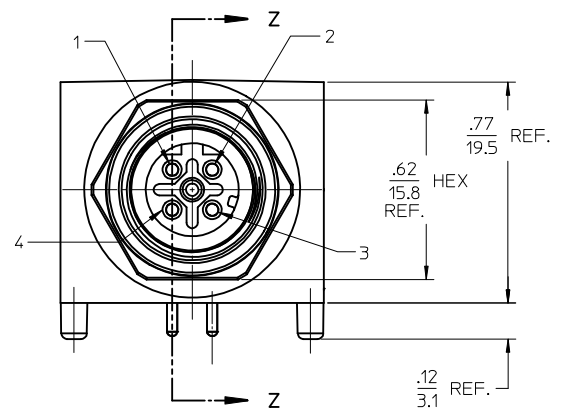
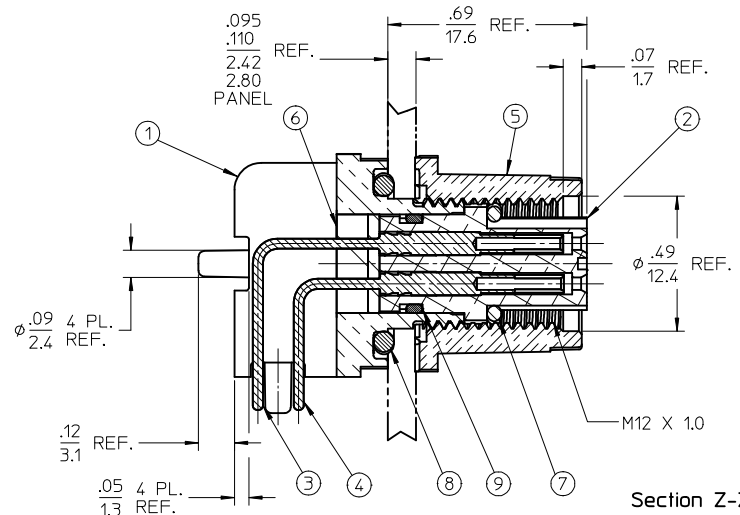
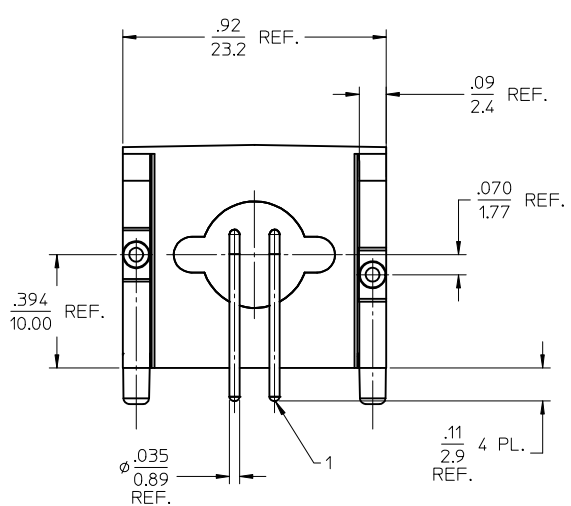
Contact us

Tel: +86-755-8981 8866 Fax: +86-755-8427 6832

Email & Skype: info@chipsmall.com Web: www.chipsmall.com

Address: A1208, Overseas Decoration Building, #122 Zhenhua RD., Futian, Shenzhen, China





- NOTES:
1. MATERIAL: SEE TABLE
 2. FINISHES: SEE TABLE
 3. PRODUCT SPEC: PS-130299-001
 4. PACKAGING: PK-130299-001
 5. MATES WITH: MALE D-CODE CABLE ASSEMBLY
 6. ELECTRICAL SPECS:
VOLTAGE: 250V AC/DC
CURRENT: 4 AMPS
 7. PROTECTION: IP67
 8. ASSEMBLY IS RoHS COMPLIANT

ITEM	QTY.	DESCRIPTION	MATERIAL	FINISH
9	1	INSULATOR O-RING	VITON	BROWN
8	1	PANEL O-RING	VITON	RED
7	1	MATING O-RING	VITON	RED
6	A/R	POTTING COMPOUND	EPOXY	BLACK
5	1	PANEL NUT	ZINC (DIE-CAST)	CHROME/DUPLEX NICKEL
4	2	CONTACT SOCKET SHORT	BRASS	GOLD PLATED
3	2	CONTACT SOCKET, LONG	BRASS	GOLD PLATED
2	1	4/C D-CODE INSULATOR	PUR	BLACK
1	1	RECEPTACLE SHELL, M12	ZINC (DIE-CAST)	WHITE BRONZE PLATING

POTTING WAS RED
EC NO: IPG2017-0514
DRAWN: BRZOWSKI 2016/11/21
CHKD:
APPR: APATEL 2016/12/05

QUALITY SYMBOLS	GENERAL TOLERANCES (UNLESS SPECIFIED)
▽=0	mm INCH
▽=0	4 PLACES ± --- ± ---
	3 PLACES ± --- ± .005
	2 PLACES ± .13 ± .01
	1 PLACE ± 0.3 ± ---
	ANGULAR ± 2 °

DIMENSION STYLE		SCALE		DESIGN UNITS		THIRD ANGLE PROJECTION	
IN/MM		3:1		INCH		THIRD ANGLE PROJECTION	
DRAWN BY	DATE	TITLE				MIC PCB RECEPTACLE 4C, D-CODE, 90 DEG	
RSTONE	2010/05/17	MOLEX INCORPORATED				SD-130299-005	
CHECKED BY	DATE	DOCUMENT NO.				SHEET NO.	
K. JOZWIK	2010/05/25	SEE CHART				1 OF 1	
APPROVED BY	DATE	THIS DRAWING CONTAINS INFORMATION THAT IS PROPRIETARY TO MOLEX INCORPORATED AND SHOULD NOT BE USED WITHOUT WRITTEN PERMISSION					
JFMURPHY	2010/05/20						