



Chipsmall Limited consists of a professional team with an average of over 10 year of expertise in the distribution of electronic components. Based in Hongkong, we have already established firm and mutual-benefit business relationships with customers from,Europe,America and south Asia,supplying obsolete and hard-to-find components to meet their specific needs.

With the principle of “Quality Parts,Customers Priority,Honest Operation,and Considerate Service”,our business mainly focus on the distribution of electronic components. Line cards we deal with include Microchip,ALPS,ROHM,Xilinx,Pulse,ON,Everlight and Freescale. Main products comprise IC,Modules,Potentiometer,IC Socket,Relay,Connector.Our parts cover such applications as commercial,industrial, and automotives areas.

We are looking forward to setting up business relationship with you and hope to provide you with the best service and solution. Let us make a better world for our industry!



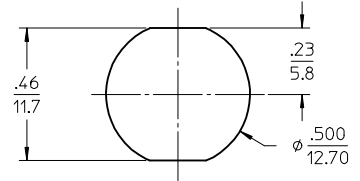
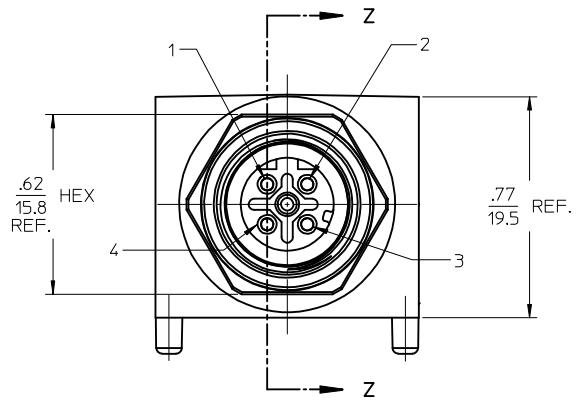
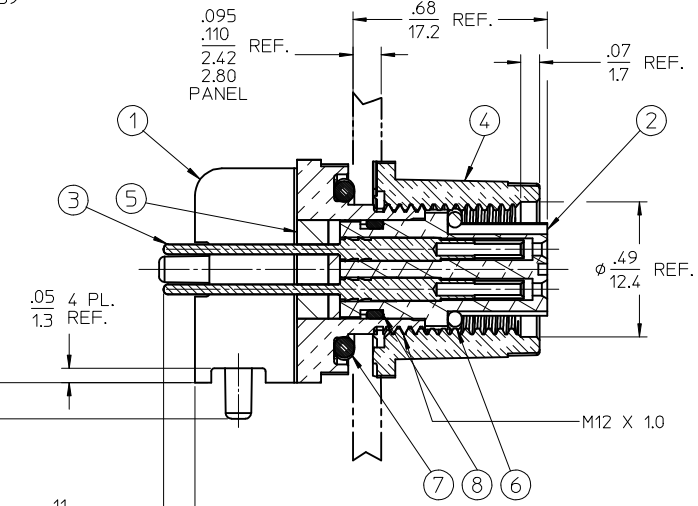
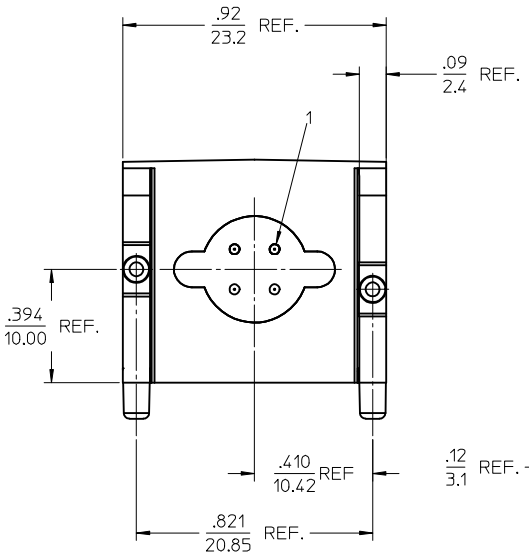
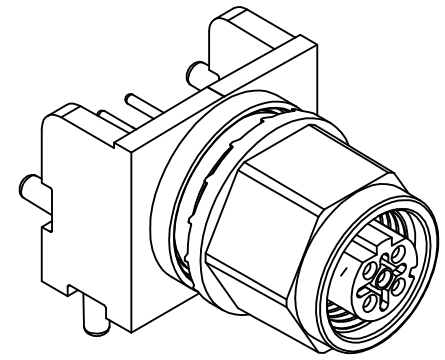
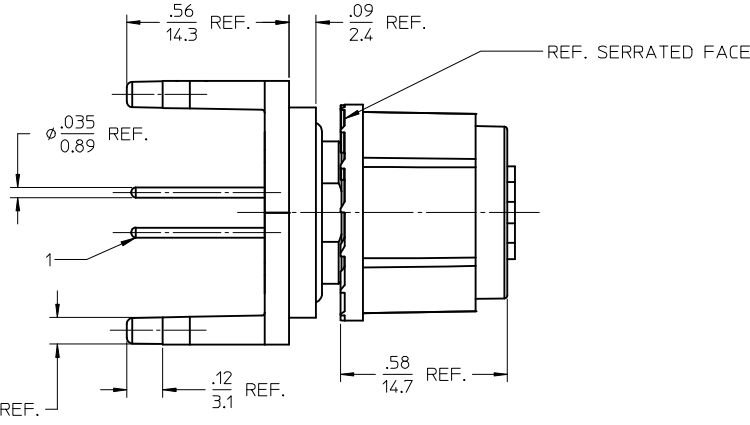
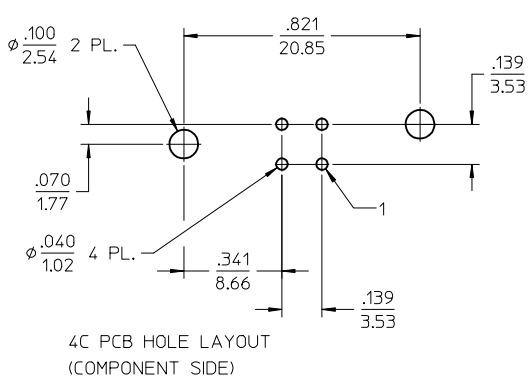
## Contact us

Tel: +86-755-8981 8866 Fax: +86-755-8427 6832

Email & Skype: info@chipsmall.com Web: www.chipsmall.com

Address: A1208, Overseas Decoration Building, #122 Zhenhua RD., Futian, Shenzhen, China





- NOTES:
1. MATERIAL: SEE TABLE
  2. FINISHES: SEE TABLE
  3. PRODUCT SPEC: PS-130299-001
  4. PACKAGING: PK-130299-001
  5. MATES WITH: MALE D-CODE CABLE ASSEMBLY
  6. ELECTRICAL SPECS:  
VOLTAGE: 250V AC/DC  
CURRENT: 4 AMPS
  7. PROTECTION: IP67
  8. ASSEMBLY IS RoHS COMPLIANT

ITEM	QTY.	DESCRIPTION	MATERIAL	FINISH
8	1	INSULATOR O-RING	VITON	BROWN
7	1	PANEL O-RING	VITON	RED
6	1	MATING O-RING	VITON	RED
5	A/R	POTTING COMPOUND	EPOXY	BLACK
4	1	PANEL NUT	ZINC (DIE-CAST)	CHROME/DUPLEX NICKEL
3	4	CONTACT SOCKET	BRASS	GOLD PLATED
2	1	4/C D-CODE INSULATOR	PUR	BLACK
1	1	RECEPTACLE SHELL, M12	ZINC (DIE-CAST)	WHITE BRONZE PLATING

POTTING WAS RED EC NO: IPG2017-0514 DRWINBRZOWSKI 2016/11/21 CHKD: APPR:APATEL 2016/12/05	QUALITY SYMBOLS
	DESCRIPTION
	REV
	D

GENERAL TOLERANCES (UNLESS SPECIFIED)	
mm	INCH
4 PLACES ± .005	± .0005
3 PLACES ± .010	± .0010
2 PLACES ± .013	± .0013
1 PLACE ± .030	± .0030
ANGULAR ± 2°	
DRAFT WHERE APPLICABLE MUST REMAIN WITHIN DIMENSIONS	

DIMENSION STYLE	
IN/MM	
DRAWN BY	DATE
RSTONE	2010/05/17
CHECKED BY	DATE
K. JOZWIK	2010/05/25
APPROVED BY	DATE
JFMURPHY	2010/05/20
MATERIAL NO.	
SEE CHART	
SIZE	
C	

SCALE	DESIGN UNITS	THIRD ANGLE PROJECTION
3:1	INCH	
TITLE		
MIC PCB RECEPTACLE 4C, D-CODE, STRAIGHT		
MOLEX INCORPORATED		SHEET NO.
SD-130299-006		1 OF 1
THIS DRAWING CONTAINS INFORMATION THAT IS PROPRIETARY TO MOLEX INCORPORATED AND SHOULD NOT BE USED WITHOUT WRITTEN PERMISSION		