



Chipsmall Limited consists of a professional team with an average of over 10 year of expertise in the distribution of electronic components. Based in Hongkong, we have already established firm and mutual-benefit business relationships with customers from,Europe,America and south Asia,supplying obsolete and hard-to-find components to meet their specific needs.

With the principle of “Quality Parts,Customers Priority,Honest Operation,and Considerate Service”,our business mainly focus on the distribution of electronic components. Line cards we deal with include Microchip,ALPS,ROHM,Xilinx,Pulse,ON,Everlight and Freescale. Main products comprise IC,Modules,Potentiometer,IC Socket,Relay,Connector.Our parts cover such applications as commercial,industrial, and automotives areas.

We are looking forward to setting up business relationship with you and hope to provide you with the best service and solution. Let us make a better world for our industry!



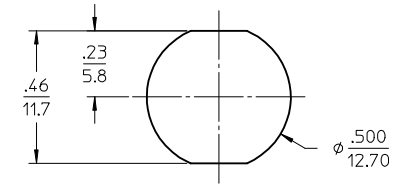
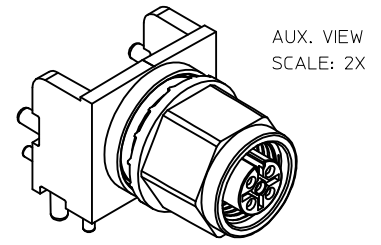
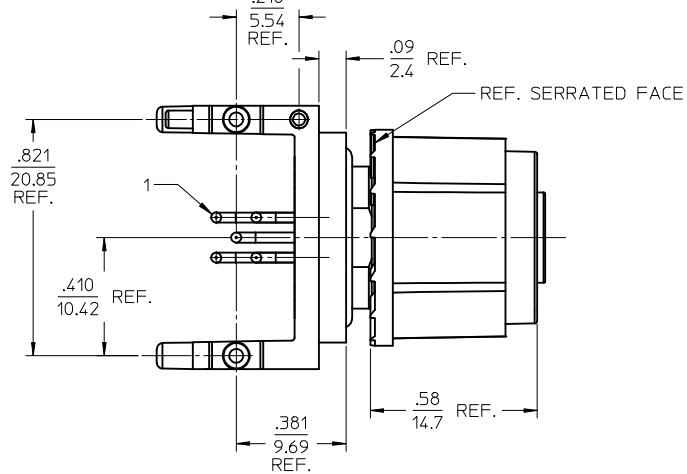
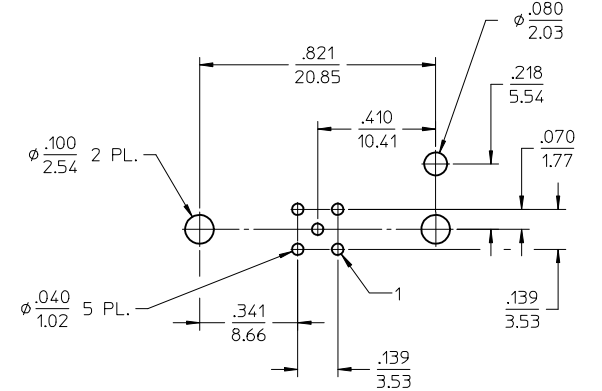
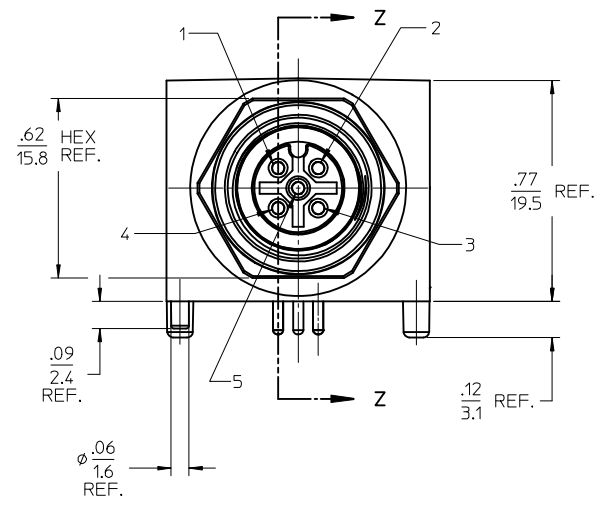
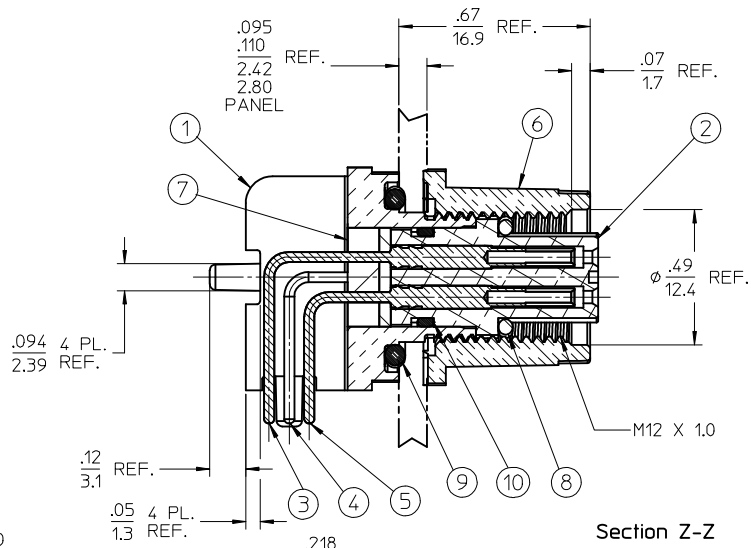
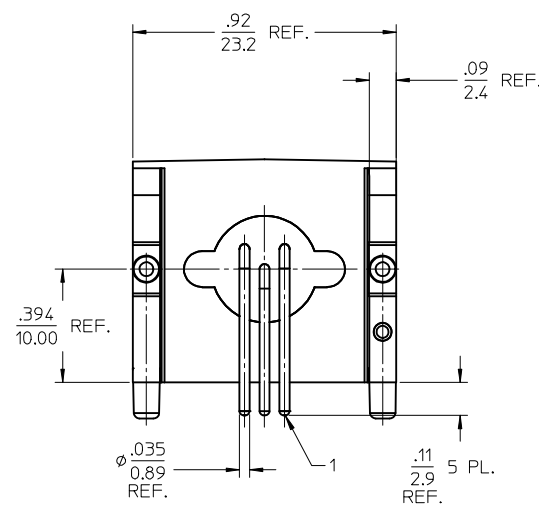
Contact us

Tel: +86-755-8981 8866 Fax: +86-755-8427 6832

Email & Skype: info@chipsmall.com Web: www.chipsmall.com

Address: A1208, Overseas Decoration Building, #122 Zhenhua RD., Futian, Shenzhen, China





NOTES:
 1. MATERIAL: SEE TABLE
 2. FINISHES: SEE TABLE
 3. PRODUCT SPEC: PS-130299-001
 4. PACKAGING: PK-130299-001
 5. MATES WITH: MALE A-CODE CABLE ASSEMBLY
 6. ELECTRICAL SPECS:
 VOLTAGE: 250V AC/DC
 CURRENT: 4 AMPS
 7. PROTECTION: IP67
 8. ASSEMBLY IS RoHS COMPLIANT

5C PCB HOLE LAYOUT
(COMPONENT SIDE)

10	1	INSULATOR O-RING	VITON	BROWN
9	1	PANEL O-RING	VITON	RED
8	1	MATING O-RING	VITON	RED
7	A/R	POTTING COMPOUND	EPOXY	BLACK
6	1	PANEL NUT	ZINC (DIE-CAST)	CHROME/DUPLEX NICKEL
5	2	CONTACT SOCKET BOTTOM	BRASS	GOLD PLATED
4	1	CONTACT SOCKET, MIDDLE	BRASS	GOLD PLATED
3	2	CONTACT SOCKET, TOP	BRASS	GOLD PLATED
2	1	5/C A-CODE INSULATOR	PUR	BLACK
1	1	RECEPTACLE SHELL, M12	ZINC (DIE-CAST)	WHITE BRONZE PLATING
ITEM	QTY.	DESCRIPTION	MATERIAL	FINISH

POTTING WAS RED
 EC NO: IPG2017-0514
 DRWINBRZOWSKI 2016/11/21
 CHKD:
 APPR:APATEL 2016/12/05

QUALITY SYMBOLS
 ▽=0
 ▽=0

GENERAL TOLERANCES (UNLESS SPECIFIED)

	mm	INCH
4 PLACES	± .005	± .0005
3 PLACES	± .005	± .0005
2 PLACES	± .013	± .0010
1 PLACE	± 0.3	± .0125

ANGULAR ± 2°

DRAFT WHERE APPLICABLE
 MUST REMAIN
 WITHIN DIMENSIONS

DIMENSION STYLE
 IN/MM

DRAWN BY
 RSTONE

DATE
 2010/05/17

CHECKED BY
 K. JOZWIK

DATE
 2010/05/25

APPROVED BY
 JFMURPHY

DATE
 2010/05/20

MATERIAL NO.
 SEE CHART

SCALE
 3:1

DESIGN UNITS
 INCH

THIRD ANGLE PROJECTION

MIC PCB RECEPTACLE
 5/C, A-CODE, 90 DEG

MOLEX INCORPORATED

DOCUMENT NO.
 SD-130299-007

SHEET NO.
 1 OF 1

THIS DRAWING CONTAINS INFORMATION THAT IS PROPRIETARY TO MOLEX INCORPORATED AND SHOULD NOT BE USED WITHOUT WRITTEN PERMISSION