



Chipsmall Limited consists of a professional team with an average of over 10 year of expertise in the distribution of electronic components. Based in Hongkong, we have already established firm and mutual-benefit business relationships with customers from,Europe,America and south Asia,supplying obsolete and hard-to-find components to meet their specific needs.

With the principle of “Quality Parts,Customers Priority,Honest Operation,and Considerate Service”,our business mainly focus on the distribution of electronic components. Line cards we deal with include Microchip,ALPS,ROHM,Xilinx,Pulse,ON,Everlight and Freescale. Main products comprise IC,Modules,Potentiometer,IC Socket,Relay,Connector.Our parts cover such applications as commercial,industrial, and automotives areas.

We are looking forward to setting up business relationship with you and hope to provide you with the best service and solution. Let us make a better world for our industry!



Contact us

Tel: +86-755-8981 8866 Fax: +86-755-8427 6832

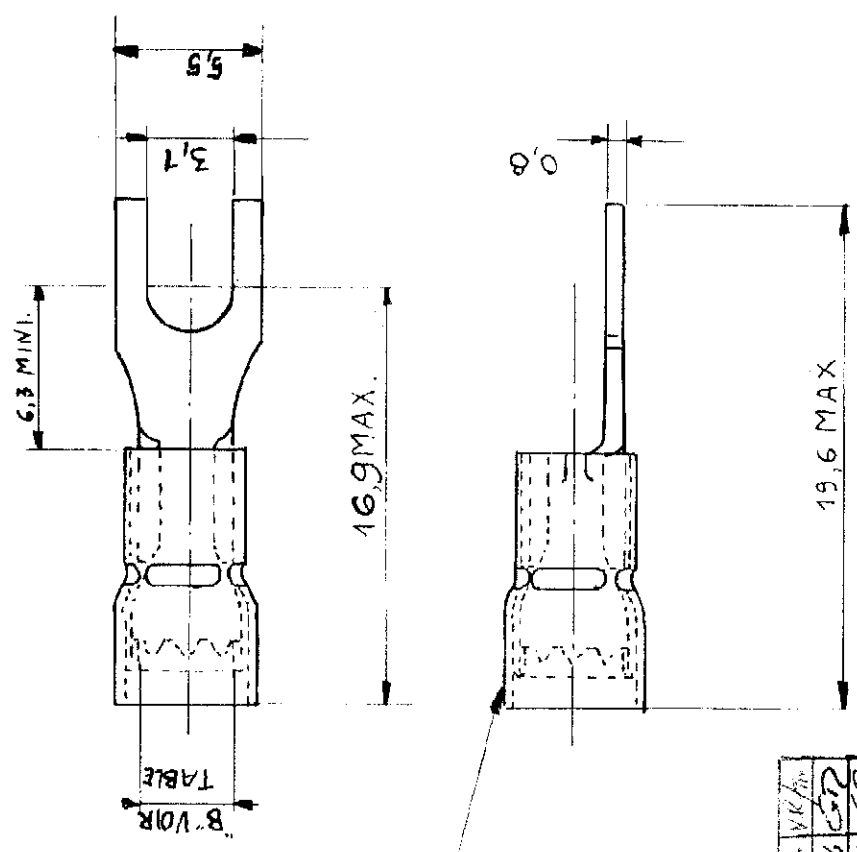
Email & Skype: info@chipsmall.com Web: www.chipsmall.com

Address: A1208, Overseas Decoration Building, #122 Zhenhua RD., Futian, Shenzhen, China



C 130 521

DIMENSIONS IN mm. DO NOT SCALE PRINT



ISOLANT ROUGE

REV	REVISIONS	DATE	BY
B1	REV. PER ECN 06-024806	10/06	VK/m
B	Revised	03/96	GP
A	Ajouté 130521-1	10/84	GP
A	16,9 dédit 103 717	14.5.74	GP

130521-1	4
130521	3,3
N° ASSEMB.	"B"

<p>CUSTOMER PRINT FOR REFERENCE ONLY</p> <p>© 1959 BY AMP INCORPORATED. ALL RIGHTS RESERVED. AMP PRODUCTS COVERED BY PATENTS AND/OR PATENTS PENDING.</p>		<p>ITEM NO.</p>	
<p>REQUIRED PER ASSEMBLY</p> <p>-9 -8 -7 -6 -5 -4 -3 -2 -1</p>		<p>NAME</p> <p>RECUIT</p>	
<p>DESCRIPTION</p>		<p>FINISH</p> <p>E T A M E</p>	
<p>AMP</p> <p>AMP DEFERENCE</p> <p>TOL: ±0.2</p> <p>STEE: 4.1</p> <p>WIRE SIZE: 22-16</p>		<p>DR. MASSIEUX 17.10.53</p> <p>DATE REL</p>	
<p>TYPE: BS</p> <p>PIDG</p> <p>CMA</p> <p>MAX</p> <p>MIN</p>		<p>DATE FIRST USED</p>	
<p>PRINT DIST: F</p> <p>LOC: F</p> <p>SIZE: A</p> <p>NUMBER: C130521</p> <p>REV: B1</p>		<p>REMARKS</p> <p>N° ASSEMB. "B"</p>	
<p>4.1</p>		<p>OSSE A FOURCHE</p>	