



Chipsmall Limited consists of a professional team with an average of over 10 year of expertise in the distribution of electronic components. Based in Hongkong, we have already established firm and mutual-benefit business relationships with customers from,Europe,America and south Asia,supplying obsolete and hard-to-find components to meet their specific needs.

With the principle of “Quality Parts,Customers Priority,Honest Operation,and Considerate Service”,our business mainly focus on the distribution of electronic components. Line cards we deal with include Microchip,ALPS,ROHM,Xilinx,Pulse,ON,Everlight and Freescale. Main products comprise IC,Modules,Potentiometer,IC Socket,Relay,Connector.Our parts cover such applications as commercial,industrial, and automotives areas.

We are looking forward to setting up business relationship with you and hope to provide you with the best service and solution. Let us make a better world for our industry!



## Contact us

Tel: +86-755-8981 8866 Fax: +86-755-8427 6832

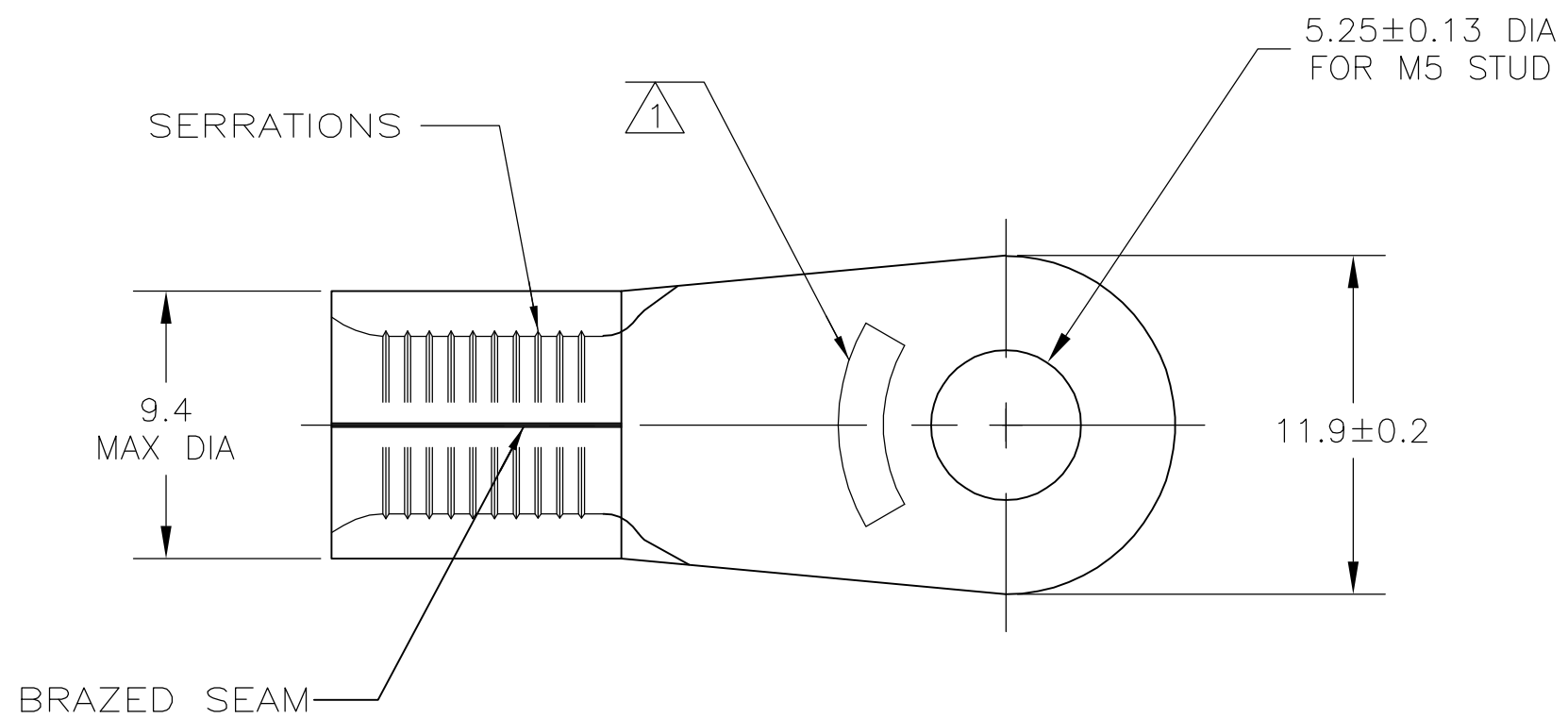
Email & Skype: info@chipsmall.com Web: www.chipsmall.com

Address: A1208, Overseas Decoration Building, #122 Zhenhua RD., Futian, Shenzhen, China



THIS DRAWING IS UNPUBLISHED. RELEASED FOR PUBLICATION  
 © COPYRIGHT BY TYCO ELECTRONICS CORPORATION. ALL RIGHTS RESERVED.

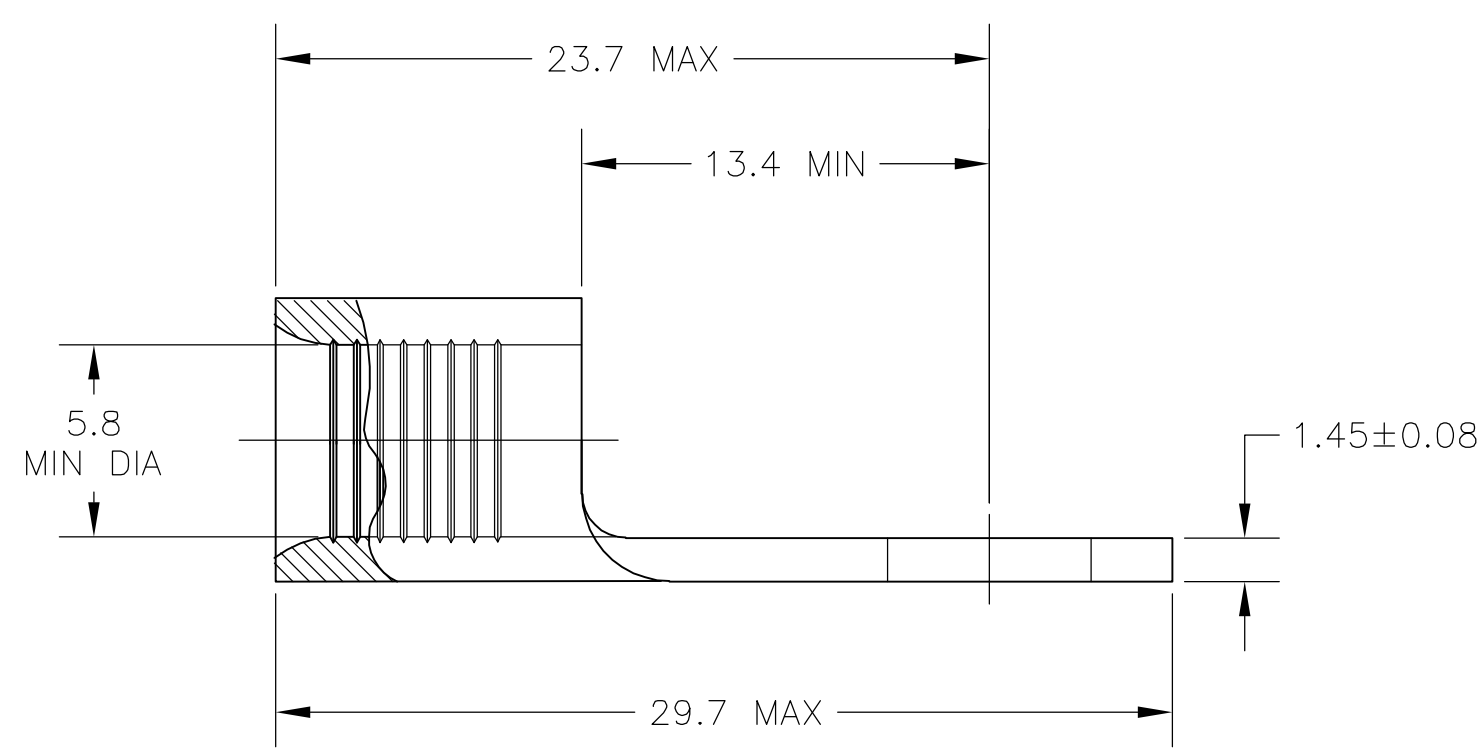
LOC	DIST	REVISIONS					
		P	LTR	DESCRIPTION	DATE	DWN	APVD
G	14	A		REDRAWN PER ECR 05-010490	08SEP05	JR	TM



**AMP**  
WIRE RANGE

6 AWG  
SOLID OR STRANDED

- 1 STAMP AMP 6\* APPROX AS SHOWN
- 2 COPPER PER ASTM B-152, ANNEALED
- 3 MAX OPERATING TEMP IS 170°C
- 4 WIRE CROSS SECTIONAL AREA RANGE:  
10.5-16.8mm<sup>2</sup> [20,800-33,100] CIR MILS  
SOLID OR STRANDED WIRE



LOOSE PIECE	100	TIN PLATE 0.00254[.000100] MIN THK PER MIL-T-10727	130552
PACKAGE TYPE	QTY	FINISH	PART NO.

THIS DRAWING IS A CONTROLLED DOCUMENT.		DWN JR RUTH 08SEP05	<b>tyco</b> Tycos Electronics Corporation Harrisburg, Pa 17105-3608	
DIMENSIONS: mm <del>INCHES</del>		CHK T MICHIELUTTI 08SEP05	NAME T MICHIELUTTI	
TOLERANCES UNLESS OTHERWISE SPECIFIED:		APVD T MICHIELUTTI 08SEP05	PRODUCT SPEC	
0 PLC ± -		APPLICATION SPEC		
1 PLC ± -		-		
2 PLC ± -		-		
3 PLC ± -		-		
4 PLC ± -		-		
ANGLES ± -		-		
FINISH		WEIGHT		
SEE TABLE		-		
MATERIAL		SIZE A2		RESTRICTED TO
-		CAGE CODE 00779		-
		DRAWING NO C=130552		
		SCALE 4:1		
		SHEET 1 OF 1		
		REV A		

130552