



Chipsmall Limited consists of a professional team with an average of over 10 year of expertise in the distribution of electronic components. Based in Hongkong, we have already established firm and mutual-benefit business relationships with customers from,Europe,America and south Asia,supplying obsolete and hard-to-find components to meet their specific needs.

With the principle of “Quality Parts,Customers Priority,Honest Operation,and Considerate Service”,our business mainly focus on the distribution of electronic components. Line cards we deal with include Microchip,ALPS,ROHM,Xilinx,Pulse,ON,Everlight and Freescale. Main products comprise IC,Modules,Potentiometer,IC Socket,Relay,Connector.Our parts cover such applications as commercial,industrial, and automotives areas.

We are looking forward to setting up business relationship with you and hope to provide you with the best service and solution. Let us make a better world for our industry!



## Contact us

Tel: +86-755-8981 8866 Fax: +86-755-8427 6832

Email & Skype: info@chipsmall.com Web: www.chipsmall.com

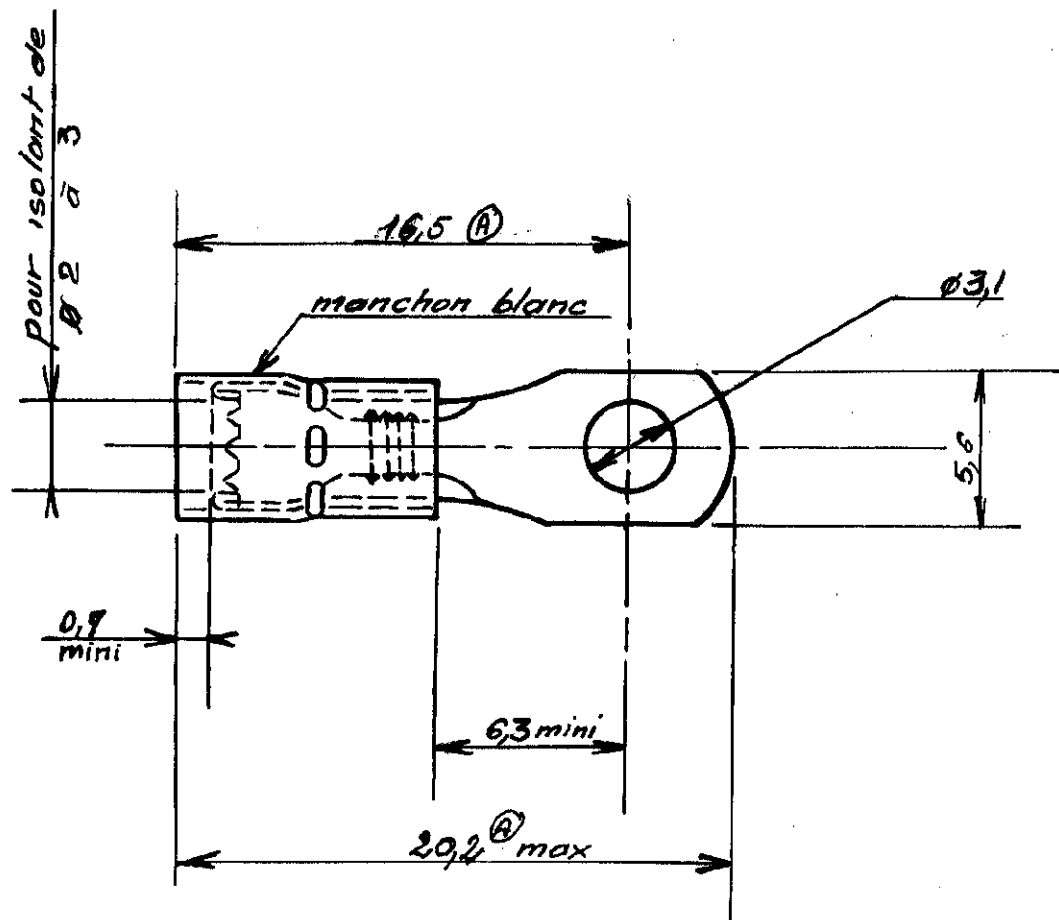
Address: A1208, Overseas Decoration Building, #122 Zhenhua RD., Futian, Shenzhen, China



NUMÉRO

C-130565

LES COTES SONT DONNÉES EN mm ET NE DOIVENT PAS ÊTRE RELEVÉES A L'ÉCHELLE SUR LE DESSIN.



© 1966 BY AMP INCORPORATED, ALL RIGHTS RESERVED. AMP PRODUCTS COVERED BY PATENTS AND/OR PATENTS PENDING.

DESSIN CLIENT  
UNIQUEMENT POUR RÉFÉRENCES

MATIÈRE ET FINITION  
Cuivre étamé  
Ep° 0,8

**AMP** AMP DE FRANCE SA.  
PONTOISE

B Revised GR 03/96

CLASSE  
Plage rectangulaire

A 20,2 était 15,5  
16,5 était 11,9 Max JM 1968

DIMENS-FIL ISOLANT TYPE  
0,25-1,6mm Voir dessin P.I.D.G.

IND CHANGEMENT DES VER DATE  
DESSINE M.J. 12-III-66 APPROUVE

TOLÉRANCES SAUF INDICATION ECHELLE LOC NO  
± 0,1 ± 1° 4-1 F A C-130 565

VÉRIFIÉ

REV B  
**COSSE A PLAGE RECTANGULAIRE**