



Chipsmall Limited consists of a professional team with an average of over 10 year of expertise in the distribution of electronic components. Based in Hongkong, we have already established firm and mutual-benefit business relationships with customers from,Europe,America and south Asia,supplying obsolete and hard-to-find components to meet their specific needs.

With the principle of "Quality Parts,Customers Priority,Honest Operation,and Considerate Service",our business mainly focus on the distribution of electronic components. Line cards we deal with include Microchip,ALPS,ROHM,Xilinx,Pulse,ON,Everlight and Freescale. Main products comprise IC,Modules,Potentiometer,IC Socket,Relay,Connector.Our parts cover such applications as commercial,industrial, and automotives areas.

We are looking forward to setting up business relationship with you and hope to provide you with the best service and solution. Let us make a better world for our industry!



## Contact us

Tel: +86-755-8981 8866 Fax: +86-755-8427 6832

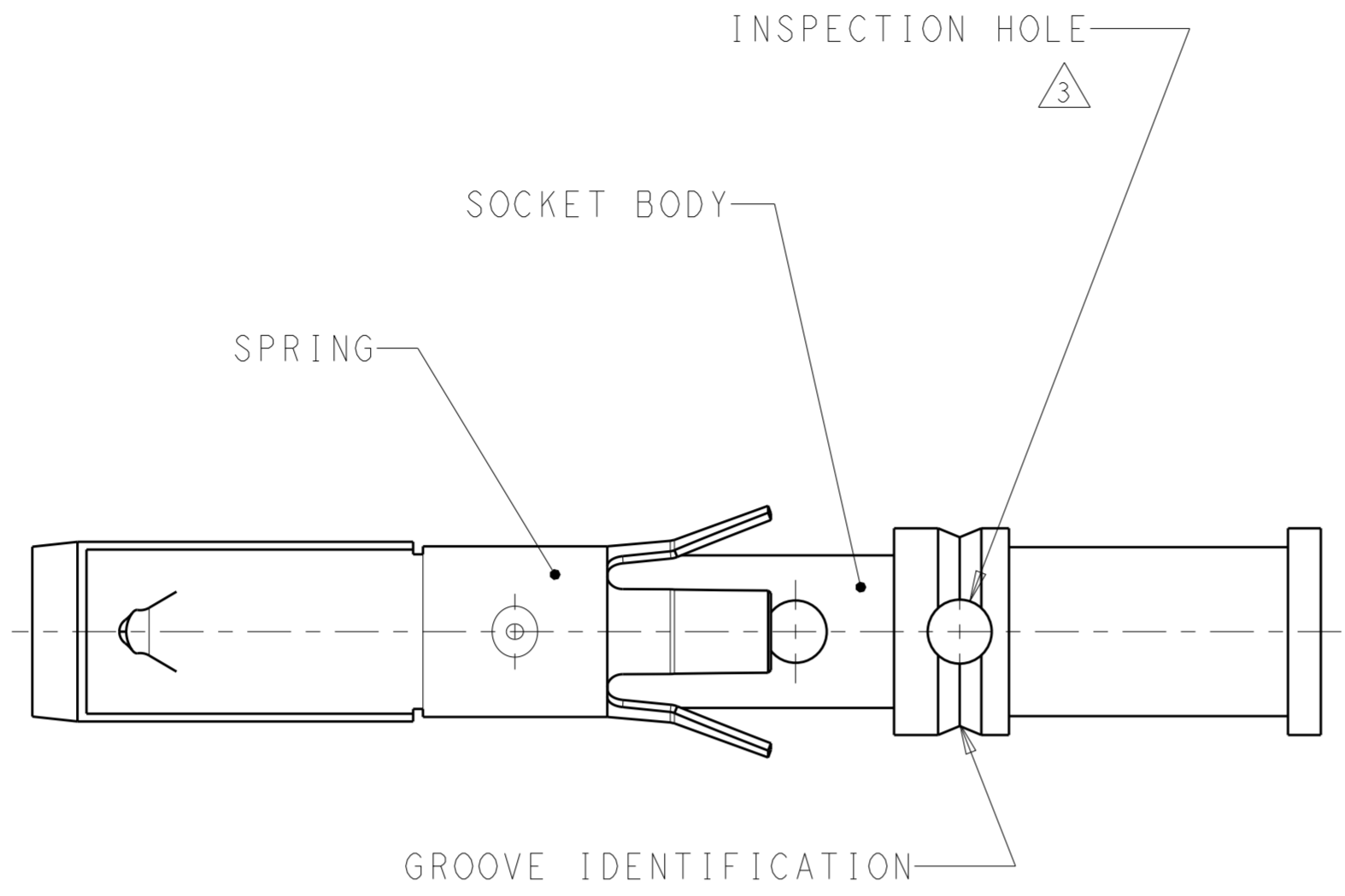
Email & Skype: info@chipsmall.com Web: www.chipsmall.com

Address: A1208, Overseas Decoration Building, #122 Zhenhua RD., Futian, Shenzhen, China

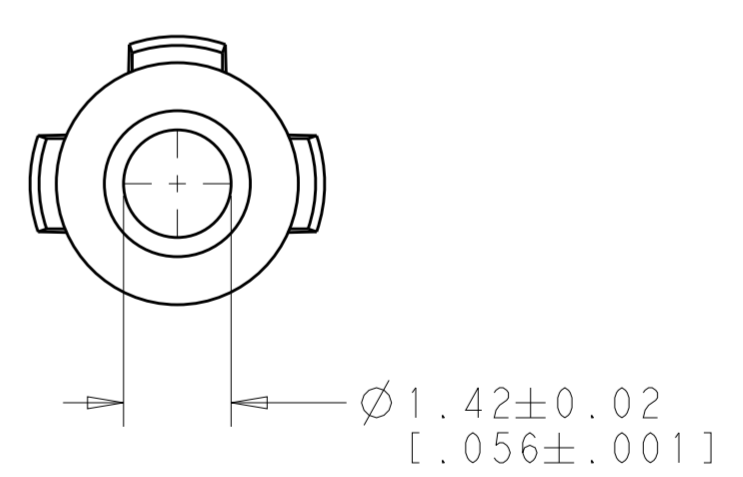
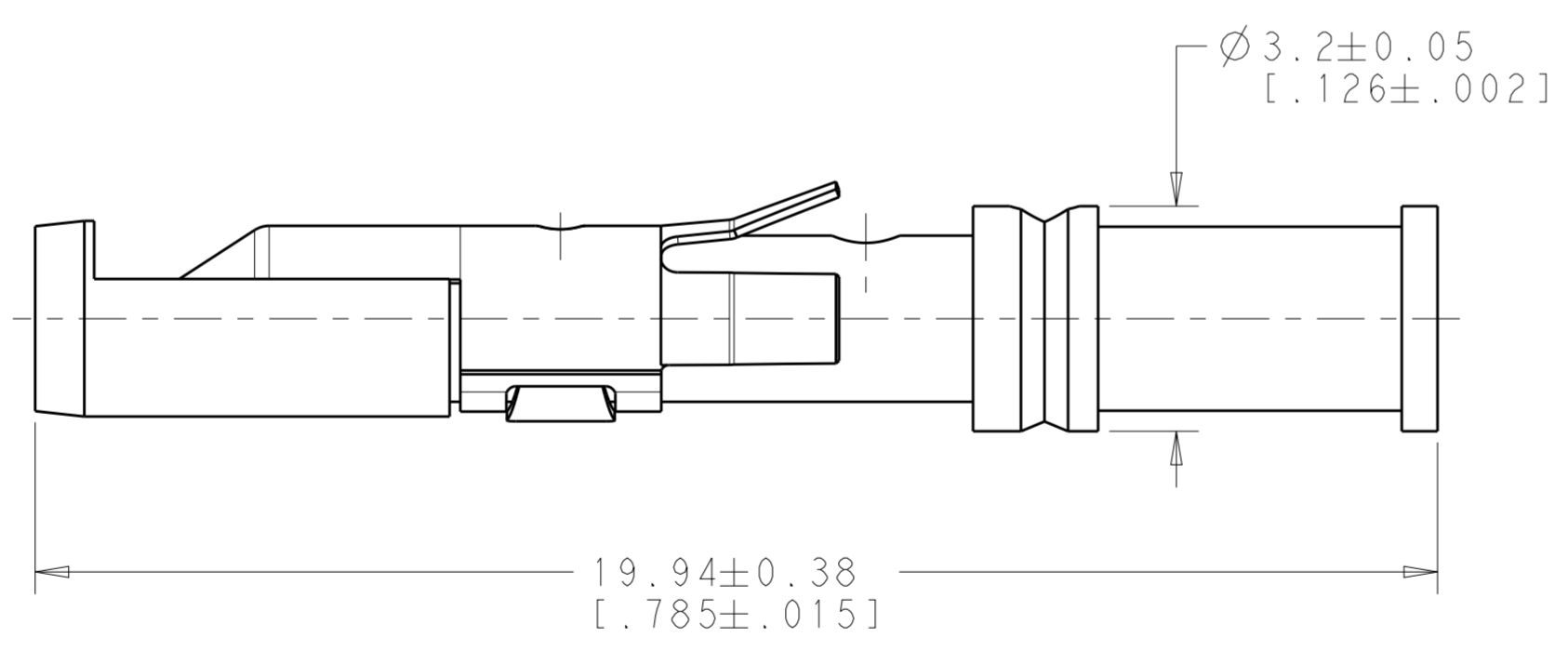
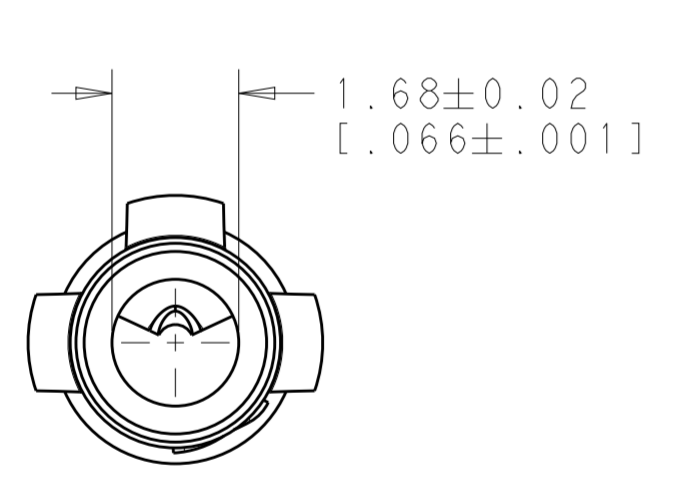


THIS DRAWING IS UNPUBLISHED. RELEASED FOR PUBLICATION 20  
 © COPYRIGHT 20 BY - ALL RIGHTS RESERVED.

LOC	DIST	REVISIONS			
P	LTR	DESCRIPTION	DATE	DWN	APVD
-	-	C	REDRAWN	03JUL2012	JT YP



- MATERIAL:  
 CONTACT BODY: COPPER ALLOY  
 SPRING: STAINLESS STEEL, PASSIVATED
- FINISH:  
 CONTACT BODY: GOLD OVER NICKEL
- NOT ORIENTED
- WIRE SIZE 0,30-0,89 mm<sup>2</sup> (AWG 22-18)  
 CRIMP WITH TOOL : 45098 OR 91539-1



130743-1  
 PART NUMBER

THIS DRAWING IS A CONTROLLED DOCUMENT.		DWN J. THUJEZ 03JUL2012	TE Connectivity	
DIMENSIONS: mm [INCHES]		CHK Y. PETRONIN 03JUL2012		
TOLERANCES UNLESS OTHERWISE SPECIFIED:		APVD Y. PETRONIN 03JUL2012	NAME CONTACT ASSEMBLY, SOCKET #16, LONG	
0 PLC ± 1 PLC ± 2 PLC ± 3 PLC ± 4 PLC ± ANGLES ± FINISH ±		PRODUCT SPEC -	RESTRICTED TO -	
MATERIAL		APPLICATION SPEC 114-10026	SIZE A200779	DRAWING NO C-130743
		WEIGHT 0.326 g	SCALE 10:1	SHEET 1 OF 1
		Customer Drawing	REV C	