



Chipsmall Limited consists of a professional team with an average of over 10 year of expertise in the distribution of electronic components. Based in Hongkong, we have already established firm and mutual-benefit business relationships with customers from,Europe,America and south Asia,supplying obsolete and hard-to-find components to meet their specific needs.

With the principle of “Quality Parts,Customers Priority,Honest Operation,and Considerate Service”,our business mainly focus on the distribution of electronic components. Line cards we deal with include Microchip,ALPS,ROHM,Xilinx,Pulse,ON,Everlight and Freescale. Main products comprise IC,Modules,Potentiometer,IC Socket,Relay,Connector.Our parts cover such applications as commercial,industrial, and automotives areas.

We are looking forward to setting up business relationship with you and hope to provide you with the best service and solution. Let us make a better world for our industry!



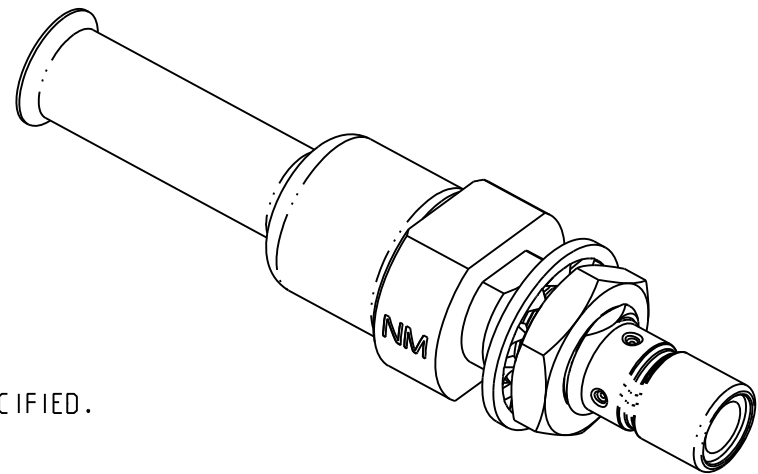
## Contact us

Tel: +86-755-8981 8866 Fax: +86-755-8427 6832

Email & Skype: info@chipsmall.com Web: www.chipsmall.com

Address: A1208, Overseas Decoration Building, #122 Zhenhua RD., Futian, Shenzhen, China





NOTES: UNLESS OTHERWISE SPECIFIED.

1. MATERIAL & FINISH:

- 1.1 BODY & NUT: (131-9303-401) GOLD PLATED COPPER ALLOY  
(131-9303-404) SILVER PLATED COPPER ALLOY
- 1.2 CRIMP SLEEVE: (131-9303-401) GOLD PLATED COPPER  
(131-9303-404) SILVER PLATED COPPER
- 1.3 INSULATOR: PTFE (TEFLON)
- 1.4 CENTER CONTACT:  
(131-9303-401) GOLD PLATED COPPER ALLOY  
(131-9303-404) SILVER PLATED COPPER ALLOY
- 1.5 LOCK WASHER: (131-9303-401) GOLD PLATED PHOSPHOR BRONZE  
(131-9303-404) SILVER PLATED PHOSPHOR BRONZE

2. ELECTRICAL SPECIFICATIONS:

- 2.1 IMPEDANCE: 50 OHMS
- 2.2 FREQUENCY RANGE: 0 - 4 GHz
- 2.3 VSWR:  $1.25 \pm .04$  F (F IN GHz) (50 OHM CABLE ONLY)
- 2.4 WORKING VOLTAGE: 335 VRMS MAX AT SEA LEVEL
- 2.5 DIELECTRIC WITHSTANDING VOLTAGE: 1000 VRMS MIN AT SEA LEVEL
- 2.6 INSULATION RESISTANCE: 1000 MEGOHM MIN
- 2.7 CONTACT RESISTANCE:  
CENTER CONTACT - INITIAL 6 MILLIOHM MAX, AFTER ENVIRONMENTAL 8 MILLIOHM MAX  
OUTER CONDUCTOR - INITIAL 1 MILLIOHM MAX, AFTER ENVIRONMENTAL 1.5 MILLIOHM MAX  
BRAID TO BODY - INITIAL 1 MILLIOHM MAX, AFTER ENVIRONMENTAL NOT APPLICABLE
- 2.8 CORONA LEVEL: 250 VOLTS MIN AT 70,000 FEET
- 2.9 INSERTION LOSS: .30 dB MAX AT 1.5 GHz (50 OHM CABLE ONLY)
- 2.10 RF LEAKAGE: -55 dB MIN AT 2.5 GHz (50 OHM CABLE ONLY)
- 2.11 RF HIGH POTENTIAL WITHSTANDING VOLTAGE: 700 VRMS AT 4 AND 7 MHz

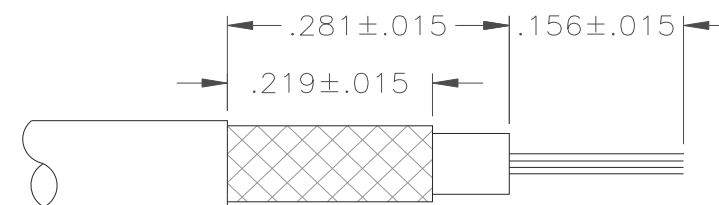
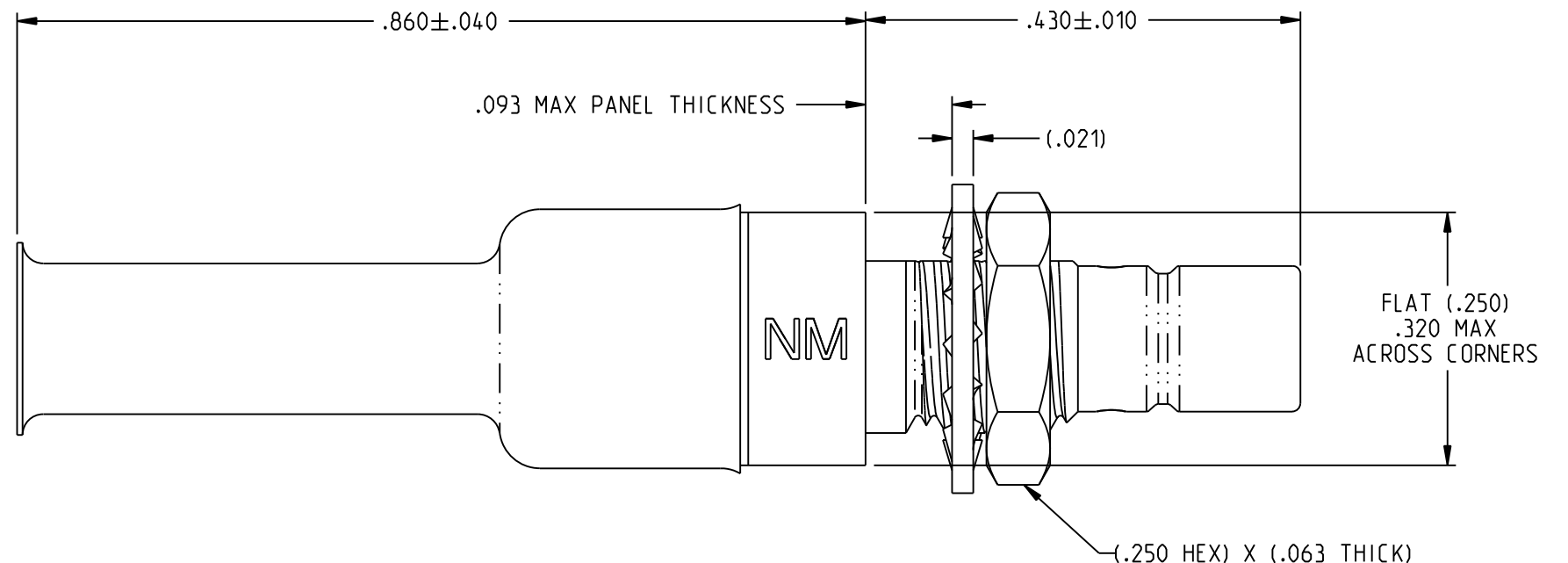
3. MECHANICAL SPECIFICATIONS:

- 3.1 ENGAGE/DISENGAGE FORCE: 14 LBS MAX, AFTER DURABILITY 14 LBS MAX ENGAGEMENT / 2 LBS MIN DISENGAGEMENT
- 3.2 CONTACT RETENTION : 4 LBS MIN AXIAL FORCE
- 3.3 CABLE ACCEPTABILITY: RG 188/U, RG 316/U, RG 179/U, RG 174/U, RG 161/U, RG 187/U
- 3.4 CABLE HEX CRIMP SIZE: 128
- 3.5 CONTACT CRIMP TOOL: P/N 141-0000-911
- 3.6 CABLE RETENTION: 20 LBS MIN OR CABLE BREAKING STRENGTH
- 3.7 DURABILITY: 500 CYCLES MIN

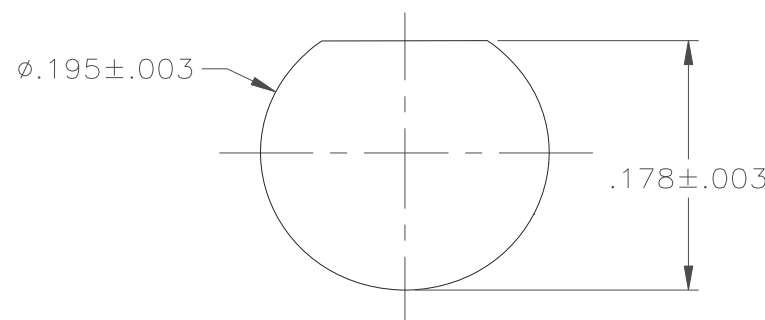
4. ENVIRONMENTAL:

- 4.1 (MEETS OR EXCEEDS THE APPLICABLE PARAGRAPH OF MIL-PRF-39012)
- 4.2 THERMAL SHOCK: MIL-STD-202, METHOD 107, CONDITION B
- 4.3 OPERATING TEMPERATURE: -65 DEG C TO 165 DEG C
- 4.4 CORROSION: MIL-STD-202, METHOD 101, CONDITION B
- 4.5 SHOCK: MIL-STD-202, METHOD 213, CONDITION B
- 4.6 VIBRATION: MIL STD-202, METHOD 204 CONDITION B

5. CONNECTOR MARKED "NM" FOR NON-MAGNETIC.



CABLE STRIP DIMENSIONS



MOUNTING HOLE LAYOUT

		<b>JOHNSON</b>	
	RoHS2 2011/65/EU	Title: JACK ASSY STR CABLED BULKHEAD SMB, RG 316 NON-MAGNETIC MCX	
This PROPRIETARY Document is property of Cinch Connectivity Solutions. It is confidential in nature, non-transferable, and issued with the clear understanding that it is not to be traced or copied without permission and is returnable upon demand.		Model No.	131-9303-401/410
INTERPRET DRAWING IN ACCORDANCE WITH ASME Y14.5-2009.		Size B	DO NOT SCALE DRAWING
		Date	8/05/2016
		Sheet	1 OF 1