



Chipsmall Limited consists of a professional team with an average of over 10 year of expertise in the distribution of electronic components. Based in Hongkong, we have already established firm and mutual-benefit business relationships with customers from,Europe,America and south Asia,supplying obsolete and hard-to-find components to meet their specific needs.

With the principle of “Quality Parts,Customers Priority,Honest Operation,and Considerate Service”,our business mainly focus on the distribution of electronic components. Line cards we deal with include Microchip,ALPS,ROHM,Xilinx,Pulse,ON,Everlight and Freescale. Main products comprise IC,Modules,Potentiometer,IC Socket,Relay,Connector.Our parts cover such applications as commercial,industrial, and automotives areas.

We are looking forward to setting up business relationship with you and hope to provide you with the best service and solution. Let us make a better world for our industry!



Contact us

Tel: +86-755-8981 8866 Fax: +86-755-8427 6832

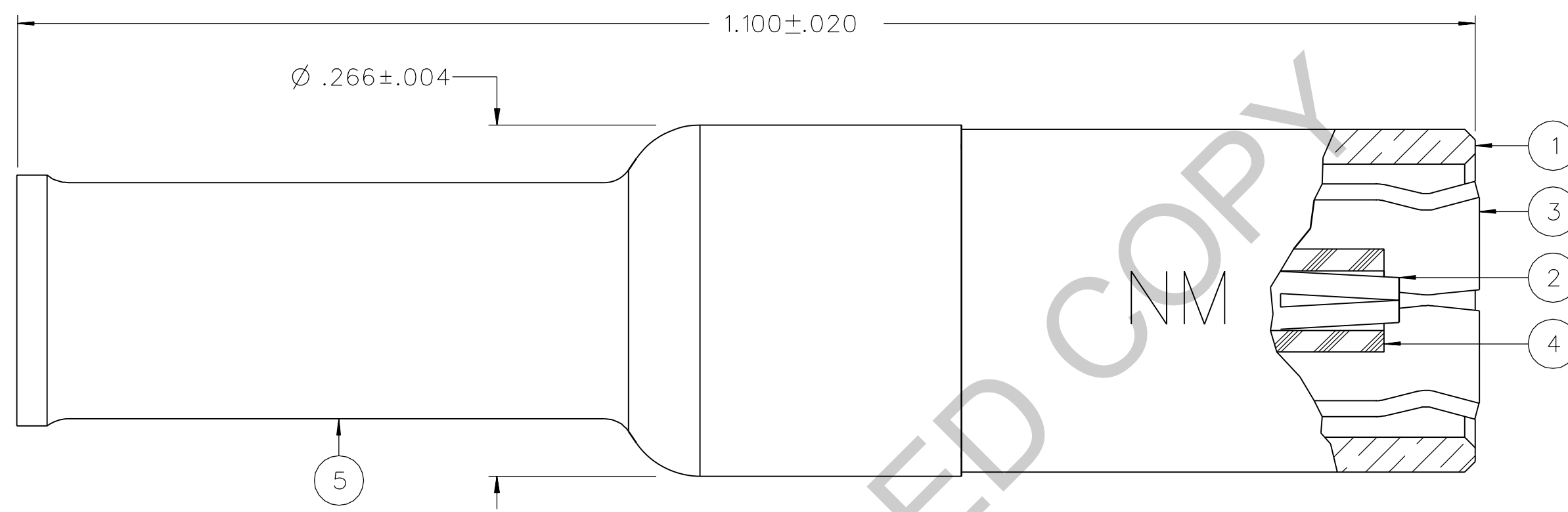
Email & Skype: info@chipsmall.com Web: www.chipsmall.com

Address: A1208, Overseas Decoration Building, #122 Zhenhua RD., Futian, Shenzhen, China



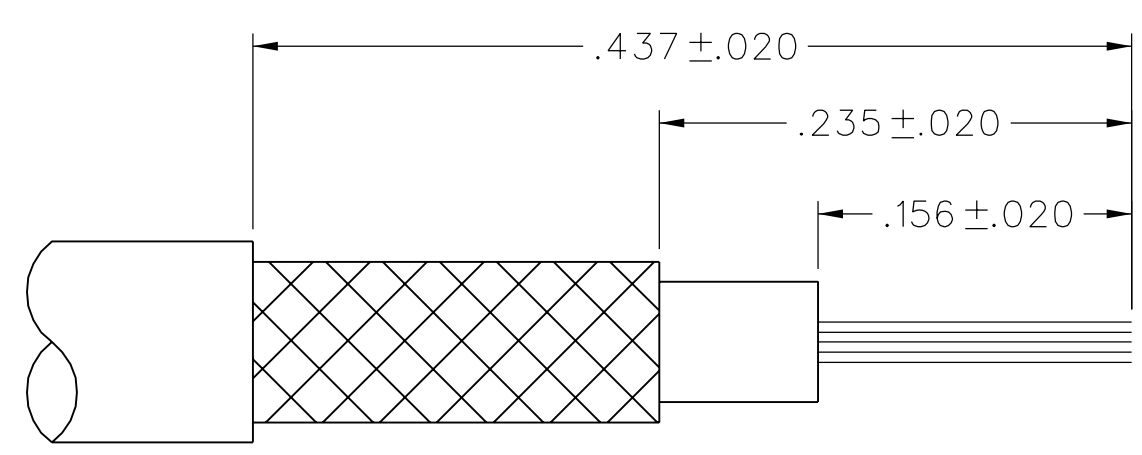
PART NUMBER	ITEM ① BODY	ITEM ② CONTACT	ITEM ③ INTERFACE	ITEM ④ INSULATOR	ITEM ⑤ CRIMP SLEEVE
131-9404-001	COPPER ALLOY GOLD PL .00005 MIN OVER COPPER PL .00005 MIN	BERYLLIUM COPPER GOLD PL .00005 MIN OVER COPPER PL .00005 MIN	BERYLLIUM COPPER GOLD PL .00005 MIN OVER COPPER PL .00005 MIN	TEFLON	COPPER ALLOY GOLD PL .00005 MIN OVER COPPER PL .00005 MIN
131-9404-004	COPPER ALLOY SILVER PL .00005 MIN OVER COPPER PL .00005 MIN	BERYLLIUM COPPER SILVER PL .00005 MIN OVER COPPER PL .00005 MIN	BERYLLIUM COPPER SILVER PL .00005 MIN OVER COPPER PL .00005 MIN	TEFLON	COPPER ALLOY SILVER PL .00005 MIN OVER COPPER PL .00005 MIN

DRAWING NO. C - 131-9404-001/010					
0 REVISIONS					
ENGINEERING RELEASE					
1	7-18-03	R H	T A K	J B	ECN 48871
COPPER ALLOY WAS COPPER, BODY P/N 131-9404-004 COPPER ALLOY WAS BRASS, VERSION UPDATE					
2	10-18-06	P A T	J D S	T A K	1-9-07 ECN 50751
.156±.020 WAS .156±.015, ADD: .235 ±.020, .437±.020, REMOVED: .281±.015 .219±.015					
***** * REVISION NUMBER FOLLOWED BY AN ALPHA * * CHARACTER INDICATES DRAWING CLARIFI- * * CATION OR PART NUMBER ADDITION ONLY. * *****					
2a	3-30-08	P T	C M	R J U	J C N
4-15-08 ECN 51391					



NOTES:

1. SPECIFICATIONS:
- IMPEDANCE: 50 OHMS
 FREQUENCY RANGE: 0-4 GHZ
 VSWR: 1.25+.04 F (F IN GHZ) (50 OHM CABLE ONLY)
 WORKING VOLTAGE: 335 VRMS MAX AT SEA LEVEL
 DIELECTRIC WITHSTANDING VOLTAGE: 1000 VRMS MIN AT SEA LEVEL
 INSULATION RESISTANCE: 1000 MEGOHM MIN
 CONTACT RESISTANCE:
 CENTER CONTACT - INITIAL 6 MILLIOHM MAX, AFTER ENVIRONMENTAL 8 MILLIOHM MAX
 OUTER CONDUCTOR - INITIAL 1MILLIOHM MAX, AFTER ENVIRONMENTAL 1.5 MILLIOHM MAX
 BRAID TO BODY - 1MILLIOHM MAX AFTER ENVIRONMENTAL NOT APPLICABLE
 CORONA LEVEL: 250 VOLTS MIN AT 70,000 FEET
 INSERTION LOSS: .30 DB MAX AT 1.5 GHZ (50 OHM CABLE ONLY)
 RF LEAKAGE: -55 DB MIN AT 2.5 GHZ (50 OHM CABLE ONLY)
 RF HIGH POTENTIAL WITHSTANDING VOLTAGE: 700 VRMS MIN AT 4 AND 7 MHZ
- MECHANICAL:
- ENGAGE/DISENGAGE FORCE: INITIAL 14 LBS MAX, AFTER DURABILITY 14 LBS MAX
 ENGAGEMENT/2 LBS MIN DISENGAGEMENT
 MATING TORQUE: NOT APPLICABLE
 COUPLING PROOF TORQUE: NOT APPLICABLE
 COUPLING NUT RETENTION: NOT APPLICABLE
 CONTACT RETENTION: 4 LBS MIN AXIAL FORCE
 CABLE ACCEPTABILITY: RG 316/U DOUBLE SHIELDED, RG 179 DOUBLE SHIELDED
 RG 188/U DOUBLE SHIELDED, RG 187 DOUBLE SHIELDED
 CABLE HEX CRIMP SIZE: .151
 CONTACT CRIMP TOOL: P/N 141-0000-911.
 CABLE RETENTION: 20 LBS MIN OR CABLE BREAKING STRENGTH
 DURABILITY: 500 CYCLES MIN
- ENVIRONMENTAL:
- (MEETS OR EXCEEDS THE APPLICABLE PARAGRAPH OF MIL-PRF-39012)
 THERMAL SHOCK: MIL-STD-202, METHOD 107, CONDITION B
 OPERATING TEMPERATURE: -65 DEG C TO 165 DEG C
 CORROSION: MIL-STD-202, METHOD 101, CONDITION B
 SHOCK: MIL-STD-202, METHOD 213, CONDITION B
 VIBRATION: MIL-STD-202, METHOD 204, CONDITION B



CABLE STRIP DIMENSIONS

CUSTOMER DRAWING

THIS DRAWING TO BE INTERPRETED
PER ASME Y 14.5M - 1994

"μSTATION"

COMPANY CONFIDENTIAL

2. CONNECTOR MARKED "NM" FOR NON-MAGNETIC.

TOLERANCE UNLESS OTHERWISE SPECIFIED		DRAWN BY RSH	DATE 2-18-03
DECIMALS	mm	CHECKED BY TAK	DATE 7-29-03
.XX	_____	APPROVED BY RJB	DATE 7-29-03
.XXX	_____	RELEASE DATE	7-29-03
MATL	_____	U/M	INCH
FINISH	_____	SCALE	10:1

cinch
CONNECTIVITY SOLUTIONS
a bel group

Cinch Connectivity Solutions
P.O. Box 1732
Waseca, MN 56093
1-800-247-8256

TITLE
PLUG ASSEMBLY,
STRAIGHT CABLED, NON-MAGNETIC
SMB, 50 OHM, RG 316 DS

SHEET 2 OF 2
DRAWING NO.
C - 131-9404-001/010