



Chipsmall Limited consists of a professional team with an average of over 10 year of expertise in the distribution of electronic components. Based in Hongkong, we have already established firm and mutual-benefit business relationships with customers from,Europe,America and south Asia,supplying obsolete and hard-to-find components to meet their specific needs.

With the principle of “Quality Parts,Customers Priority,Honest Operation,and Considerate Service”,our business mainly focus on the distribution of electronic components. Line cards we deal with include Microchip,ALPS,ROHM,Xilinx,Pulse,ON,Everlight and Freescale. Main products comprise IC,Modules,Potentiometer,IC Socket,Relay,Connector.Our parts cover such applications as commercial,industrial, and automotives areas.

We are looking forward to setting up business relationship with you and hope to provide you with the best service and solution. Let us make a better world for our industry!



Contact us

Tel: +86-755-8981 8866 Fax: +86-755-8427 6832

Email & Skype: info@chipsmall.com Web: www.chipsmall.com

Address: A1208, Overseas Decoration Building, #122 Zhenhua RD., Futian, Shenzhen, China



PART NUMBER	ITEM ① BODY	ITEM ② BASE	ITEM ③ CONTACT (ONE PIECE)	ITEM ④ INSULATOR	ITEM ⑤ INSULATOR
131-9701-301	COPPER ALLOY GOLD PL .00005 MIN OVER COPPER PL .00005 MIN	COPPER ALLOY GOLD PL .00005 MIN OVER COPPER PL .00005 MIN	COPPER ALLOY GOLD PL .00005 MIN OVER COPPER PL .00005 MIN	TEFLON	TEFLON
131-9701-304	COPPER ALLOY SILVER PL .00005 MIN OVER COPPER PL .00005 MIN	COPPER ALLOY SILVER PL .00005 MIN OVER COPPER PL .00005 MIN	COPPER ALLOY SILVER PL .00005 MIN OVER COPPER PL .00005 MIN	TEFLON	TEFLON

DRAWING NO.
C - 131-9701-301/310

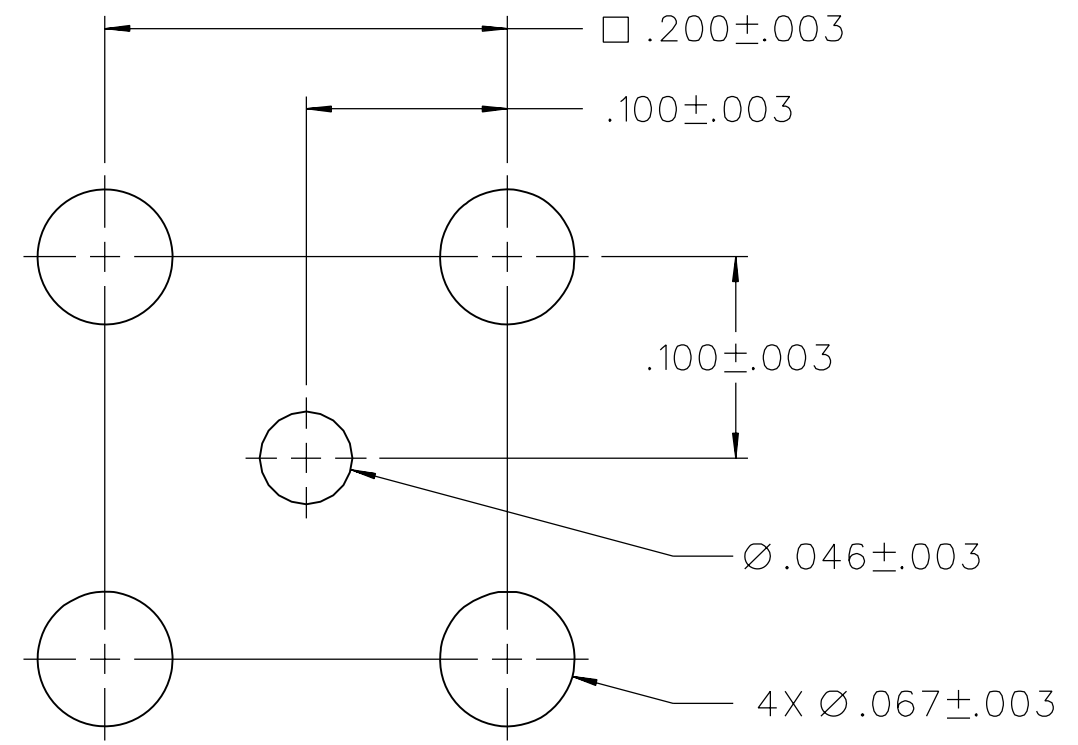
REVISIONS	
0	REVISIONS

ENGINEERING RELEASE

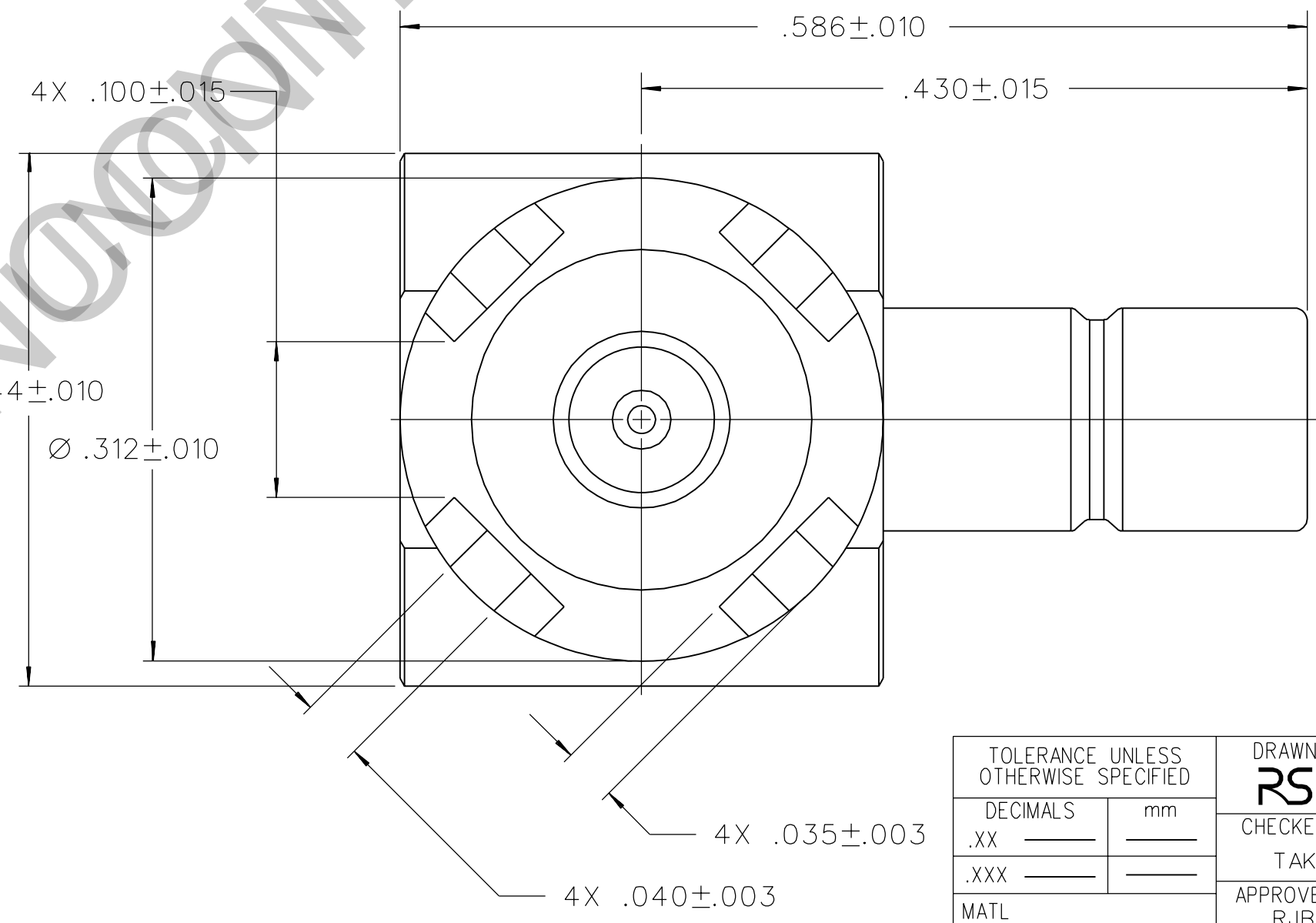
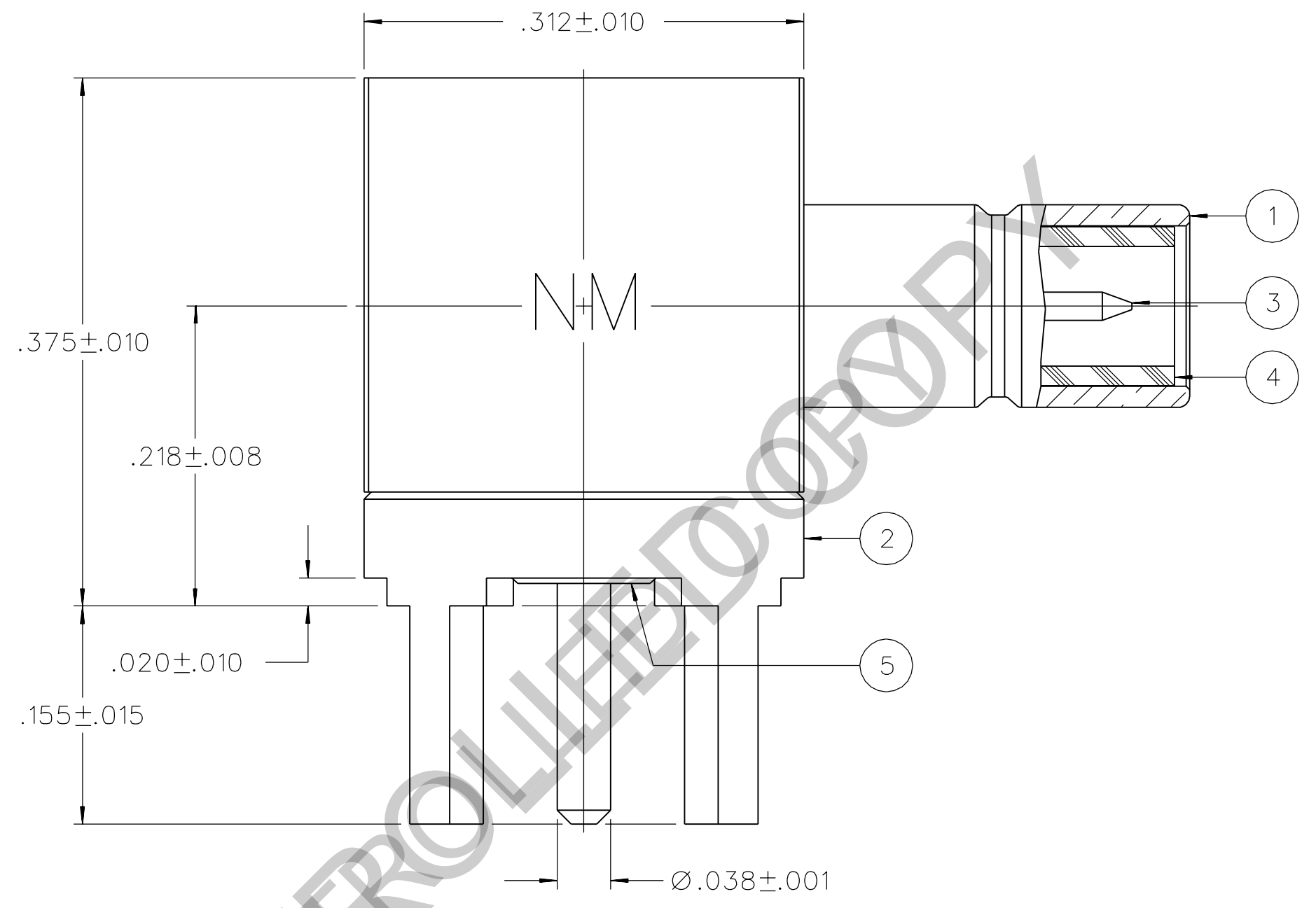
1	7-18-03	RH	TAK	RJB	ECN 48866
---	---------	----	-----	-----	-----------

COPPER ALLOY WAS COPPER,
VERSION UPDATE

2	11-28-06	PAT	JDS	TAK	4-5-07 ECN 50880
---	----------	-----	-----	-----	---------------------



MOUNTING HOLE LAYOUT



NOTES:

- SPECIFICATIONS:
 - IMPEDANCE: 50 OHMS
 - FREQUENCY RANGE: 0-4 GHz
 - VSWR: NOT APPLICABLE
 - WORKING VOLTAGE: 335 VRMS MAX AT SEA LEVEL
 - DIELECTRIC WITHSTANDING VOLTAGE: 1000 VRMS MIN AT SEA LEVEL
 - INSULATION RESISTANCE: 1000 MEGOHM MIN
 - CONTACT RESISTANCE:
 - CENTER CONTACT - INITIAL 6 MILLIOHM MAX, AFTER ENVIRONMENTAL 8 MILLIOHM MAX
 - OUTER CONDUCTOR - INITIAL 1 MILLIOHM MAX, AFTER ENVIRONMENTAL 1.5 MILLIOHM MAX
 - BRAID TO BODY - NOT APPLICABLE
 - CORONA LEVEL: NOT APPLICABLE
 - INSERTION LOSS: NOT APPLICABLE
 - RF LEAKAGE: NOT APPLICABLE
 - RF HIGH POTENTIAL WITHSTANDING VOLTAGE: 600 VRMS AT 5 MHZ
- MECHANICAL:
 - ENGAGE/DISENGAGE FORCE: INITIAL 14 LBS MAX AFTER DURABILITY 14 LBS MAX ENGAGEMENT, 2 LBS MIN DISENGAGEMENT
 - MATING TORQUE: NOT APPLICABLE
 - COUPLING PROOF TORQUE: NOT APPLICABLE
 - COUPLING NUT RETENTION: NOT APPLICABLE
 - CONTACT RETENTION: 4 LBS MIN AXIAL FORCE
 - CABLE ACCEPTABILITY: NOT APPLICABLE
 - CABLE HEX CRIMP SIZE: NOT APPLICABLE
 - CABLE RETENTION: NOT APPLICABLE
 - DURABILITY: 500 CYCLES MIN
- ENVIRONMENTAL:
 - (MEETS OR EXCEEDS THE APPLICABLE PARAGRAPH OF MIL-PRF-39012)
 - THERMAL SHOCK: MIL-STD-202, METHOD 107, CONDITION B
 - OPERATING TEMPERATURE: -65 DEG C TO 165 DEG C
 - CORROSION: MIL-STD-202, METHOD 101, CONDITION B
 - SHOCK: MIL-STD-202, METHOD 213, CONDITION B
 - VIBRATION: MIL-STD-202, METHOD 204, CONDITION B

2. CONNECTOR MARKED "NM" FOR NON-MAGNETIC

CUSTOMER DRAWING

THIS DRAWING TO BE INTERPRETED PER ASME Y 14.5M - 1994

"μSTATION"

COMPANY CONFIDENTIAL

TOLERANCE UNLESS OTHERWISE SPECIFIED		DRAWN BY	DATE	Cinch Connectivity Solutions P.O. Box 1732 Waseca, MN 56093 1-800-247-8256
DECIMALS	mm	RSH	3-4-03	
.XX		CHECKED BY	DATE	TITLE JACK ASSEMBLY RA PC MOUNT NON-MAGNETIC SMB
.XXX		TAK	7-29-03	
MATL		APPROVED BY	DATE	SHEET DRAWING NO. C - 131-9701-301/310
		RJB	7-29-03	
FINISH		RELEASE DATE	7-29-03	
		U/M	INCH	SCALE 10:1