



Chipsmall Limited consists of a professional team with an average of over 10 year of expertise in the distribution of electronic components. Based in Hongkong, we have already established firm and mutual-benefit business relationships with customers from,Europe,America and south Asia,supplying obsolete and hard-to-find components to meet their specific needs.

With the principle of “Quality Parts,Customers Priority,Honest Operation,and Considerate Service”,our business mainly focus on the distribution of electronic components. Line cards we deal with include Microchip,ALPS,ROHM,Xilinx,Pulse,ON,Everlight and Freescale. Main products comprise IC,Modules,Potentiometer,IC Socket,Relay,Connector.Our parts cover such applications as commercial,industrial, and automotives areas.

We are looking forward to setting up business relationship with you and hope to provide you with the best service and solution. Let us make a better world for our industry!



Contact us

Tel: +86-755-8981 8866 Fax: +86-755-8427 6832

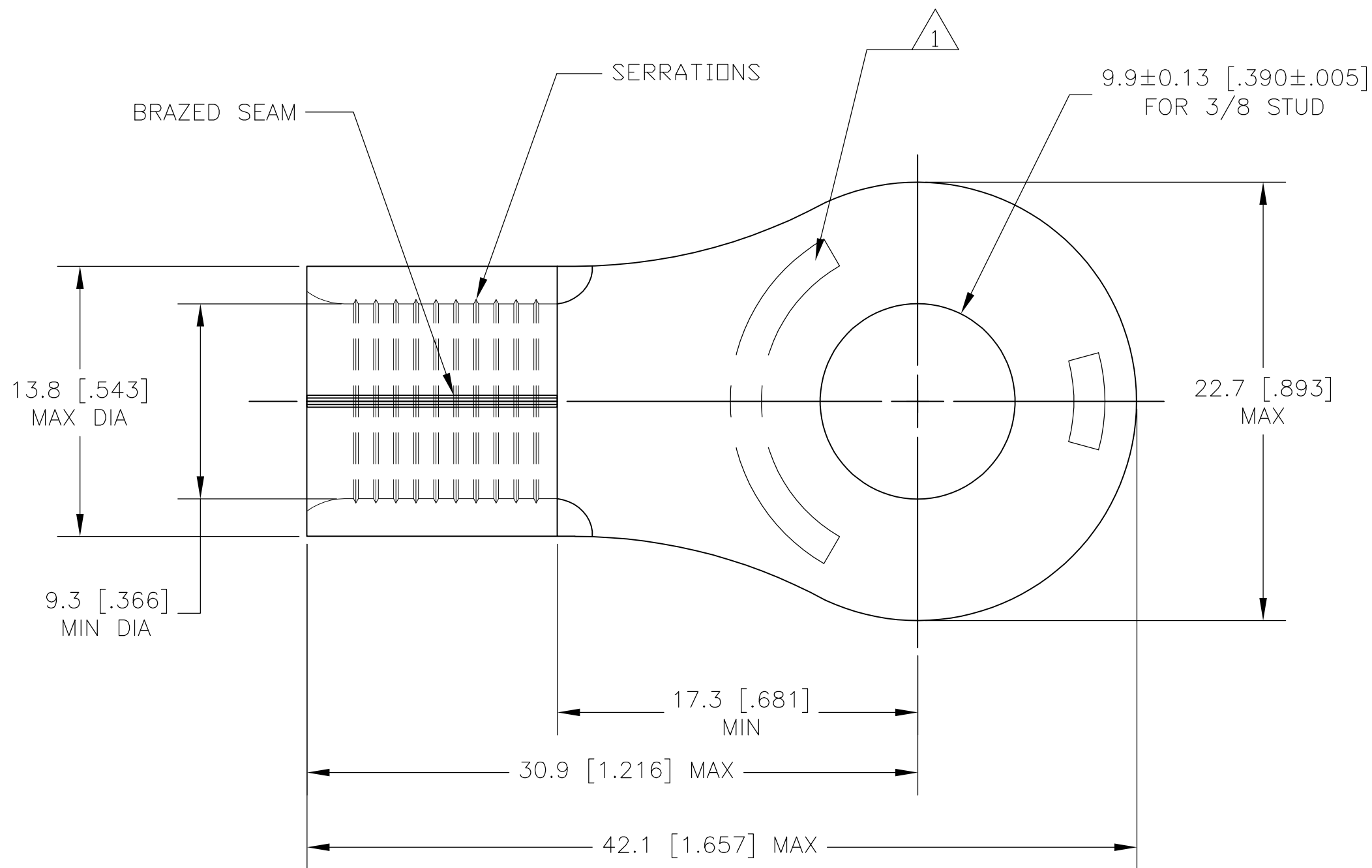
Email & Skype: info@chipsmall.com Web: www.chipsmall.com

Address: A1208, Overseas Decoration Building, #122 Zhenhua RD., Futian, Shenzhen, China



THIS DRAWING IS UNPUBLISHED. RELEASED FOR PUBLICATION
© COPYRIGHT BY TYCO ELECTRONICS CORPORATION. ALL INTERNATIONAL RIGHTS RESERVED.

LOC	DIST	REVISIONS					
G	86	P	LTR	DESCRIPTION	DATE	DWN	APVD
		A1		REV PER ECR 10-004261	25FEB10	JR	TM



- △1 STAMP "AMP 2W* 60-75" LOCATED APPROX AS SHOWN ON BOTTOM.
- △2 COPPER PER ASTM B-152
- △3 NICKEL PLATE PER QQ-N-290

131297-1

PART NO

THIS DRAWING IS A CONTROLLED DOCUMENT.		DWN jr_ruth 25FEB10	Tyco Electronics Corporation Harrisburg, PA 17105-3608			
DIMENSIONS: MM [INCHES]		CHK T MICHELUTTI 25FEB10				
		APVD T MICHELUTTI 25FEB10	NAME			
TOLERANCES UNLESS OTHERWISE SPECIFIED: 0 PLC ± - 1 PLC ± - 2 PLC ± 0.2 [.008] 3 PLC ± - 4 PLC ± - ANGLES ± 5°		PRODUCT SPEC	WIRE TERMINAL, RING TONGUE, SOLISTRAND, WIRE SIZE: #2 AWG			
MATERIAL		APPLICATION SPEC	SIZE	CAGE CODE	DRAWING NO	RESTRICTED TO
- 2		FINISH	A3 00779 C-131297		-	
- 3		CUSTOMER DRAWING		SCALE	SHEET	REV
				4:1	1 OF 1	A1