



Chipsmall Limited consists of a professional team with an average of over 10 year of expertise in the distribution of electronic components. Based in Hongkong, we have already established firm and mutual-benefit business relationships with customers from,Europe,America and south Asia,supplying obsolete and hard-to-find components to meet their specific needs.

With the principle of “Quality Parts,Customers Priority,Honest Operation,and Considerate Service”,our business mainly focus on the distribution of electronic components. Line cards we deal with include Microchip,ALPS,ROHM,Xilinx,Pulse,ON,Everlight and Freescale. Main products comprise IC,Modules,Potentiometer,IC Socket,Relay,Connector.Our parts cover such applications as commercial,industrial, and automotives areas.

We are looking forward to setting up business relationship with you and hope to provide you with the best service and solution. Let us make a better world for our industry!



Contact us

Tel: +86-755-8981 8866 Fax: +86-755-8427 6832

Email & Skype: info@chipsmall.com Web: www.chipsmall.com

Address: A1208, Overseas Decoration Building, #122 Zhenhua RD., Futian, Shenzhen, China



THIS DRAWING IS UNPUBLISHED.

RELEASED FOR PUBLICATION

ALL RIGHTS RESERVED.

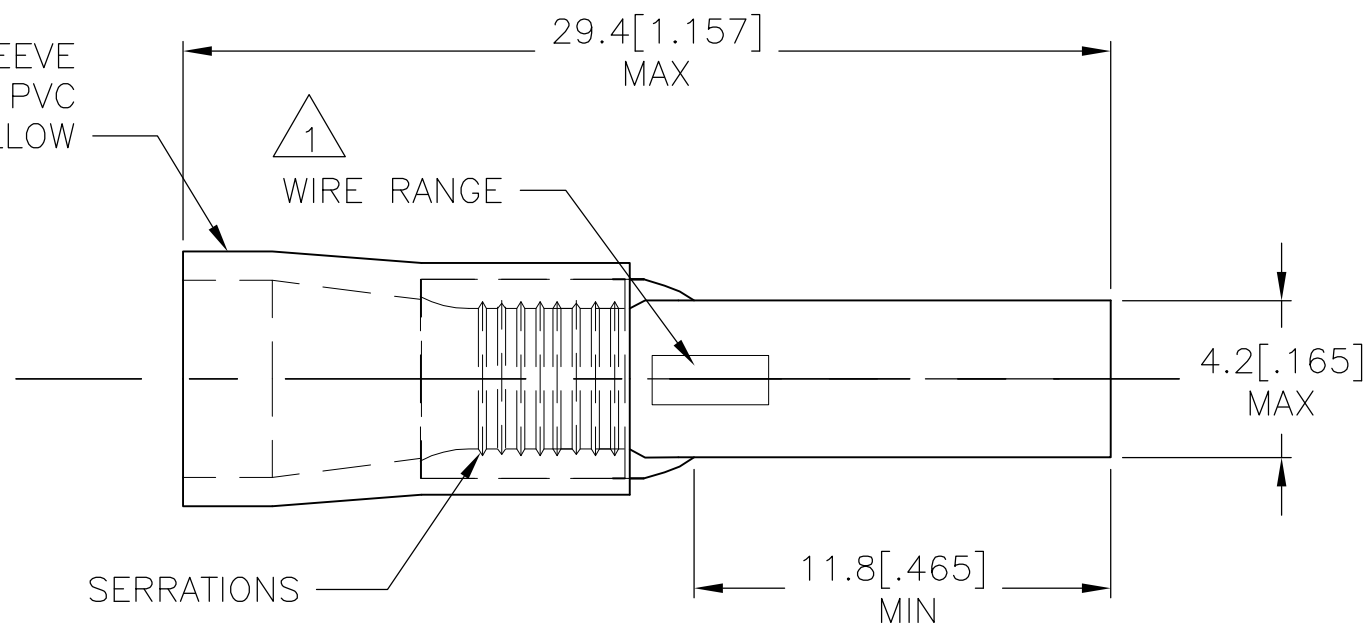
© COPYRIGHT - By -

LOC G DIST 02

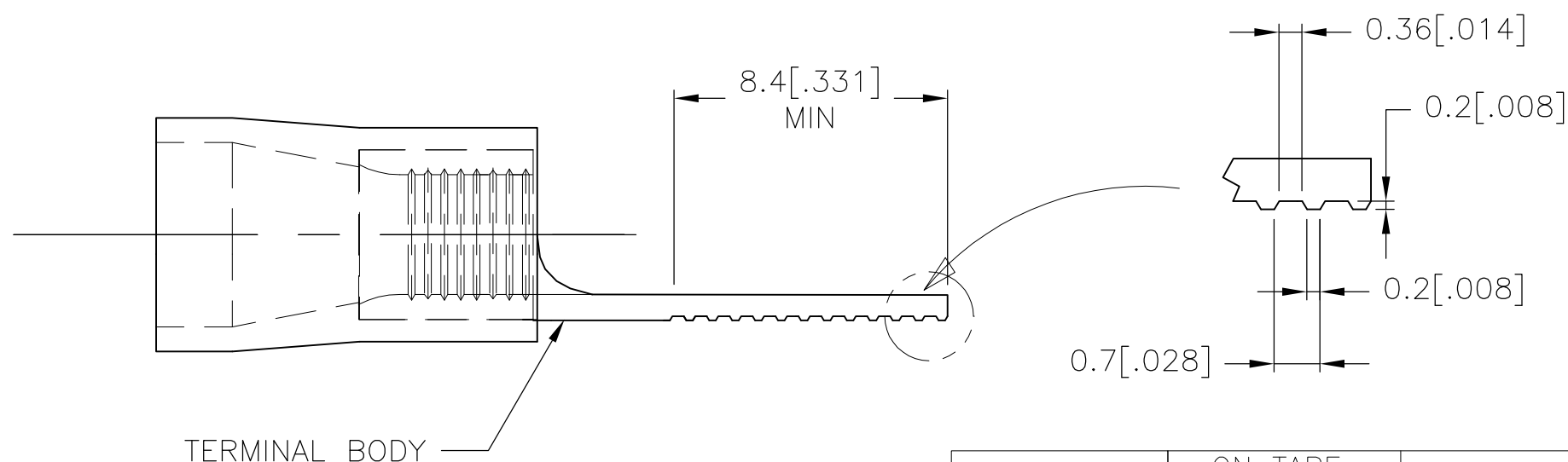
REVISIONS

P	LTR	DESCRIPTION	DATE	DWN	APVD
	B3	REVISED PER ECO-11-020548	02FEB12	KH	DR

INSULATION SLEEVE
MATERIAL: PVC
COLOR: YELLOW



- 1 WIRE SIZE IS 12-10 AWG
- 2 WIRE INSULATION DIA: 3.8 [.149]-6.4 [.252]
- 3 MATERIAL THICKNESS IS 0.80±0.05 [.031±.002]
- 4 600 VOLT MAX
- 5 CIRCULAR MIL AREA:
5,180-13,100 (2.62mm²-6.63mm²)



OBSOLETE	ON TAPE, REEL	STANDARD	3000	2-131445-1
	PLASTIC BAG	STANDARD	500	131445
	PACKAGING	LABELLING	QTY	PART NO

THIS DRAWING IS A CONTROLLED DOCUMENT.		DWN jr_ruth 29MAR06	STE TE Connectivity	
DIMENSIONS: mm [INCHES]		CHK T MICHIELUTTI 29MAR06		
TOLERANCES UNLESS OTHERWISE SPECIFIED:		APVD T MICHIELUTTI 29MAR06	NAME	
0 PLC ± -		PRODUCT SPEC	TERMINAL, PIN, PLASTI-GRIP,	
1 PLC ± 0.5 [.02]		APPLICATION SPEC	SIZE A3	CAGE CODE 00779
2 PLC ± -		WEIGHT -	DRAWING NO C-131445	RESTRICTED TO -
3 PLC ± -		CUSTOMER DRAWING		
4 PLC ± -		SCALE 5:1		
ANGLES ± 1°		SHEET 1 OF 1		
MATERIAL COPPER PER ASTM B152	FINISH TIN PLATE PER ASTM B545	REV B3		