



Chipsmall Limited consists of a professional team with an average of over 10 year of expertise in the distribution of electronic components. Based in Hongkong, we have already established firm and mutual-benefit business relationships with customers from,Europe,America and south Asia,supplying obsolete and hard-to-find components to meet their specific needs.

With the principle of "Quality Parts,Customers Priority,Honest Operation,and Considerate Service",our business mainly focus on the distribution of electronic components. Line cards we deal with include Microchip,ALPS,ROHM,Xilinx,Pulse,ON,Everlight and Freescale. Main products comprise IC,Modules,Potentiometer,IC Socket,Relay,Connector.Our parts cover such applications as commercial,industrial, and automotives areas.

We are looking forward to setting up business relationship with you and hope to provide you with the best service and solution. Let us make a better world for our industry!



Contact us

Tel: +86-755-8981 8866 Fax: +86-755-8427 6832

Email & Skype: info@chipsmall.com Web: www.chipsmall.com

Address: A1208, Overseas Decoration Building, #122 Zhenhua RD., Futian, Shenzhen, China



THIS DRAWING IS UNPUBLISHED.

RELEASED FOR PUBLICATION

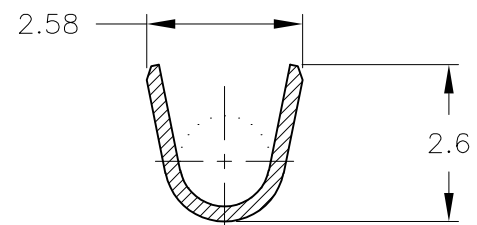
© COPYRIGHT - By -

ALL RIGHTS RESERVED.

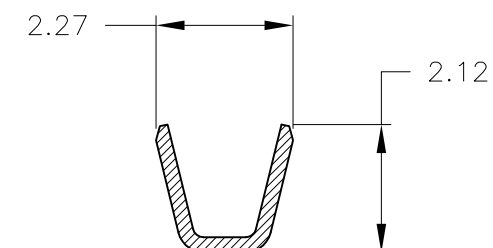
LOC	DIST
J	-

REVISIONS

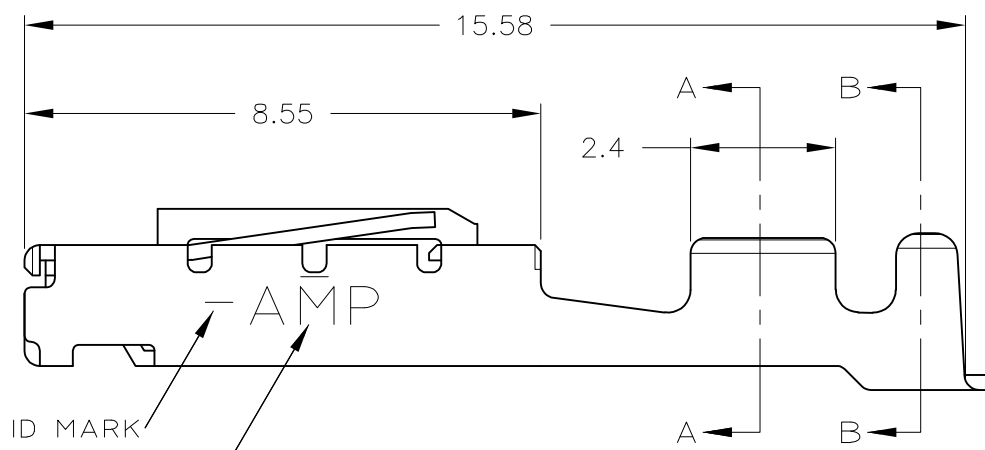
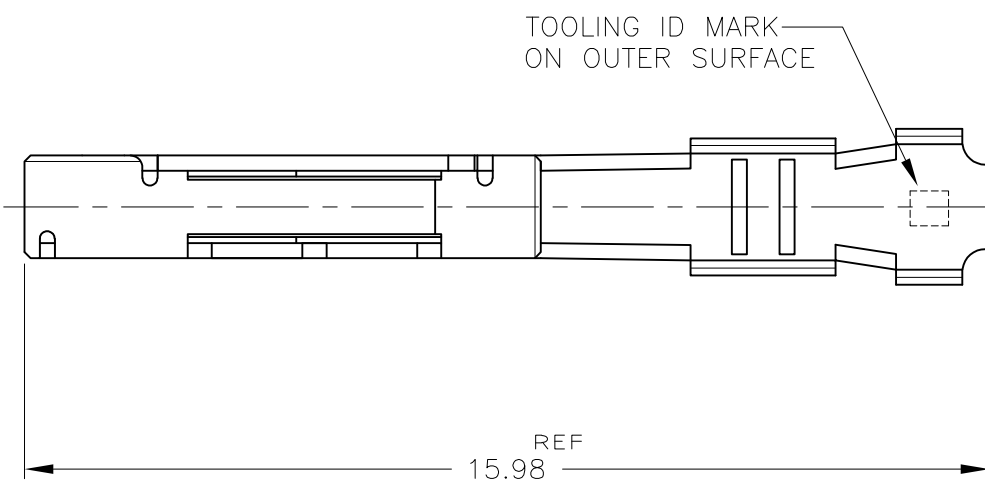
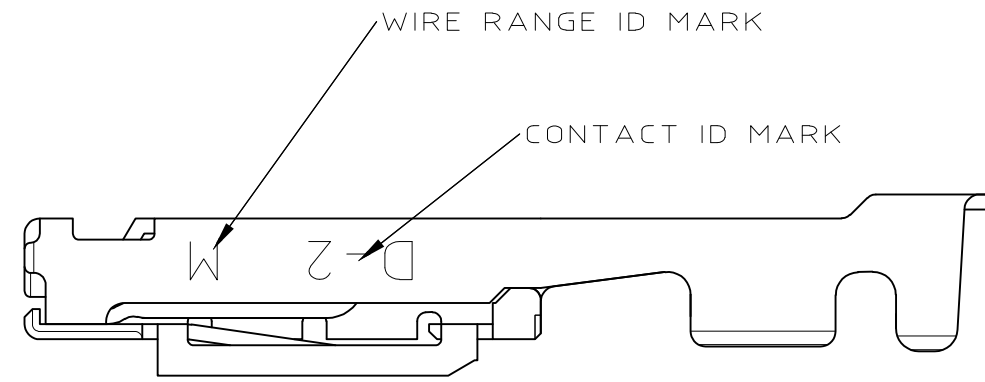
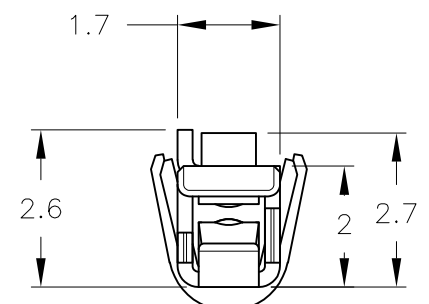
P	LTR	DESCRIPTION	DATE	DWN	APVD
	D	REVISED PER ECR-15-011723	08AUG2015	Y.O	E.T
	E	REVISED PER ECR-16-016514	23NOV2016	K.T	E.T



SECT B-B



SECT A-A



TOOLING ID MARK
AMP MARK

-1:AS SHOWN

NOTES

1. FINISH (CONTACT AREA): 0.38 μm MIN GOLD PLATING OVER Ni PLATING

THIS DRAWING IS A CONTROLLED DOCUMENT.

DIMENSIONS: mm	TOLERANCES UNLESS OTHERWISE SPECIFIED: : ±0.3 >10 : ±0.35 >30 : ±0.4 ANGLE : ±3°
MATERIAL (COPPER ALLOY)	FINISH SEE NOTE

DWN K.IKEDA 7/DEC/'98	INSULATION DIA 1.26 ~ 1.90
CHK N.MATSUBARA 7/DEC/'98	TE Connectivity REC CONTACT M SIZE,L/P DYNAMIC D-2 SERIES
APVD I.HASEGAWA 7/DEC/'98	
PRODUCT SPEC 108-5619	
APPLICATION SPEC 114-5258	
MATERIAL (COPPER ALLOY)	RESTRICTED TO -
FINISH SEE NOTE	SCALE 8:1
CUSTOMER DRAWING	SHEET 1 OF 1
	REV E

WIRE RANGE AWG #22 ~ #18	INSULATION DIA 1.26 ~ 1.90
DWN K.IKEDA 7/DEC/'98	TE Connectivity REC CONTACT M SIZE,L/P DYNAMIC D-2 SERIES
CHK N.MATSUBARA 7/DEC/'98	
APVD I.HASEGAWA 7/DEC/'98	
PRODUCT SPEC 108-5619	
MATERIAL (COPPER ALLOY)	RESTRICTED TO -
FINISH SEE NOTE	SCALE 8:1
CUSTOMER DRAWING	SHEET 1 OF 1
	REV E