



Chipsmall Limited consists of a professional team with an average of over 10 year of expertise in the distribution of electronic components. Based in Hongkong, we have already established firm and mutual-benefit business relationships with customers from,Europe,America and south Asia,supplying obsolete and hard-to-find components to meet their specific needs.

With the principle of “Quality Parts,Customers Priority,Honest Operation,and Considerate Service”,our business mainly focus on the distribution of electronic components. Line cards we deal with include Microchip,ALPS,ROHM,Xilinx,Pulse,ON,Everlight and Freescale. Main products comprise IC,Modules,Potentiometer,IC Socket,Relay,Connector.Our parts cover such applications as commercial,industrial, and automotives areas.

We are looking forward to setting up business relationship with you and hope to provide you with the best service and solution. Let us make a better world for our industry!



Contact us

Tel: +86-755-8981 8866 Fax: +86-755-8427 6832

Email & Skype: info@chipsmall.com Web: www.chipsmall.com

Address: A1208, Overseas Decoration Building, #122 Zhenhua RD., Futian, Shenzhen, China



Introduction

Features

- Conform to IEEE 1394 standard
- Easy connections to equipment
- For use with plug and play devices
- Applicable to wide ranges of connections
- Optional panel mounting with M1.6 screw thread
- DIP and SMT types are available for PC board side
- Applicable for automatic mounting machines with embossed tapes (4 pos.)



Table of Contents

6 Position IEEE 1394 Connectors	2-6
4 Position IEEE 1394 Connectors	7-17
9 Position IEEE 1394 Connectors	18, 19
Cable Assembly	20

Product Specification

6 Position 108-1606
4 Position 108-5157
9 Position 108-57567

This product conforms to IEEE 1394. With only one type of connector, your PC can be connected to several digital peripheral equipment. IEEE 1394 connector series capable of accommodating data rates up to 400Mbps. for serial transmission are consisted of the 6 position connectors for connections of computers to peripherals, and the 4 position connectors for

connections of digital AV equipment. For connections of computers to digital AV equipment, 4 position to 6 position transition type cable assemblies are used. In order to cope with a wide range of device designs, headers of 4 position connectors suitable for DVD, STB, etc. are provided with screw thread size of M1.6, and in two types — DIP and SMT types.

The cable assemblies are also available with 4 position to 4 position type for connection of AV equipment, 4 positions to 6 positions of transition type for connections of PC and AV equipment, and 6 position to 6 position type for connections of PC and peripherals.

Disclaimer

While Tyco Electronics has made every reasonable effort to ensure the accuracy of the information in this catalog, Tyco Electronics does not guarantee that it is error-free, nor does Tyco Electronics make any other representation, warranty or guarantee that the information is accurate, correct, reliable or current. Tyco Electronics reserves the right to make any adjustments to the information contained herein at any time without notice. Tyco Electronics expressly disclaims all implied warranties regarding the information contained herein, including, but not limited to, any implied warranties of merchantability or fitness for a particular purpose.

Need more information?

Call Technical Support at the numbers listed below. Technical Support is staffed with specialists well versed in all Tyco Electronics products. They can provide you with:

- Technical Support
- Catalogs
- Technical Documents
- Product Samples
- Tyco Electronics Authorized Distributor Locations

© Copyright 2008 and 2006 Tyco Electronics Corporation. All Rights Reserved. TE LOGO and TYCO ELECTRONICS are trademarks. Other products, logos, and company names mentioned herein may be trademarks of their respective owners. **See back cover for Global Contacts and phone numbers.**

6 Position IEEE 1394 Connectors

Description	Part Number	Orientation	SMT / Thru-Hole	Color	T/L	Page Number
Receptacle	5788516-1	Right-Angle	Thru-Hole	Black	2.0	2
	1734368-1	Right-Angle	SMT	Black	SMT	3
	1734368-2	Right-Angle	SMT	Natural	SMT	3
	1734290-1	Vertical	Thru-Hole	Black	2.69	4
	1734290-2	Vertical	Thru-Hole	Black	3.18	4
	5787956-1	Flag	Thru-Hole	Black	3.36	5
Plug Kit	5787950-1	Cable Plug	N/A	Gray	N/A	6

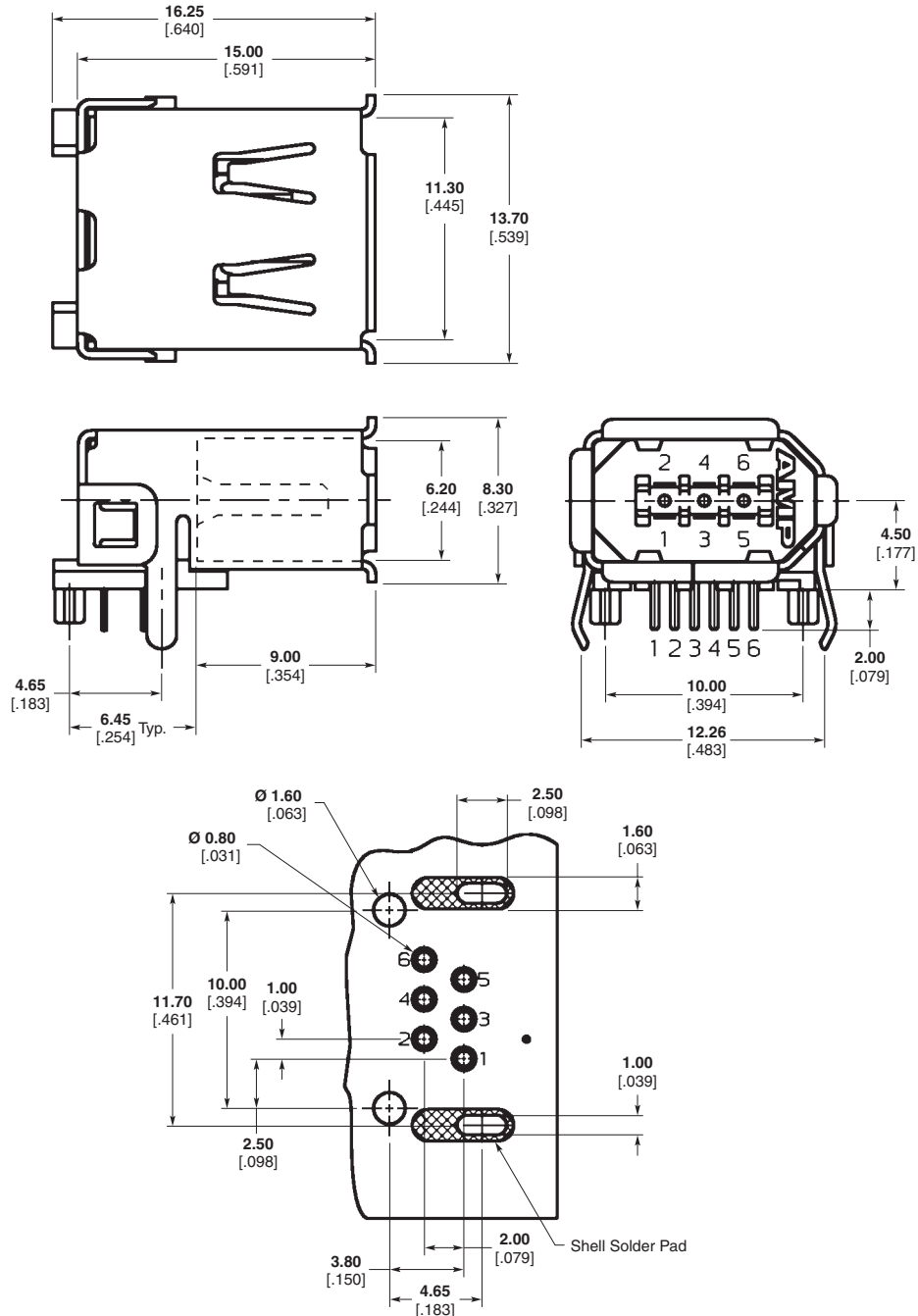
**Receptacle Assembly
Right-Angle, Thru-Hole**

Part Number
5788516-1

Material and Finish

Housing — Thermoplastic, UL94V-0, black

Contact — Copper alloy, palladium nickel, gold and tin plated, nickel under-plated



Note: All part numbers are RoHS compliant.

Recommended PCB Layout

6 Position Connectors (Continued)

Receptacle Assembly
Right-Angle, SMT

Part Number
1734368-1, -2

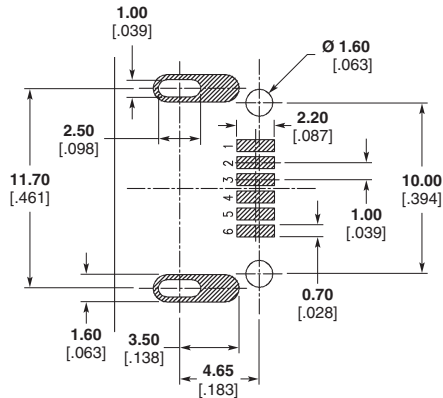
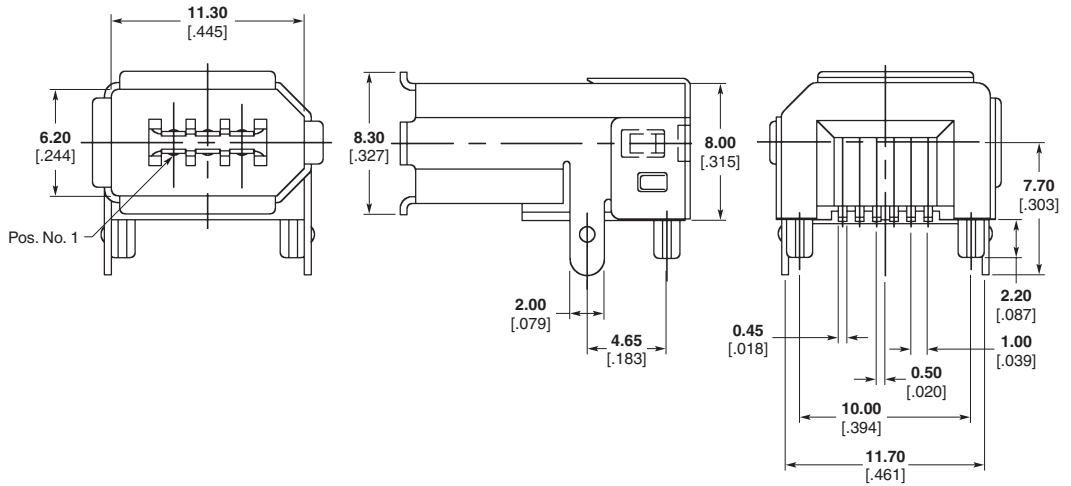
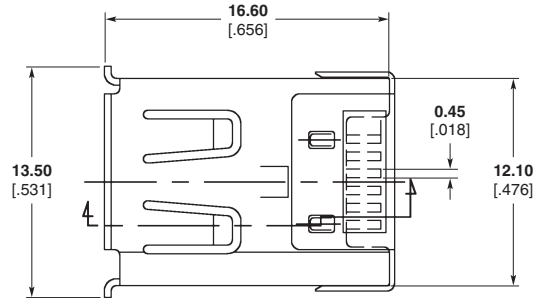
Material and Finish

Housing — Thermoplastic, UL94V-0, black

Contact — Copper alloy, gold and tin plated, nickel underplated

Front Shell — Copper alloy, tin plated

Back Shell — Steel, nickel over copper plated



Recommended PCB Layout

Note: All part numbers are RoHS compliant.

6 Position Connectors (Continued)

**Receptacle Assembly,
Vertical, Thru-Hole**

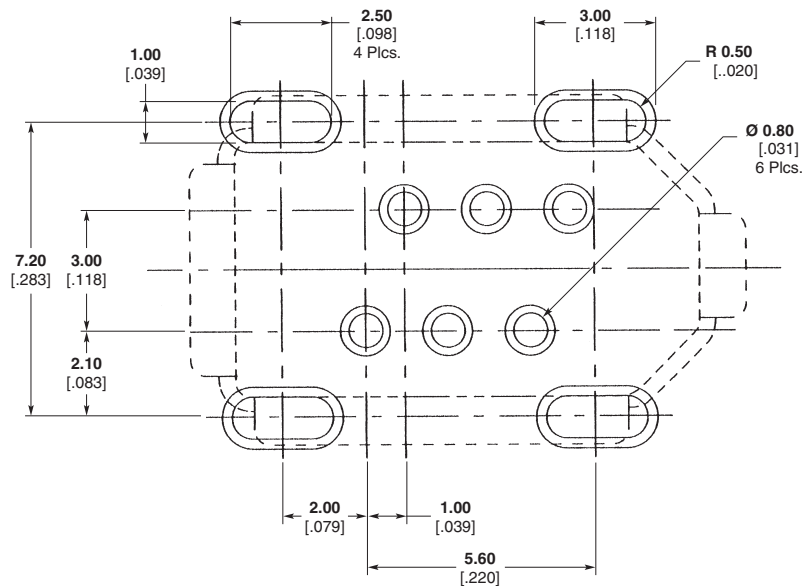
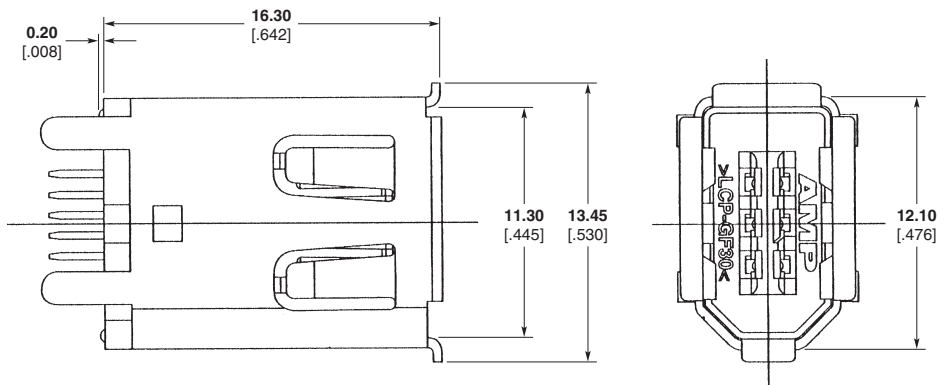
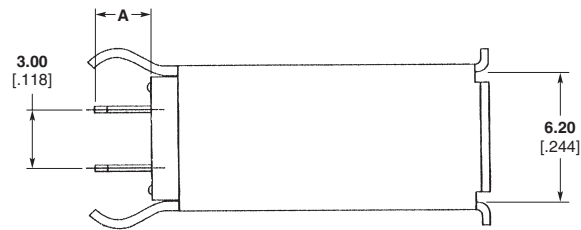
Dimension A	Part Number
2.69 .106	1734290-1
3.18 .125	1734290-2

Material and Finish

Shell — Copper alloy, plated nickel over copper

Housing — Thermoplastic, UL94V-0, black

Contact — Copper alloy, gold and tin plated, nickel underplated



Recommended PCB Layout

Note: All part numbers are RoHS compliant.

6 Position Connectors (Continued)

**Receptacle Assembly,
Flag, Thru-Hole**

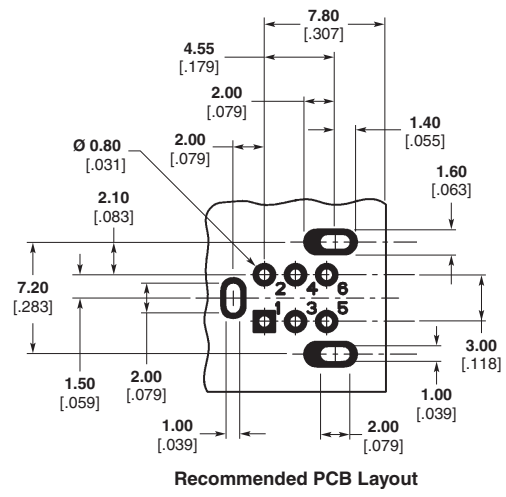
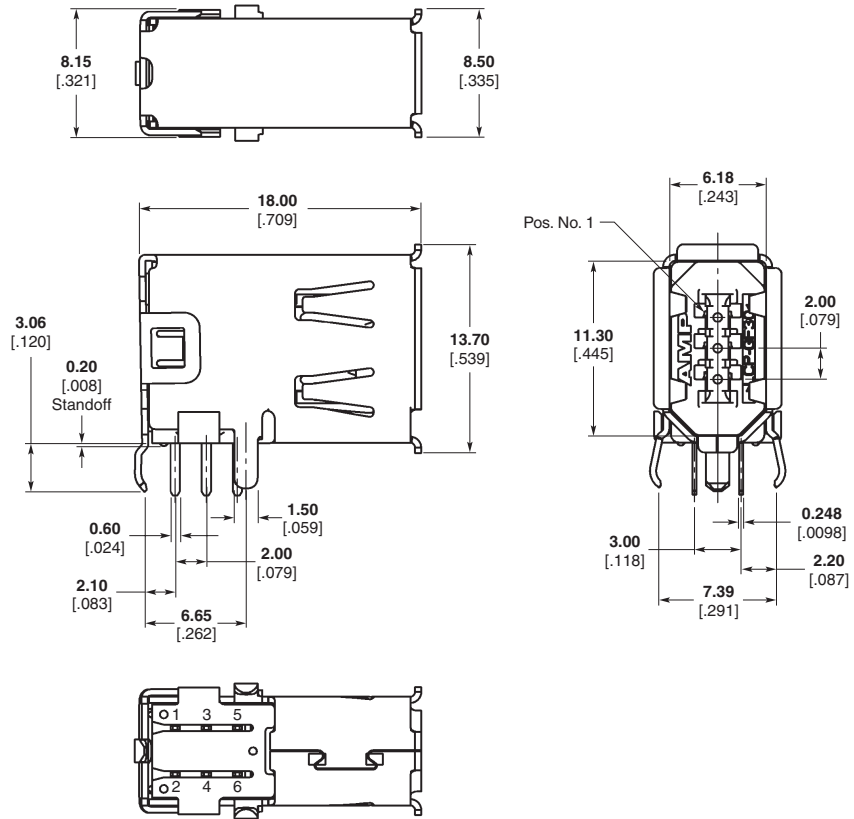
Part Number
5787956-1

Material and Finish

Housing — Thermoplastic, UL94V-0, black

Contact — Copper alloy, gold over palladium nickel, and tin plated, nickel underplated

Shell — Copper alloy, tin plated



Note: All part numbers are RoHS compliant.

6 Position Connectors (Continued)

Part Number
5787950-1
(Plug Kit — Unassembled)

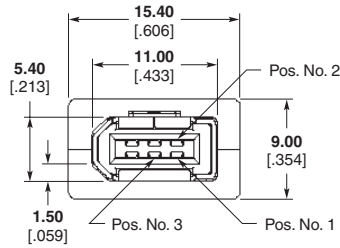
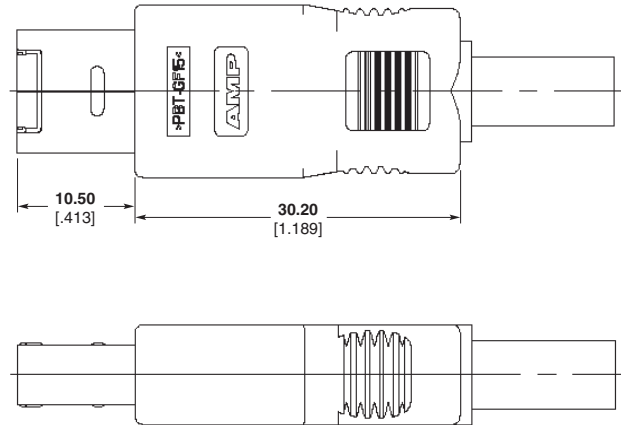
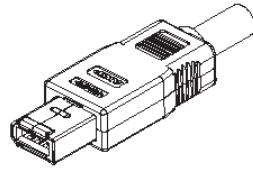
Material and Finish

Housing — Thermoplastic, UL94V-0, gray

Shell — Steel, tin over nickel plating

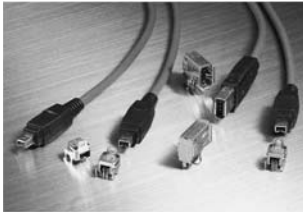
Contact — Copper alloy, gold or gold over palladium nickel, tin, nickel underplate

Ferrule — Copper alloy, tin over nickel plating



Note: All part numbers are RoHS compliant.

4 Position IEEE 1394 Connectors



The Mini IEEE 1394 serial bus can be used as a low cost high speed way to interconnect peripheral devices. This product has been implemented in applications connecting video cameras to PC's and set top boxes for home entertainment systems.

Description	Part Number	Orientation	SMT / Thru-Hole	Feature	T/L	Page Number
Receptacle	1-1734056-1	Right-Angle	Thru-Hole	Boss	2.6	7
	1-1734056-2	Right-Angle	Thru-Hole	Without Boss	2.6	8
	1318714-1	Vertical	Thru-Hole	Flange M1.6	2.0	9
	1318141-1	Right-Angle	SMT	Flange M1.6	N/A	10
	1318140-1	Right-Angle	SMT	Flange Ø2.1	N/A	11
	1734194-1	Edge Mount	SMT		N/A	12
	353388-1	Right-Angle	Thru-Hole	Flange M1.6	2.0	13
	1318138-1	Right-Angle	Thru-Hole	Flange M1.6 Tape & Reel	2.0	13
	1123843-1	Right-Angle	Thru-Hole	Flange M1.6	3.85	14
	1734681-1	Edge Mount	Thru-Hole		2.0	15
1674260-1	Right-Angle	Thru-Hole	Stacked	2.8	16	
Plug Kit	1717700-1	Plug Kit	N/A	N/A	N/A	17

Receptacle Assembly, Right-Angle, Thru-Hole

Part Number
1-1734056-1

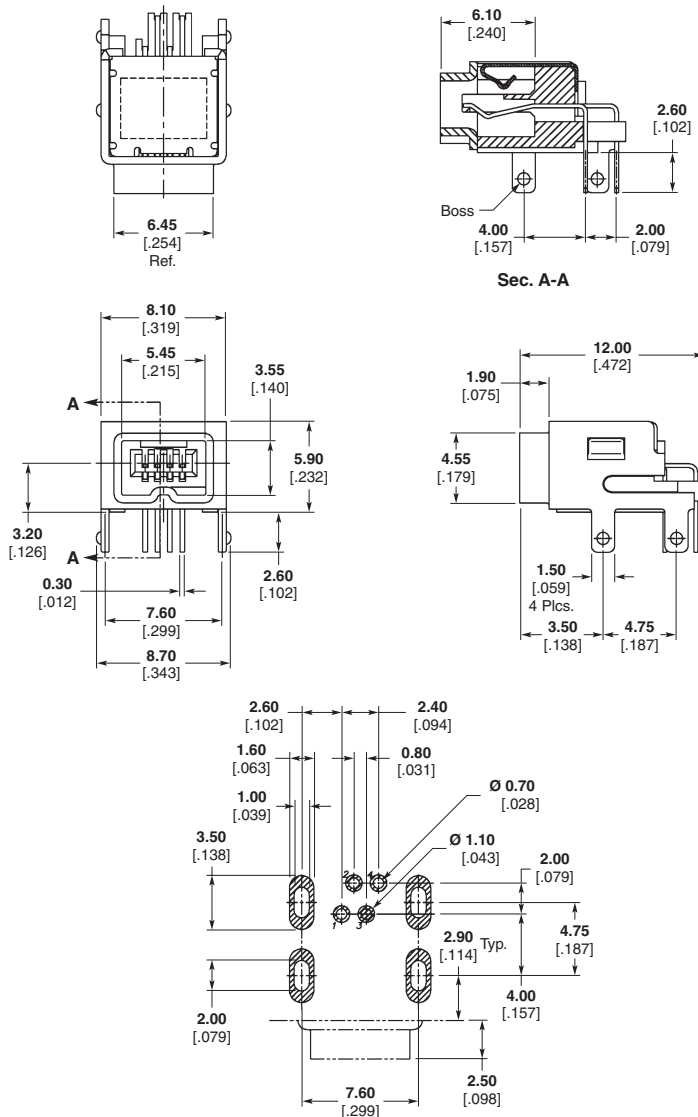
Material and Finish

Housing — Thermoplastic, UL94V-0, black

Contact — Copper alloy, gold and tin plated, nickel underplated

Front Shell — Steel, nickel plated

Back Shell — Steel



Recommended PCB Layout

Note: All part numbers are RoHS compliant.

4 Position Connectors (Continued)

**Receptacle Assembly,
Right-Angle, Thru-Hole**

Part Number
1-1734056-2

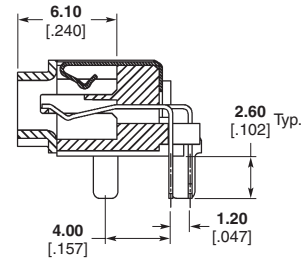
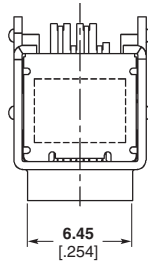
Material and Finish

Housing — Thermoplastic, UL94V-0, black

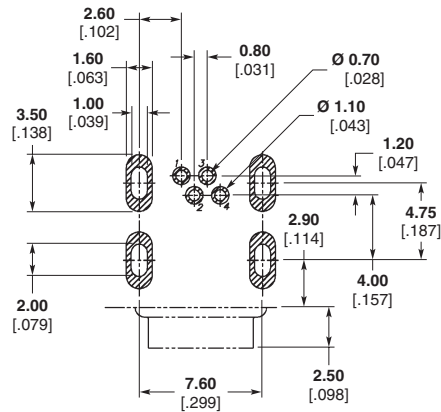
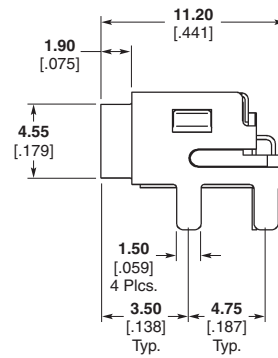
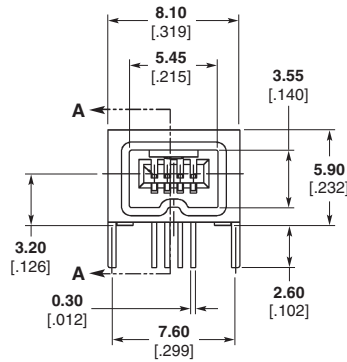
Contact — Copper alloy, gold and tin plated, nickel underplated

Front Shell — Steel, nickel plated

Back Shell — Steel



Sec. A-A



Recommended PCB Layout

Note: All part numbers are RoHS compliant.

4 Position Connectors (Continued)

**Receptacle Assembly,
Vertical, Thru-Hole**

Part Number
1318714-1

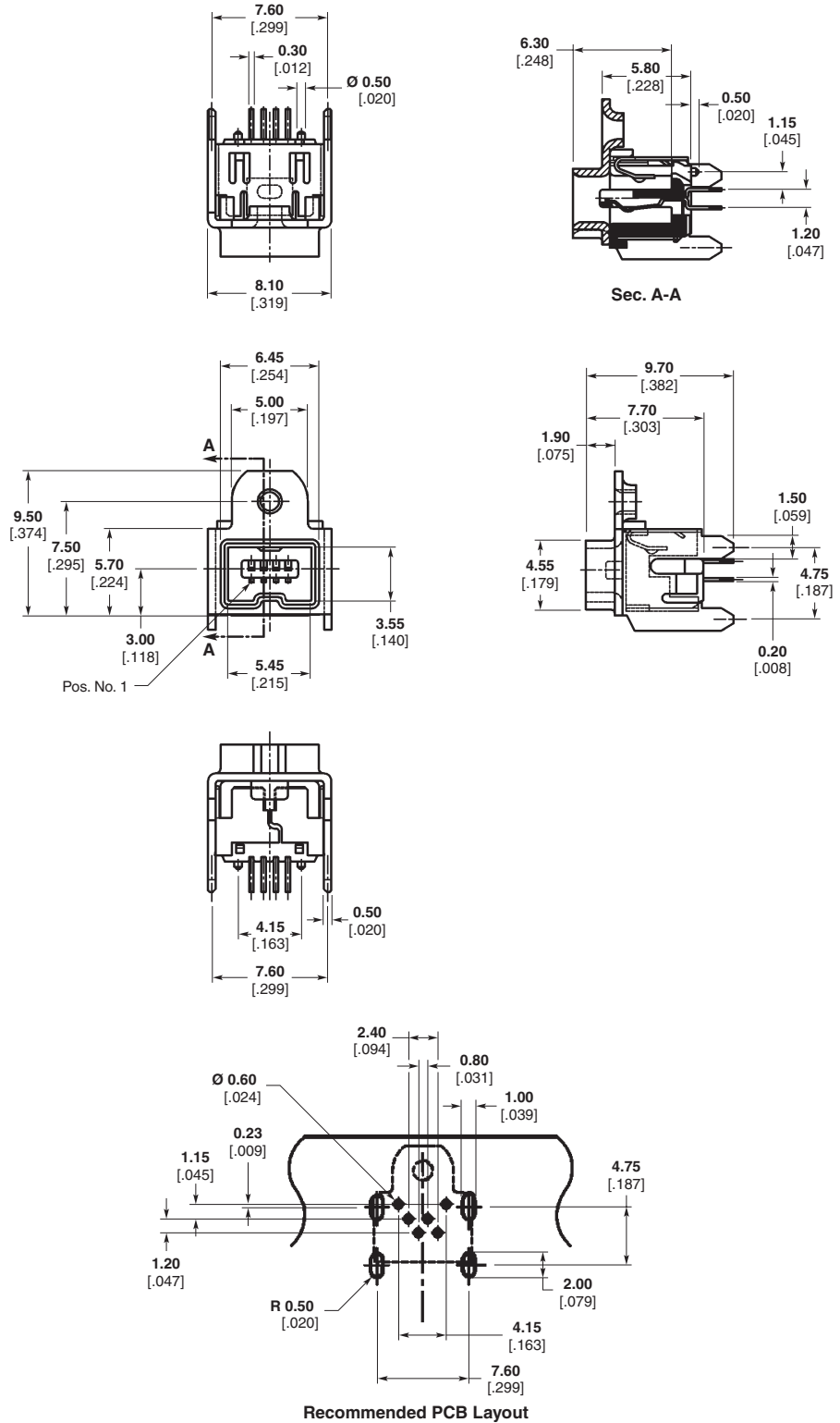
Material and Finish

Housing — Thermoplastic, UL94V-0, black

Contact — Copper alloy, gold and tin plated, nickel underplated

Front Shell — Copper alloy, tin plated over nickel

Back Shell — Copper alloy, tin plated



Note: All part numbers are RoHS compliant.

4 Position Connectors (Continued)

**Receptacle Assembly,
Right-Angle, Panel Mount,
SMT**

Part Number
1318141-1

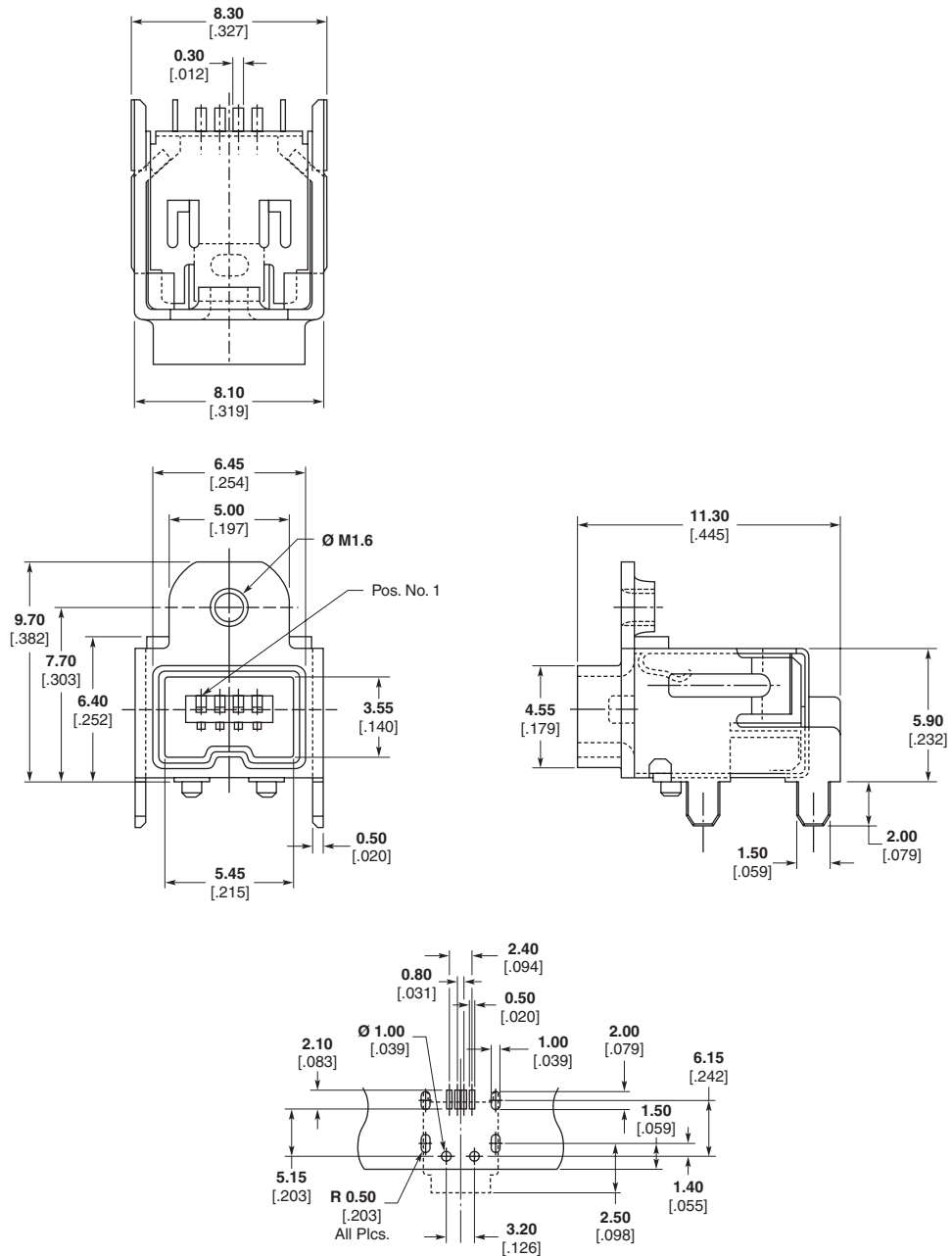
Material and Finish

Housing — Thermoplastic, UL94V-0, black

Contact — Copper alloy, gold and tin plated, nickel underplated

Front Shell — Copper alloy, tin plated

Back Shell — Copper alloy, tin plated



Recommended PCB Layout

Note: All part numbers are RoHS compliant.

4 Position Connectors (Continued)

**Receptacle Assembly,
Right-Angle, Panel Mount,
SMT**

Part Number
1318140-1

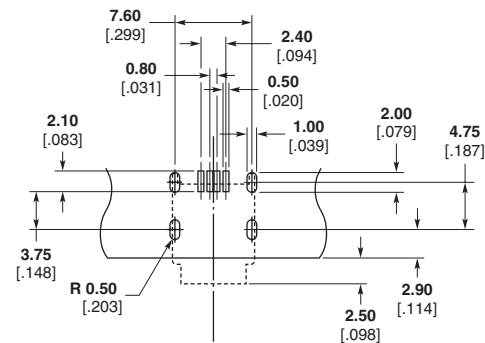
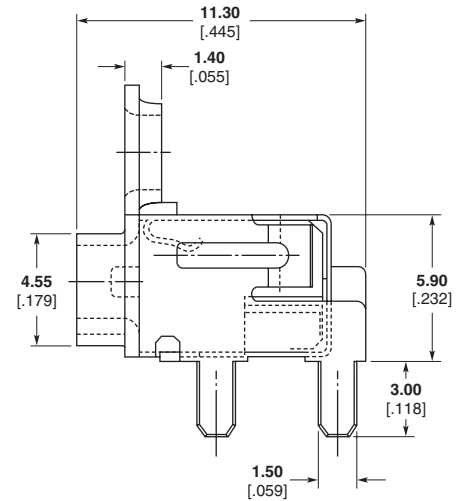
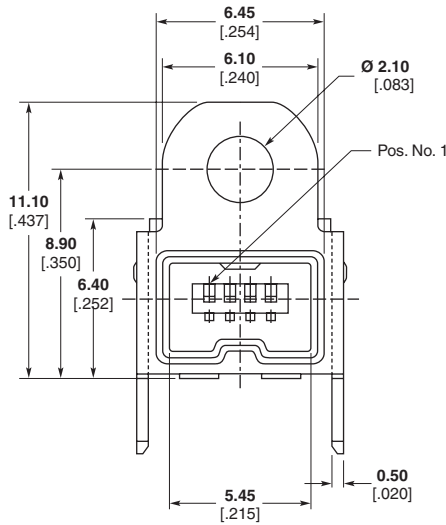
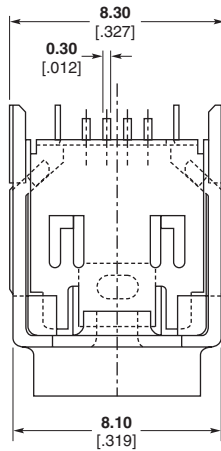
Material and Finish

Housing — Thermoplastic, UL94V-0, black

Contact — Copper alloy, gold and tin plated, nickel underplated

Front Shell — Copper alloy, tin plated

Back Shell — Copper alloy, tin plated



Recommended PCB Layout

Note: All part numbers are RoHS compliant.

4 Position Connectors (Continued)

Receptacle Assembly, Right-Angle, SMT

Part Number
1734194-1

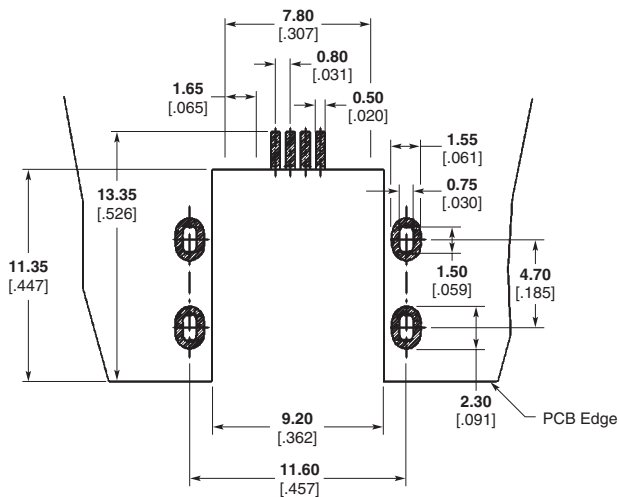
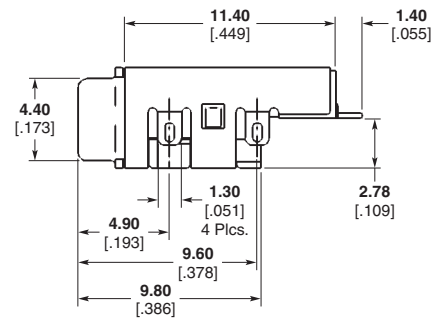
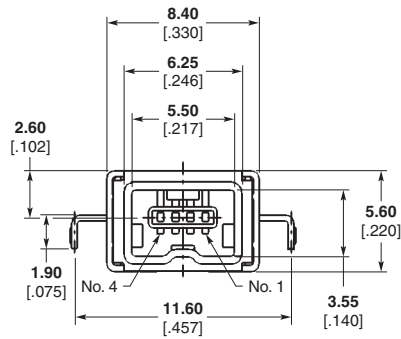
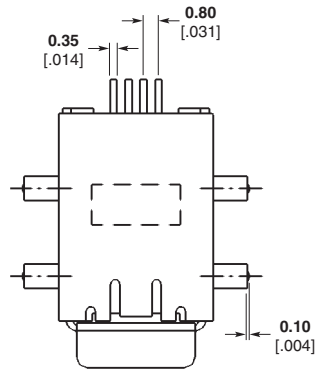
Material and Finish

Housing — Thermoplastic, UL94V-0, black

Contact — Copper alloy, gold and tin plated, nickel underplated

Front Shell — Steel alloy, nickel plated

Back Shell — Copper alloy, nickel plated



Recommended PCB Layout

Note: All part numbers are RoHS compliant.

4 Position Connectors (Continued)

**Receptacle Assembly,
Right-Angle, Panel Mount,
Thru-Hole**

Panel Mount Type with Boss (Pattern B)

**Panel Mount Type
With Boss (Mini)**

Part Number
353388-1
1318138-1 (Emboss Tape & Reel)

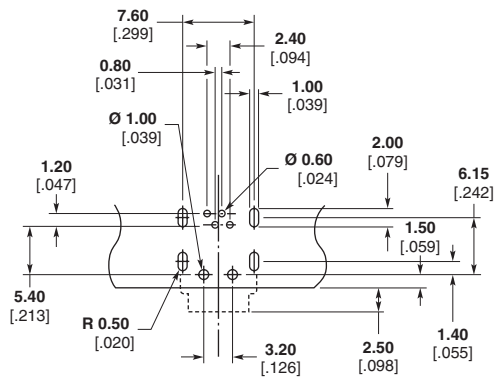
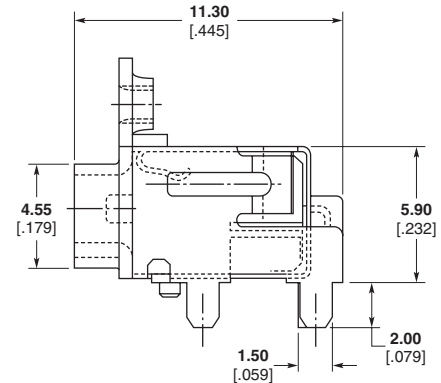
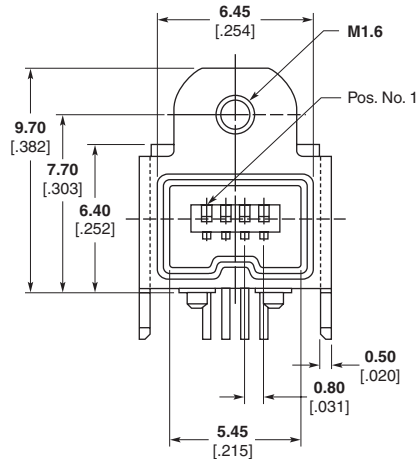
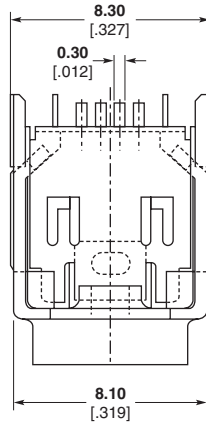
Material and Finish

Housing — Thermoplastic, UL94V-0,
black

Contact — Copper alloy, gold and tin
plated, nickel underplated

Front Shell — Copper alloy, tin plated

Back Shell — Copper alloy, tin plated



Recommended PCB Layout

Note: All part numbers are RoHS compliant.

4 Position Connectors (Continued)

**Receptacle Assembly,
Right-Angle, Panel Mount,
Thru-Hole**

Panel Mount Type with Boss (Pattern B)

**Panel Mount Type
With Boss (Mini)**

**Part Number
1123843-1**

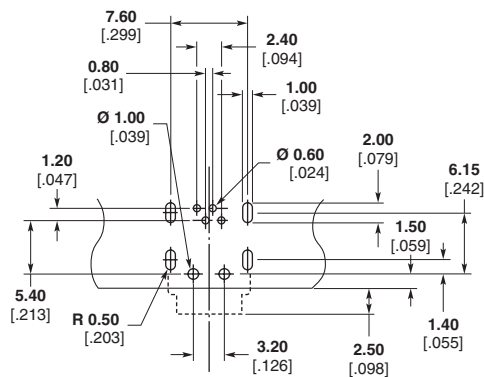
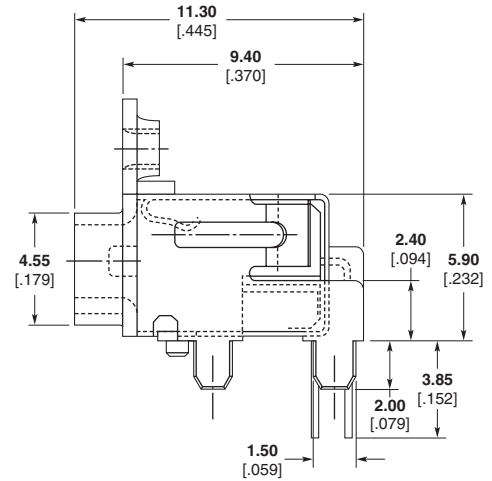
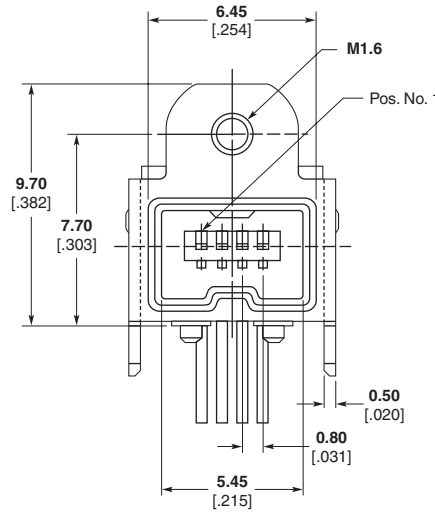
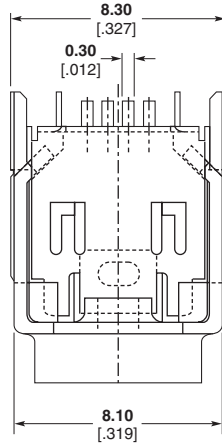
Material and Finish

Housing — Thermoplastic, UL94V-0, black

Contact — Copper alloy, gold and tin plated, nickel underplated

Front Shell — Copper alloy, tin plated

Back Shell — Copper alloy, tin plated



Recommended PCB Layout

Note: All part numbers are RoHS compliant.

4 Position Connectors (Continued)

**Receptacle Assembly,
Edge Mount, Thru-Hole,
DIP**

Part Number
1734681-1

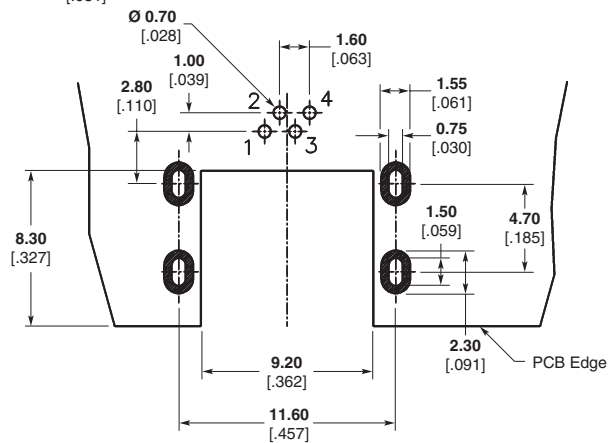
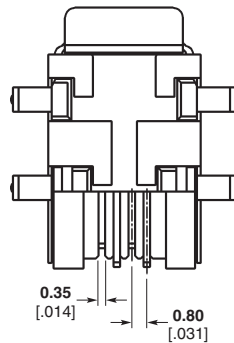
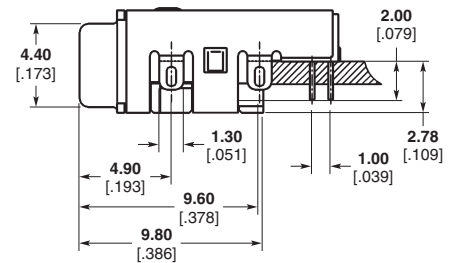
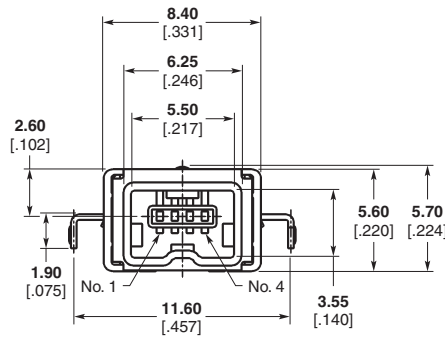
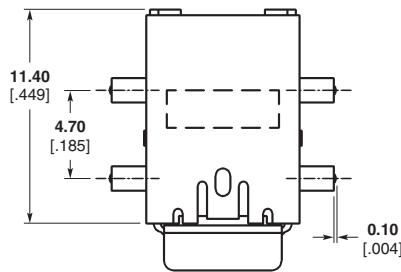
Material and Finish

Housing — Thermoplastic, UL94V-0, black

Contact — Copper alloy, gold and bright tin plated, nickel underplated

Front Shell — Steel, nickel plated, copper underplated

Back Shell — Copper alloy, nickel plated, copper underplated



Recommended PCB Layout

Note: All part numbers are RoHS compliant.

4 Position Connectors (Continued)

**Receptacle Assembly,
Right-Angle, Thru-Hole,
DIP, 2 Port Stacked**

Part Number
1674260-1

Material and Finish

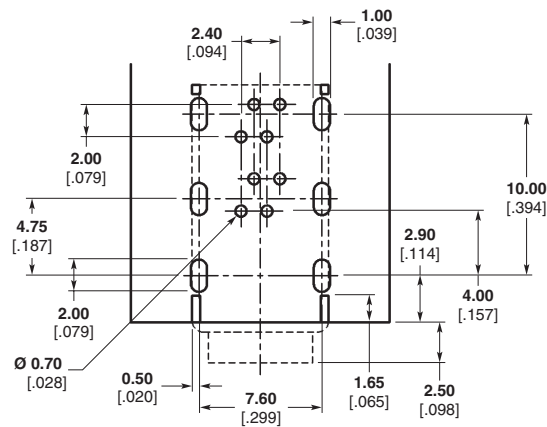
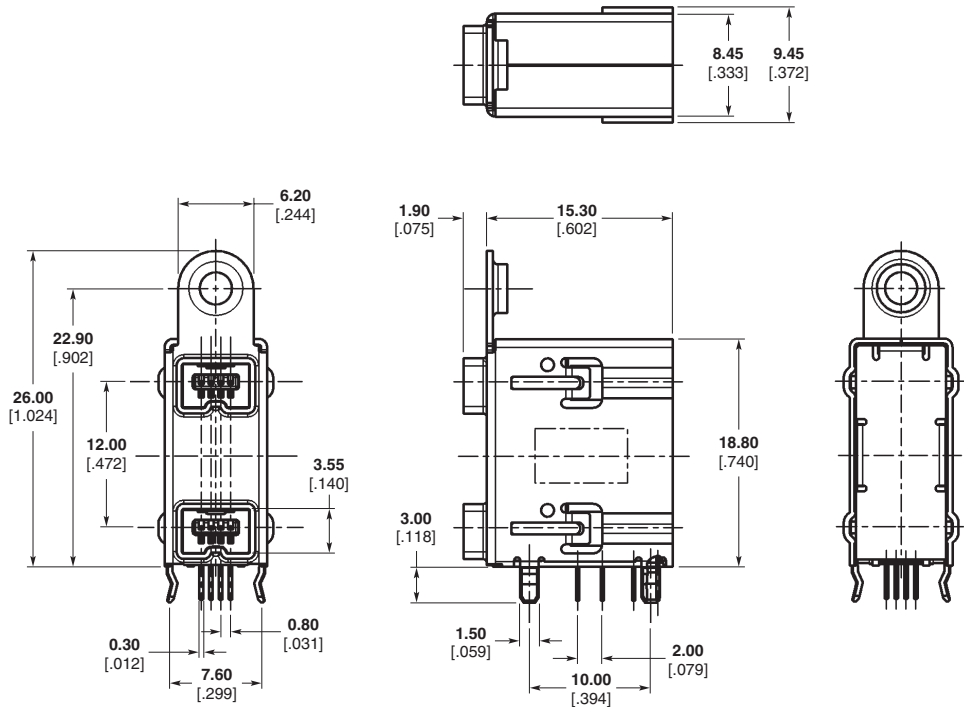
Housing — Thermoplastic, UL94V-0, black

Contact — Copper alloy, gold and tin plated, nickel underplated

Front Shell — Copper alloy, tin plated, nickel underplated

Back Shell — Copper alloy, tin plated, nickel underplated

Back Cover — Copper alloy, tin plated, nickel underplated



Recommended PCB Layout

Note: All part numbers are RoHS compliant.

4 Position Connectors (Continued)

Cable Kit

Part Number
1717700-1

Material and Finish

Sub Assembly,

Housing — Thermoplastic, UL94V-0, black

Spacer — Thermoplastic, UL94V-0, black

Contact — Copper alloy, gold plated, nickel underplated

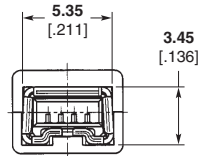
Lower Cover — Thermoplastic, UL94V-0, black

Upper Cover — Thermoplastic, UL94V-0, black

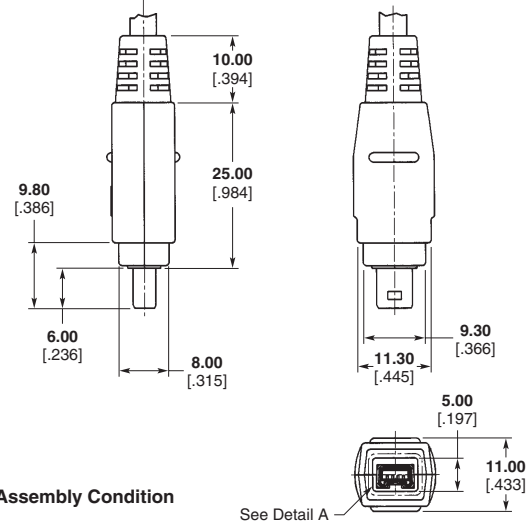
Lower Shield Case — Copper alloy, tin plated

Upper Shield Case — Copper alloy, tin plated

Bushing — Thermoplastic, black



Detail A



Assembly Condition

Note: All part numbers are RoHS compliant.

9 Position Connectors

Receptacle Assembly, Right-Angle, SMT

Description	Part Number	Orientation	SMT / Thru-Hole	Color	T/L	Page Number
Receptacle	1734047-1	Right-Angle	SMT	Black	SMT	18
Plug	1775021-1	Cable Plug	N/A	Black	N/A	19

Part Number 1734047-1

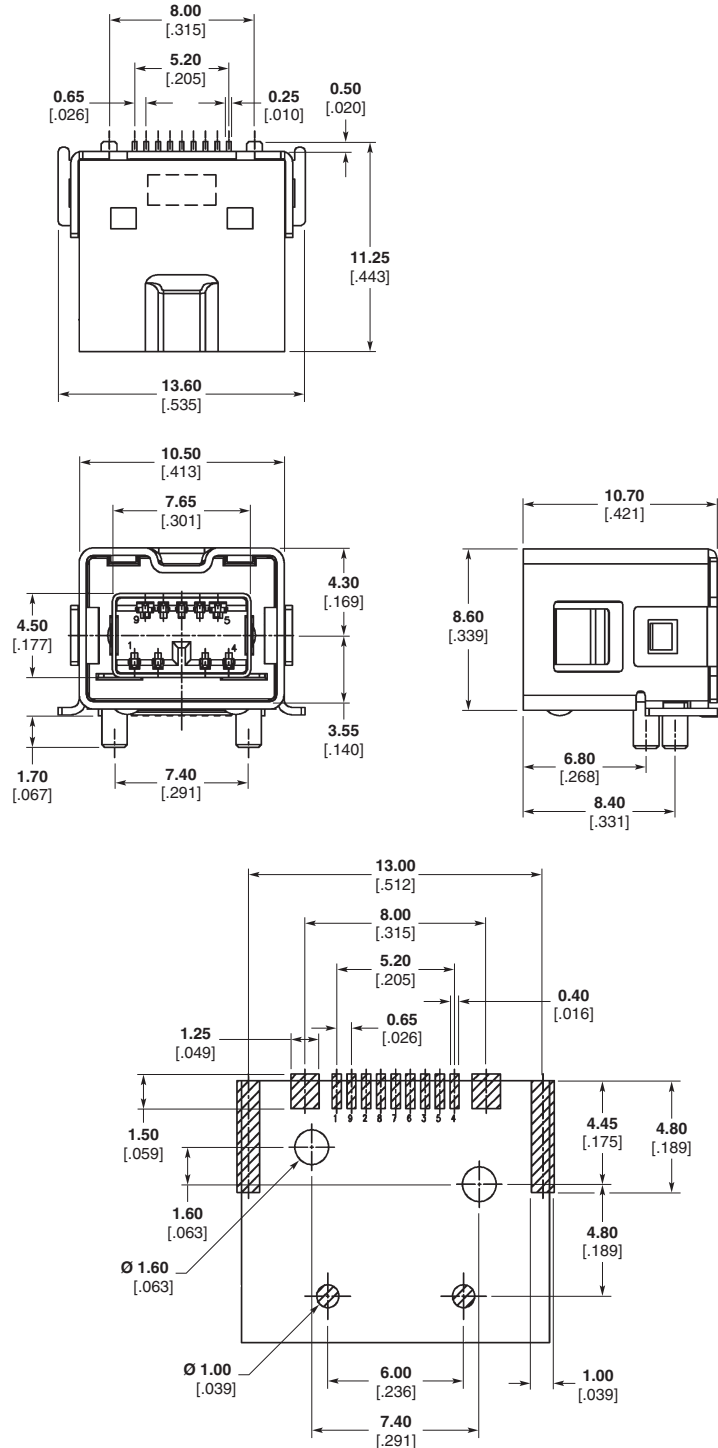
Material and Finish

Housing — Thermoplastic, UL94V-0, black

Contact — Copper alloy, gold and tin plated, nickel underplated

Inner Shell — Copper alloy, tin plated, copper underplated

Outer Shell — Copper alloy, tin plated, copper underplated



Recommended PCB Layout

Note: All part numbers are RoHS compliant.

9 Position Connectors (Continued)

Part Number
1775021-1
(Plug Kit — Unassembled)

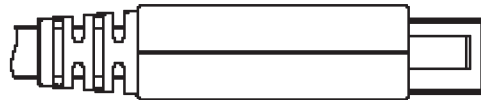
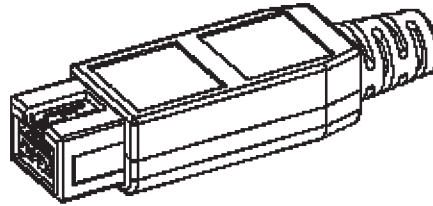
Material and Finish

Housings — Thermoplastic, UL94V-0, black

Contact — Copper alloy, gold and tin plated, nickel underplated

Shells — Copper alloy, nickel over copper plating

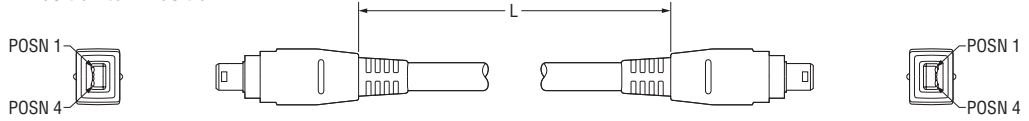
Back Shell — Steel, nickel over copper plating



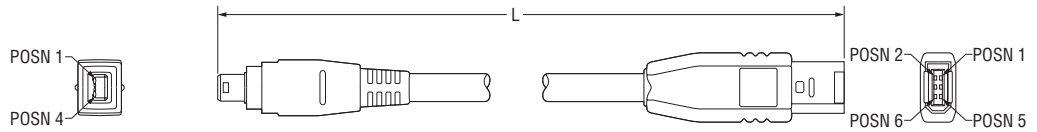
Note: All part numbers are RoHS compliant.

Cable Assemblies

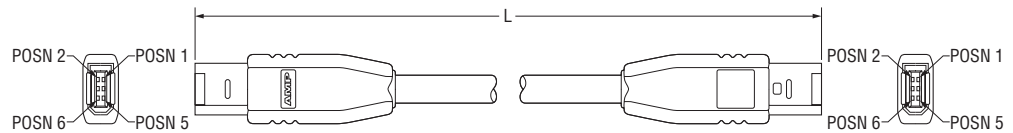
4-Position to 4-Position



4-Position to 6-Position



6-Position to 6-Position



	Length (m) : L	Part Number
4-Position to 4-Position	0.5	1123076-5
	1.0	1-1123076-0
	1.5	1-1123076-5
	2.0	2-1123076-0
	2.5	2-1123076-5
	3.0	3-1123076-0
	3.5	3-1123076-5
	4.0	4-1123076-0
	4.5	4-1123076-5
4-Position to 6-Position	0.3	1324771-1
	0.5	1324771-2
	0.7	1324771-3
	1.0	1324771-4
	2.0	1324771-5
	4.5	1324771-6
6-Position to 6-Position	0.3	1324770-1
	0.5	1324770-2
	0.7	1324770-3
	1.0	1324770-4
	2.0	1324770-5
	4.5	1324770-6

Note: All part numbers are RoHS compliant.

Part Number Index

Note: This index lists all cataloged parts by base no. only. Complete part nos. (with prefixes and/or suffixes) are shown on the page(s) indicated.

Part No.	Page	Part No.	Page	Part No.	Page
353388	7, 13	1324770	20	1734290	2, 4
1123076	20	1324771	20	1734368	2, 3
1123843	7, 14	1674260	7, 16	1734681	7, 15
1318138	7, 13	1717700	7, 17	1775021	18, 19
1318140	7, 11	1734047	18	5787950	2, 6
1318141	7, 10	1734056	7, 8	5787956	2, 5
1318714	7, 9	1734194	7, 12	5788516	2

Note: All part numbers are RoHS compliant.

Americas

Argentina — Buenos Aires
Phone: +54-11-4733-2200
Fax: +54-11-4733-2211

Brasil — São Paulo
Phone: +55-11-2103-6000
Fax: +55-11-2103-6030

Chile — Santiago
Phone: +56-2-345-0361
Fax: +56-2-223-1477

Canada — Toronto
Phone: +905-475-6222
Fax: +905-474-5520
Product Information Center:
Phone: +905-470-4425
Fax: +905-474-5525

Colombia — Bogota
Phone: +57-1-319-8959
Fax: +57-1-319-8960

Mexico — Mexico City
Phone: +52-55-1106-0800
+01-800-733-8926
Fax: +52-55-1106-0901

For Latin/South American Countries not shown
Phone: +54-11-4733-2015
Fax: +54-11-4733-2083

United States
Harrisburg, PA
Phone: +1-717-564-0100
Fax: +1-717-986-7575
Product Information Center:
Phone: +1-800-522-6752
Fax: +1-717-986-7575
Troy, MI
Phone: +1-248-273-3359
Fax: +1-248-273-3322

Asia/Pacific

Australia — Sydney
Phone: +61-2-9554-2600
Fax: +61-2-9502-2556
Product Information Center:
Phone: +61-2-9840-8200
Fax: +61-2-9634-6188

India — Bangalore
Phone: +91-80-285-40800
Fax: +91-80-285-40820

Indonesia — Jakarta
Phone: +65-6482-0311
Fax: +65-6482-1012

Japan — Kawasaki, Kanagawa
Phone: +81-44-844-8111
Fax: +81-44-812-3207
Product Information Center:
Phone: +81-44-844-8013
Fax: +81-44-812-3200

Korea — Seoul
Phone: +82-2-3415-4500
Fax: +82-2-3486-3810

Malaysia — Selangor
Phone: +60-3-7805-3055
Fax: +60-3-7805-3066

New Zealand — Auckland
Phone: +64-9-634-4580
Fax: +64-9-634-4586

Philippines — Makati City
Phone: +632-848-0171
Fax: +632-867-8661

People's Republic of China
Hong Kong
Phone: +852-2735-1628
Fax: +852-2735-0243
Shanghai
Phone: +86-21-2407-1588
Fax: +86-21-2407-1599

Singapore — Singapore
Phone: +65-6482-0311
Fax: +65-6482-1012

Taiwan — Taipei
Phone: +886-2-8768-2788
Fax: +886-2-8768-2268

Thailand — Bangkok
Phone: +66-2-955-0500
Fax: +66-2-955-0505

Vietnam — Ho Chi Minh City
Phone: +84-8-930-5546
Fax: +84-8-930-3443

Europe/Middle East/Africa

Austria — Vienna
Phone: +43-1-905-60-0
Fax: +43-1-905-60-1333
Product Information Center:
Phone: +43-1-905-60-1249
Fax: +43-1-905-60-1251

Belarus — Minsk
Phone: +375 17 237 47 94
Fax: +375 17 237 47 94

Belgium — Kessel-Lo
Phone: +32-16-352-300
Fax: +32-16-352-355

Bulgaria — Sofia
Phone: +359-2-971-2152
Fax: +359-2-971-2153

Czech Republic and Slovakia
Czech Republic — Kurim
Phone: +420-541-162-111
Fax: +420-541-162-223
Product Information Center:
Phone: +420-541-162-113
Fax: +420-541-162-132

Denmark — Glostrup
Phone: +45-43-48-04-00
Fax: +45-43-44-14-14

Egypt — Cairo
Phone: +202-419-2334
Fax: +202-417-7647

Estonia — Tartu
Phone: +372-5138-274
Fax: +372-7400-779

Finland — Helsinki
Phone: +358-95-12-34-20
Fax: +358-95-12-34-250

France — Cergy-Pontoise Cedex
Phone: +33-1-3420-8888
Fax: +33-1-3420-8600
Product Information Center:
Phone: +33-1-3420-8686
Fax: +33-1-3420-8623

France Export Divisions —
Cergy-Pontoise Cedex
Phone: +33-1-3420-8804
Fax: +33-1-3420-8699

Germany — Bensheim
Phone: +49-6251-133-0
Fax: +49-6251-133-1600
Product Information Center:
Phone: +49-6251-133-1999
Fax: +49-6251-133-1988

Greece — Athens
Phone: +30-210-9370-396/397
Fax: +30-210-9370-655

Hungary — Budapest
Phone: +36-1-289-1000
Fax: +36-1-289-1010
Product Information Center:
Phone: +36-1-289-1016
Fax: +36-1-289-1017

Ireland — Dublin
Phone: +353-1-866-5612
Fax: +353-1-866-5714

Israel — Petach-Tikva
Phone: +972-3-929-0999
Fax: +972-3-919-1088

Italy — Collegno (Torino)
Phone: +39-011-4012-111
Fax: +39-011-4031-116
Product Information Center:
Phone: +39-011-4012-428
Fax: +39-011-40-287-428

Lithuania and Latvia
Lithuania — Vilnius
Phone: +370-5-213-1402
Fax: +370-5-213-1403
Product Information Center:
Phone: +370-5-211-3016
Fax: +370-5-213-1403

Netherlands — s-Hertogenbosch
Phone: +31-73-6246-246
Fax: +31-73-6212-365
Product Information Center:
Phone: +31-73-6246-999
Fax: +31-73-6246-998

Norway — Nesbru
Phone: +47-66-77-88-50
Fax: +47-66-77-88-55

Poland — Warsaw
Phone: +48-22-4576-700
Fax: +48-22-4576-720
Product Information Center:
Phone: +48-22-4576-704
Fax: +48-22-4576-720

Romania — Bucharest
Phone: +40-21-311-3479/3596
Fax: +40-21-312-0574

Russia — Moscow
Phone: +7-495-790-7902
Fax: +7-495-721-1893
Product Information Center:
Phone: +7-495-790-7902-404
Fax: +7-495-790-7902-401

Russia — St. Petersburg
Phone: +7-812-718-8192
Fax: +7-812-718-8193

Slovenia — Ljubljana
Phone: +386-1561-3270
Fax: +386-1561-3240
South Africa — Port Elizabeth
Phone: +27-41-503-4500
Fax: +27-41-581-0440

Spain — Barcelona
Phone: +34-93-291-0330
Fax: +34-93-201-7879

Sweden — Upplands V. by
Phone: +46-8-50-72-50-00
Fax: +46-8-50-72-50-01

Switzerland — Steinach
Phone: +41-71-447-0447
Fax: +41-71-447-0444

Turkey — Istanbul
Phone: +90-212-281-8181/2/3
+90-212-282-5130/5430
Fax: +90-212-281-8184

Ukraine — Kiev
Phone: +380-44-206-2265
Fax: +380-44-206-2264
Product Information Center:
Phone: +380-44-206-2265
Fax: +380-44-206-2264

United Kingdom —
Stanmore, Middlesex
Phone: +44-8706-080208
Fax: +44-208-954-6234
Product Information Center:
Freephone (UK only):
0800-267-666
Phone: +44-8706-080208
Fax: +44-208-420-8095