



Chipsmall Limited consists of a professional team with an average of over 10 year of expertise in the distribution of electronic components. Based in Hongkong, we have already established firm and mutual-benefit business relationships with customers from,Europe,America and south Asia,supplying obsolete and hard-to-find components to meet their specific needs.

With the principle of “Quality Parts,Customers Priority,Honest Operation,and Considerate Service”,our business mainly focus on the distribution of electronic components. Line cards we deal with include Microchip,ALPS,ROHM,Xilinx,Pulse,ON,Everlight and Freescale. Main products comprise IC,Modules,Potentiometer,IC Socket,Relay,Connector.Our parts cover such applications as commercial,industrial, and automotives areas.

We are looking forward to setting up business relationship with you and hope to provide you with the best service and solution. Let us make a better world for our industry!



## Contact us

Tel: +86-755-8981 8866 Fax: +86-755-8427 6832

Email & Skype: info@chipsmall.com Web: www.chipsmall.com

Address: A1208, Overseas Decoration Building, #122 Zhenhua RD., Futian, Shenzhen, China



THIS DRAWING IS UNPUBLISHED. RELEASED FOR PUBLICATION  
 © COPYRIGHT 19 ALL RIGHTS RESERVED.

LOC	DIST	REVISIONS						
		P	LTR	DESCRIPTION	DATE	DWN	APVD	
J			B2	REVISED	ECR-11-011495	02JUN11	TS	KB

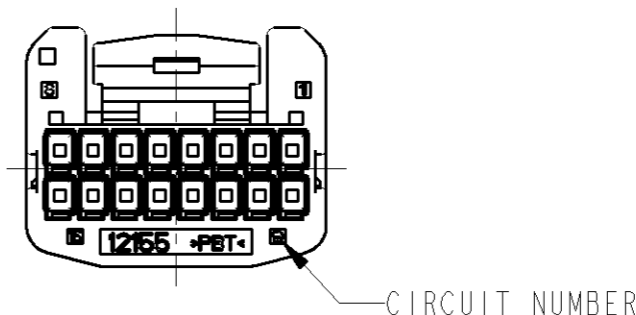
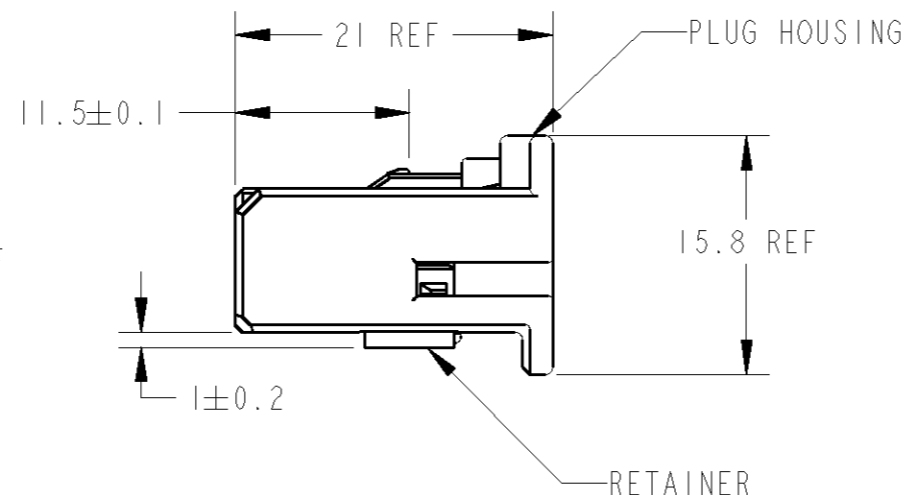
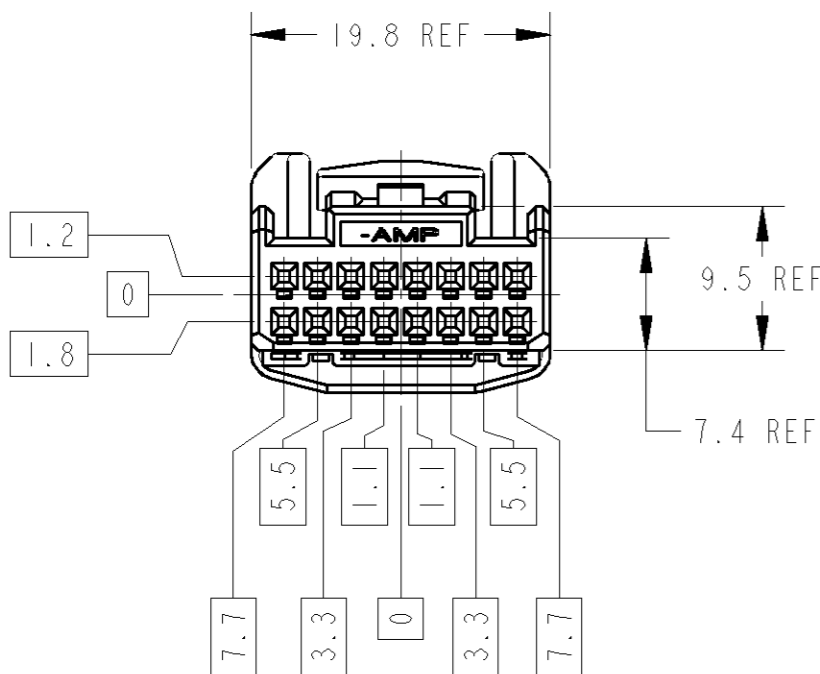
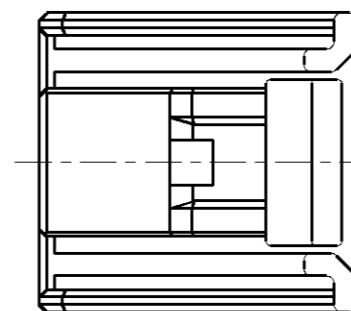


TABLE-1

POS 極数	CAP ASSEMBLY PART NO キャップ 型番
16	1318382

TABLE-2

SIGNAL		TERMINAL NO 端子型番	APPLICABLE WIRE RANGE 適用電線
025	TIN	1123343-1	AVSS/CAVUS/AVSSH-f 0.3~0.5mm <sup>2</sup> CAVS 0.22~0.5mm <sup>2</sup>

PAPER BOX ダンボール	PLASTIC BAG ビニール袋	COLOR	PART NUMBER
OUTER 外装	INNER 内装	BLACK	1318386-2
		NATURAL	1318386-1

1. RETAINER SHOULD BE SET TO THE PRE- ASSEMBLY POSITION WITHIN THE PLUG HOUSING WHEN SHIPPED TO THE CUSTOMER
  2. THE RETENTION LATCH OF THE RETAINER MUST BE OUT SIDE OF PLUG HOUSING WHEN PRE-ASSEMBLY
  3. RETAINER RETENTION FORCE FROM HOUSING : 20N MIN
  4. INSTRUCTION SHEET NO : 411-5928
  5. PART NUMBER OF CAP HOUSING TO BE MATED : SEE TABLE -1
  6. APPLIED TERMINAL : SEE TABLE -2
- △ RETAINER IS THE SAME COLOR AS HOUSING.

1. プラグハウジングにリテーナーを仮止して出荷する
  2. 仮止時リテーナー突起がハウジングの外側に出ていること
  3. リテーナーの仮止保持力は 20N 以上
  4. 取扱い説明書 NO : 411-5928
  5. 嵌合相手型番は TABLE -1参照
  6. 適用端子は TABLE -2参照
- △ リテーナーはハウジング本体と同色とする。

THIS DRAWING IS A CONTROLLED DOCUMENT.		DWN Y. NOGUCHI	10MAR00	<b>TE</b> TE Connectivity	
DIMENSIONS: 単位: 概 mm		CHK N. SAI	10MAR00		
TOLERANCES UNLESS OTHERWISE SPECIFIED: 一般公差 = ± 0.3		APVD N. SAI	10MAR00	NAME 名称 025 SERIES 16POSITION PLUG HOUSING ASSEMBLY	
0-PLC ± 1-PLC ±0.5 2-PLC ±0.13 3-PLC ±0.013 4-PLC ±0.000J ANGLES ±3'00"		PRODUCT SPEC 製品規格 108-5668		DRAWING NO 番号 C=1318386	
MATERIAL 材料 PBT		FINISH 仕上 NATURAL		APPLICATION SPEC 取付適用規格 114-5250	
		WEIGHT 2.78 g		SIZE A3	CAGE CODE 00779
		CUSTOMER DRAWING		SCALE 尺度 5:1	SHEET 1 OF 1
				RESTRICTED TO REV B2	