



Chipsmall Limited consists of a professional team with an average of over 10 year of expertise in the distribution of electronic components. Based in Hongkong, we have already established firm and mutual-benefit business relationships with customers from,Europe,America and south Asia,supplying obsolete and hard-to-find components to meet their specific needs.

With the principle of "Quality Parts,Customers Priority,Honest Operation,and Considerate Service",our business mainly focus on the distribution of electronic components. Line cards we deal with include Microchip,ALPS,ROHM,Xilinx,Pulse,ON,Everlight and Freescale. Main products comprise IC,Modules,Potentiometer,IC Socket,Relay,Connector.Our parts cover such applications as commercial,industrial, and automotives areas.

We are looking forward to setting up business relationship with you and hope to provide you with the best service and solution. Let us make a better world for our industry!



Contact us

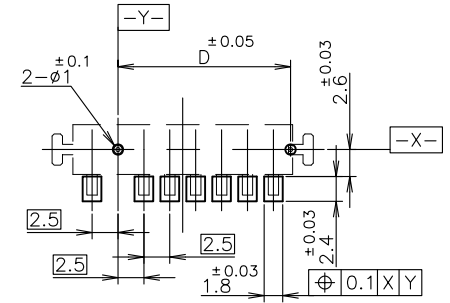
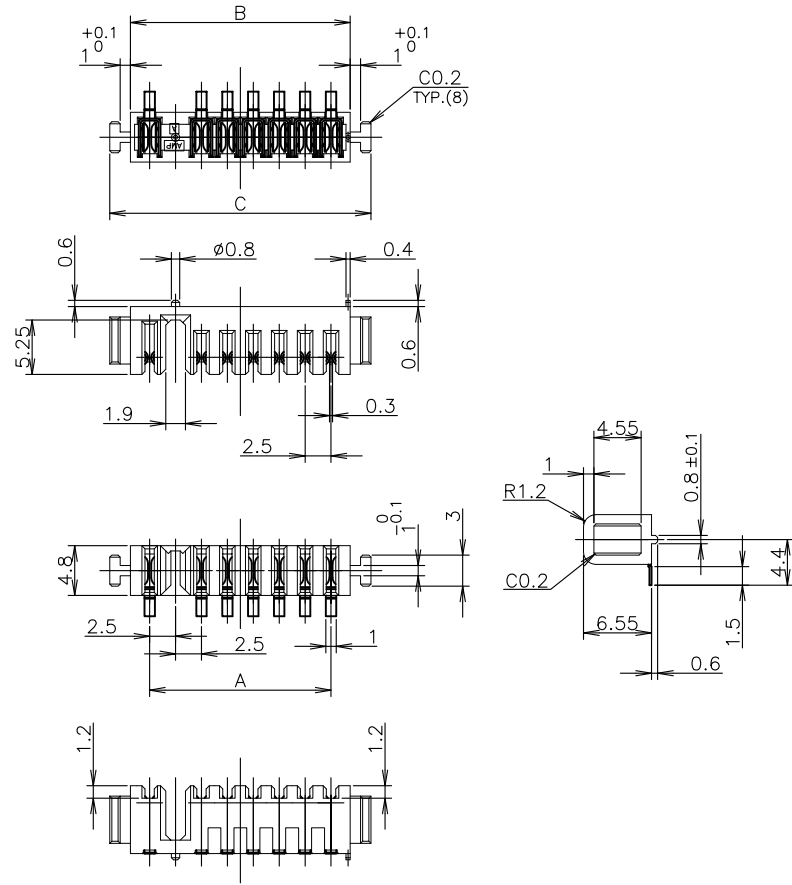
Tel: +86-755-8981 8866 Fax: +86-755-8427 6832

Email & Skype: info@chipsmall.com Web: www.chipsmall.com

Address: A1208, Overseas Decoration Building, #122 Zhenhua RD., Futian, Shenzhen, China



LOC	DIST	REVISIONS			
P	LTR	DESCRIPTION	DATE	DWN	APVD
ES		B1	REVISED ECR-08-009526	15MAR2008	A.S S.Y



REFERENCE P.C. BOARD LAYOUT
 P.C. BOARD THK 0.8~1.2
 (VIEW FROM CONNECTOR MOUNTING SIDE)

- △ MATERIAL HOUSING : THERMOPLASTIC RESIN , UL94V-0
 COLOR ; BLACK
 CONTACT : COPPER ALLOY
- △ FINISH CONTACT : Ni ALL OVER UNDER PLATING
 Pd-Ni PLATING AT CONTACT AREA
 Au FLASH PLATING AT CONTACT AREA
 TIN PLATING AT LEAD AREA

3. CONNECTOR TO BE MATED : 1318573-4

24.15	32.7	28.7	25	10	
21.65	30.2	26.2	22.5	9	
19.15	27.7	23.7	20	8	
16.65	25.2	21.2	17.5	7	1318574-4
14.15	22.7	18.7	15	6	
11.65	20.2	16.2	12.5	5	
9.15	17.7	13.7	10	4	
D	C	B	A	N (POS)	P/N

GENERAL TOLERANCE
 10 ≥ : ±0.2
 30 ≥ > 10 : ±0.25
 100 ≥ > 30 : ±0.3
 ANGLES : ±3°

THIS DRAWING IS A CONTROLLED DOCUMENT.		DWN T.KUSUHARA 17MAY99	Tyco Electronics Corporation Shanghai P.R.CHINA	
DIMENSIONS: mm		CHK T.YAMADA 17MAY99	NAME RECEPTACLE ASSEMBLY 2.5mm PITCH BATTERY CONNECTOR REVERSE SEQUENTIAL PIN	
TOLERANCES UNLESS OTHERWISE SPECIFIED: 0 PLC ± - 1 PLC ± - 2 PLC ± - 3 PLC ± - 4 PLC ± - ANGLES ± -		APVD T.YAMADA 17MAY99	DRAWING NO 108-5599	
MATERIAL		PRODUCT SPEC 108-5599	RESTRICTED TO	
FINISH		APPLICATION SPEC	SIZE A3	CAGE CODE 00779
-1		WEIGHT	G=1318574	
-2		CUSTOMER DRAWING		SCALE 2:1 SHEET 1 OF 1 REV B1