



Chipsmall Limited consists of a professional team with an average of over 10 year of expertise in the distribution of electronic components. Based in Hongkong, we have already established firm and mutual-benefit business relationships with customers from,Europe,America and south Asia,supplying obsolete and hard-to-find components to meet their specific needs.

With the principle of “Quality Parts,Customers Priority,Honest Operation,and Considerate Service”,our business mainly focus on the distribution of electronic components. Line cards we deal with include Microchip,ALPS,ROHM,Xilinx,Pulse,ON,Everlight and Freescale. Main products comprise IC,Modules,Potentiometer,IC Socket,Relay,Connector.Our parts cover such applications as commercial,industrial, and automotives areas.

We are looking forward to setting up business relationship with you and hope to provide you with the best service and solution. Let us make a better world for our industry!



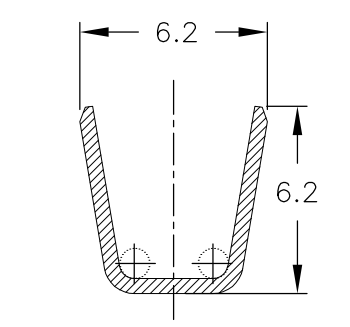
## Contact us

Tel: +86-755-8981 8866 Fax: +86-755-8427 6832

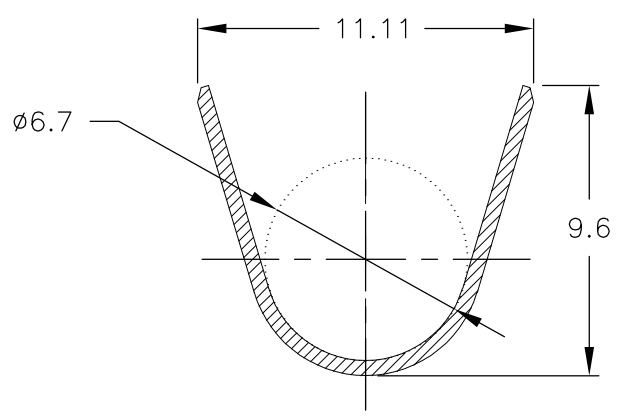
Email & Skype: info@chipsmall.com Web: www.chipsmall.com

Address: A1208, Overseas Decoration Building, #122 Zhenhua RD., Futian, Shenzhen, China

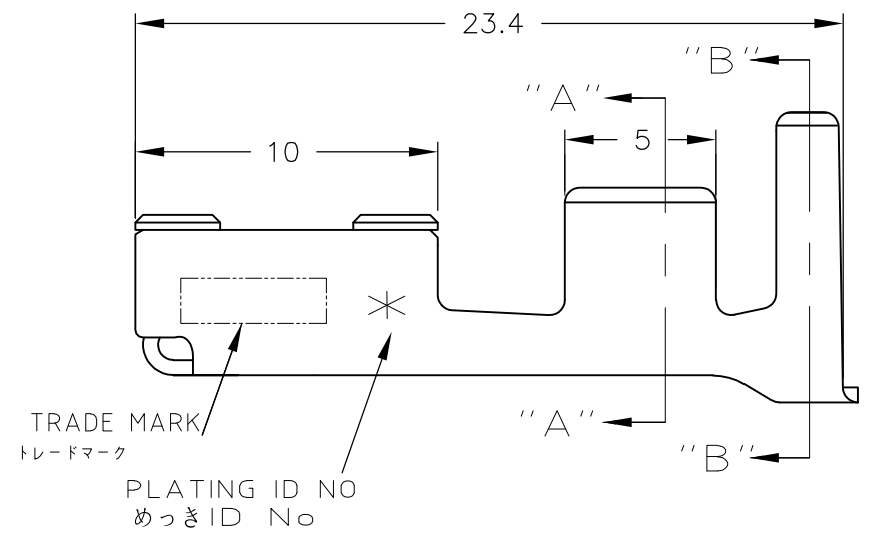
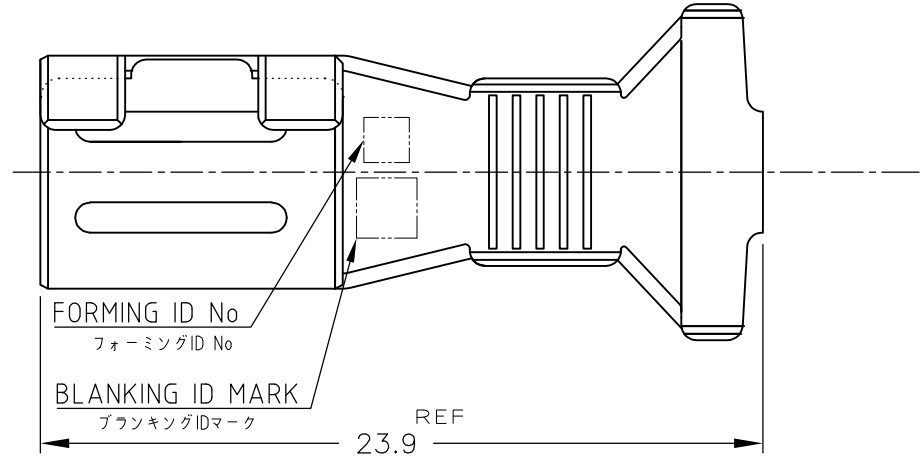
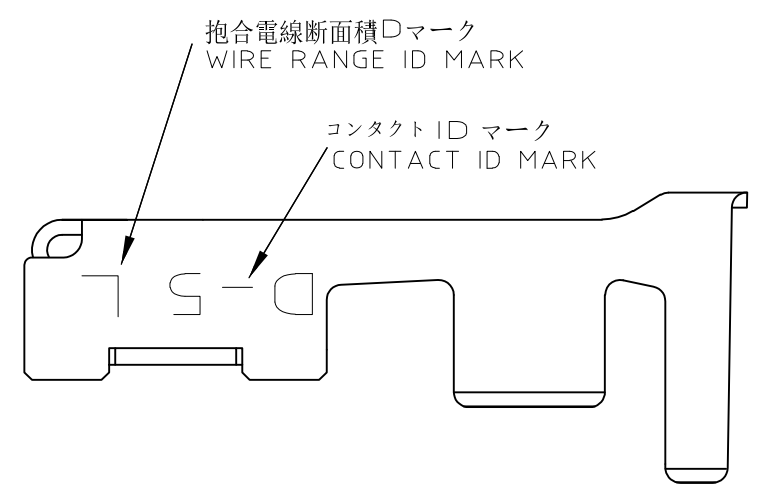
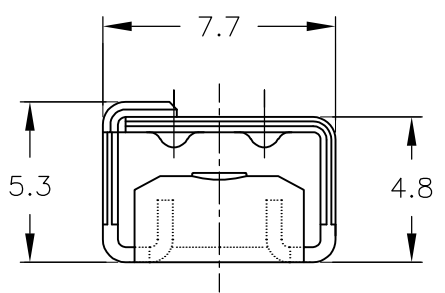




断面 "A"- "A"  
SECT "A"- "A"



断面 "B"- "B"  
SECT "B"- "B"



注記

- ①めっき : コンタクト  
Ni下地の上に2.54 μm MIN銀めっき
- ②めっき : コンタクト:全面Ni下地  
接触部: 0.38 μm MIN金めっき

製品規格: 108-5453  
取付け適用規格: 114-5206

NOTES

- ① FINISH(CONTACT AREA): ALL OVER 2.54 μm MIN SILVER PLATING OVER Ni PLATING.
- ② FINISH(CONTACT AREA): 0.38 μm MIN GOLD PLATING OVER Ni PLATING.

PRODUCT SPEC. 108-5453  
APPLICATION SPEC. 114-5206

2	②	1318697-2
6	①	1318697-6
めっき ID No	仕上(FINISH)	バラ状 L/P
PL ID CODE		型番 (P/N)

				<b>STE</b> TE Connectivity				
C	REVISED(ECR-15-012875)	K.K.E.T	2SEP 2015	抱合電線断面積 (WIRE RANGE)	被覆外径 (INSULATION DIA.)	名称 (NAME)		
B	REVISED (FJD0-0170-03)	T.S.S.M	2MAY 2003	AWG #8	4.9/7.8 mm φ	REC CONTACT "L" SIZE リセ コンタクト "L" サイズ <DYNAMIC D-5 SERIES>		
A1	REVISED (FJ00-2717-01)	T.S.S.M	26NOV '01	材料 (MATERIAL)	仕上 (FINISH)	一般公差 (GENERAL TOLERANCE)		
A	REVISED (FJ00-0491-01)	T.S.S.M	13MAR '01	銅合金 (COPPER ALLOY)	表参照 (SEE TABLE)	SIZE LOC 番号(No.)		
O	RELEASED (FJ00-0887-99)	K.I.Y.K	10FEB '00	DR. K.IKEDA 10/FEB/'00	DE. K.IKEDA 10/FEB/'00	10以下 : ±0.3 10を超え30以下 : ±0.35 30を超え100以下 : ±0.4 角度 : ±3°	A3 J	1318697
LTR	変更 (REVISION RECORD)	DR	CHK DATE	CHK. Y.KATO 10/FEB/'00	APP. I.HASEGAWA 10/FEB/'00	尺度 (SCALE)	REV. C	SHEET 1 OF 1
						4-1		