



Chipsmall Limited consists of a professional team with an average of over 10 year of expertise in the distribution of electronic components. Based in Hongkong, we have already established firm and mutual-benefit business relationships with customers from,Europe,America and south Asia,supplying obsolete and hard-to-find components to meet their specific needs.

With the principle of “Quality Parts,Customers Priority,Honest Operation,and Considerate Service”,our business mainly focus on the distribution of electronic components. Line cards we deal with include Microchip,ALPS,ROHM,Xilinx,Pulse,ON,Everlight and Freescale. Main products comprise IC,Modules,Potentiometer,IC Socket,Relay,Connector.Our parts cover such applications as commercial,industrial, and automotives areas.

We are looking forward to setting up business relationship with you and hope to provide you with the best service and solution. Let us make a better world for our industry!



## Contact us

Tel: +86-755-8981 8866 Fax: +86-755-8427 6832

Email & Skype: info@chipsmall.com Web: www.chipsmall.com

Address: A1208, Overseas Decoration Building, #122 Zhenhua RD., Futian, Shenzhen, China



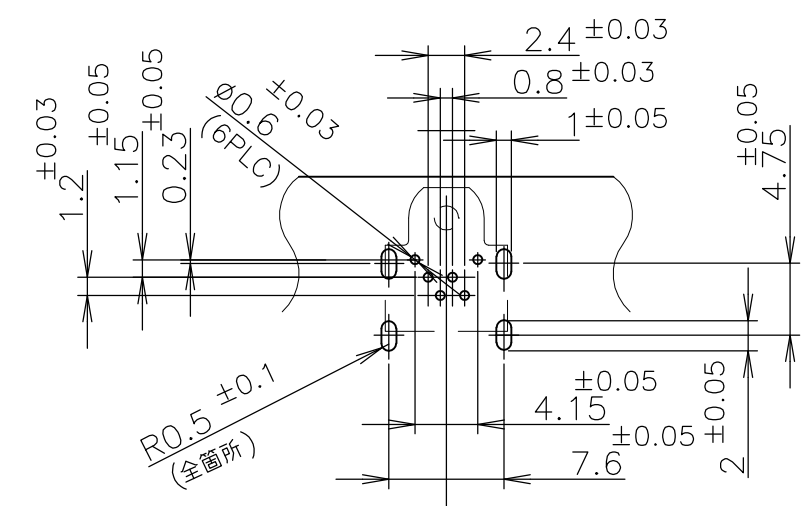
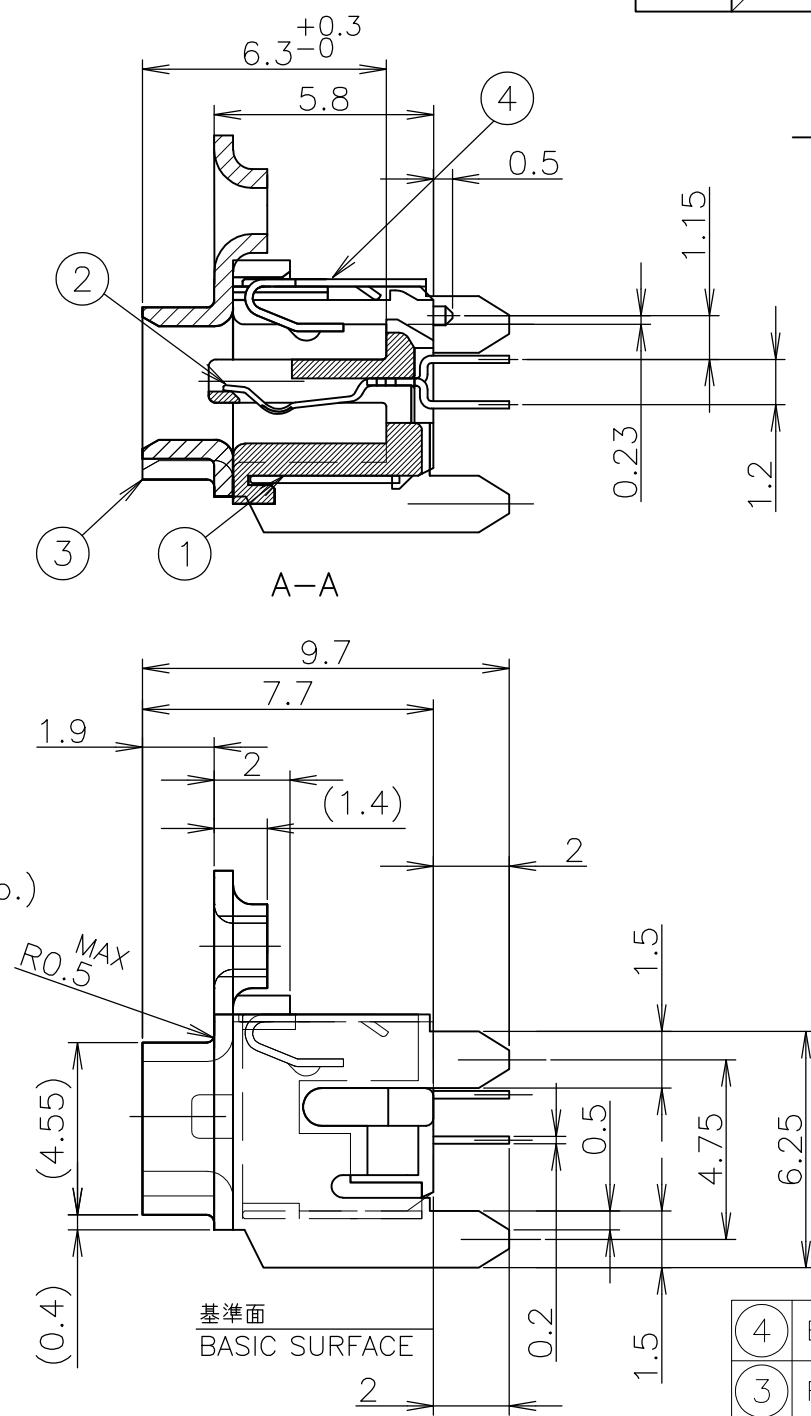
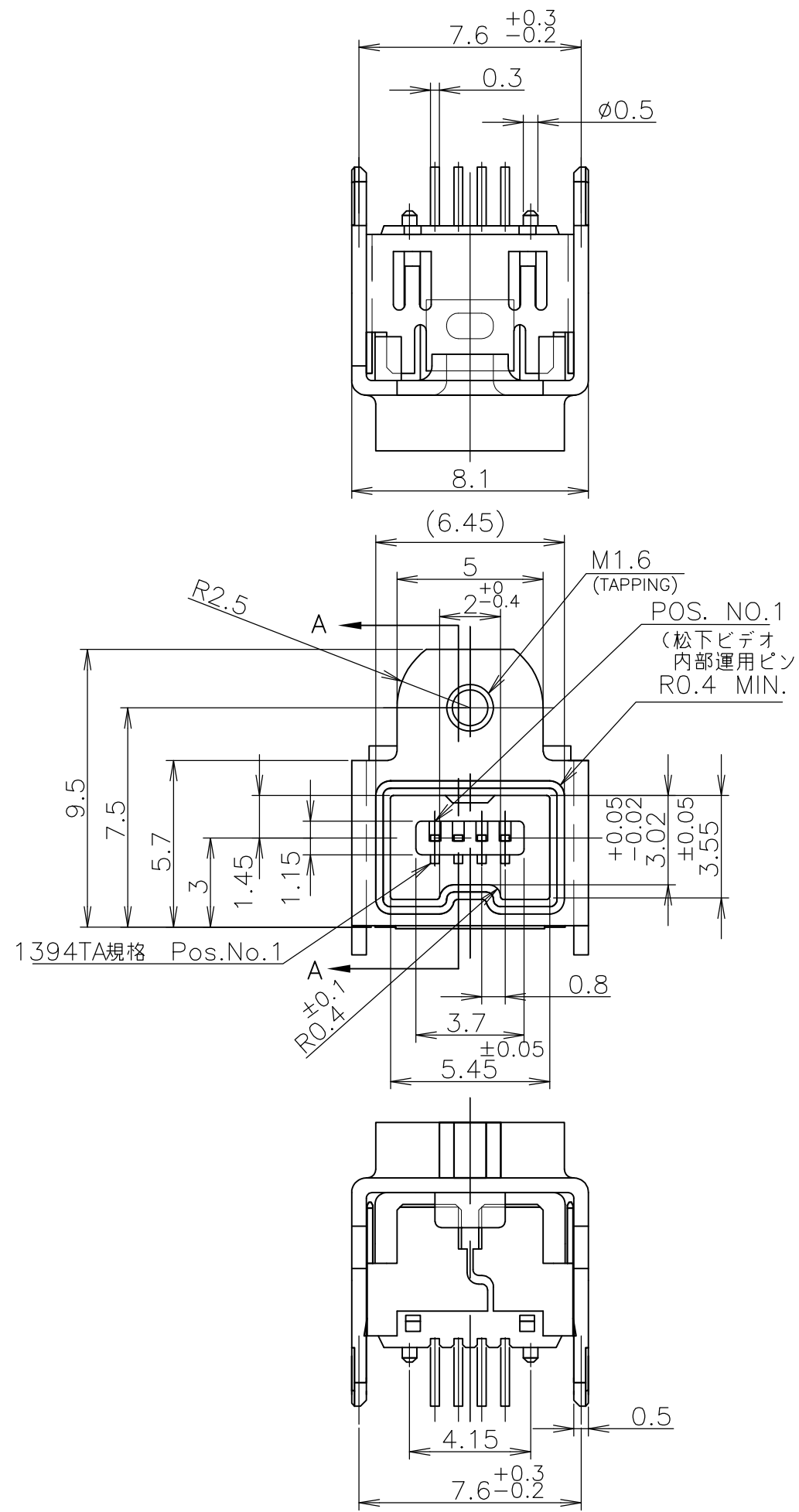
THIS DRAWING IS UNPUBLISHED. RELEASED FOR PUBLICATION JUL, 1996. ALL RIGHTS RESERVED.

LOC	DIST	REVISIONS					
J	/	P	LTR	DESCRIPTION	DATE	DWN	APVD
		C	REVISED	ECR-13-019471	15JAN2014	B.L	J.L

1: 本図  
AS SHOWN

**OBSOLETE**

鉛フリー  
LEAD FREE



推奨基板レイアウト  
(SCALE 2:1) (0.8±0.1THK)

- 1. M1.6 ビス締め部推奨トルク; 19.6N・cm(2kgf・cm)
- 1. M1.6 TAP; 19.6N・cm(2kgf・cm) MAX.

NO.	NAME	MATERIAL	FINISH
4	BACK SHELL	りん青銅 PHOS-BRO	PRE-TIN: 0.001mm
3	FRONT SHELL	黄銅 BRASS	TIN: 0.002mm
2	CONTACT	銅合金 COPPER ALLOY	Ni UNDER PLATING: 0.00127mm MIN. CONTACT AREA: Au 0.0003mm MIN. SOLDERING AREA: TIN 0.002mm
1	HOUSING	6T ナイロン (UL94V-0)	BLACK

THIS DRAWING IS A CONTROLLED DOCUMENT.

DIMENSIONS: 単位: 耗 mm	TOLERANCES UNLESS OTHERWISE SPECIFIED: 一般公差
	0 PLC ± 0.3
	1 PLC ± 0.3
	2 PLC ± 0.3
	3 PLC ± 0.3
	4 PLC ± 0.3
	ANGLES ± 3'
MATERIAL 材料	FINISH 仕上
SEE TABLE	SEE TABLE

DWN J.TSUJI 27AUG99	<b>STE</b> TE Connectivity				
CHK J.TANIGAWA 27AUG99					
APVD I.ENOMOTO 30AUG99	NAME 名称				
PRODUCT SPEC 製品規格 108-5672	REC HEADER 4POS V-TYPE IEEE 1394 AV CONNECTOR				
APPLICATION SPEC 取付適用規格	SIZE A3	CAGE CODE 00779	DRAWING NO 番号 G-1318714	RESTRICTED TO	
WEIGHT	CUSTOMER DRAWING		SCALE 尺度 5:1	SHEET 1 OF 1	REV C