



Chipsmall Limited consists of a professional team with an average of over 10 year of expertise in the distribution of electronic components. Based in Hongkong, we have already established firm and mutual-benefit business relationships with customers from,Europe,America and south Asia,supplying obsolete and hard-to-find components to meet their specific needs.

With the principle of "Quality Parts,Customers Priority,Honest Operation,and Considerate Service",our business mainly focus on the distribution of electronic components. Line cards we deal with include Microchip,ALPS,ROHM,Xilinx,Pulse,ON,Everlight and Freescale. Main products comprise IC,Modules,Potentiometer,IC Socket,Relay,Connector.Our parts cover such applications as commercial,industrial, and automotives areas.

We are looking forward to setting up business relationship with you and hope to provide you with the best service and solution. Let us make a better world for our industry!



Contact us

Tel: +86-755-8981 8866 Fax: +86-755-8427 6832

Email & Skype: info@chipsmall.com Web: www.chipsmall.com

Address: A1208, Overseas Decoration Building, #122 Zhenhua RD., Futian, Shenzhen, China

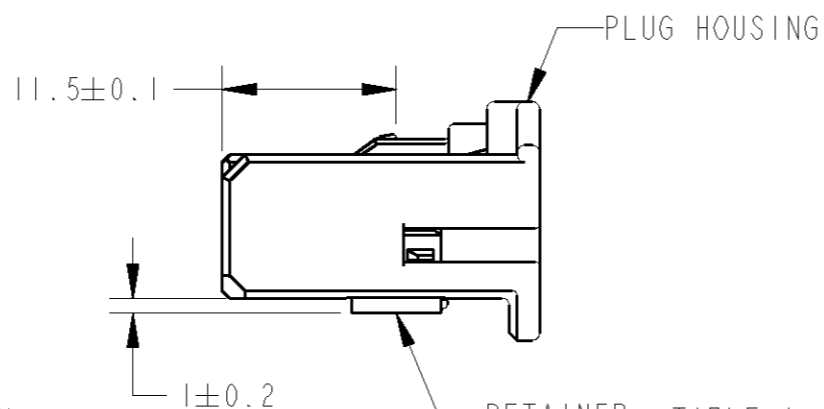
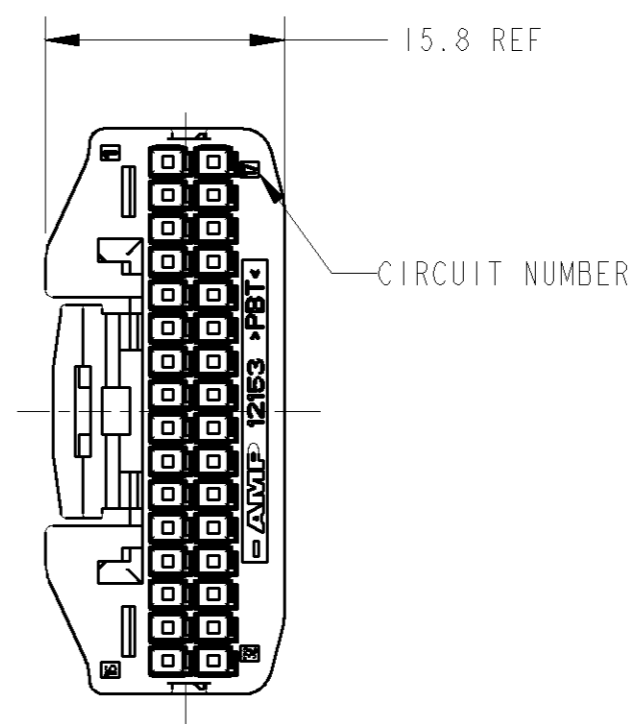
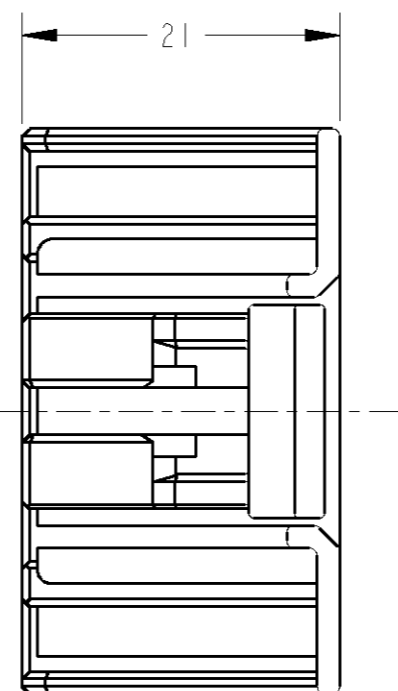
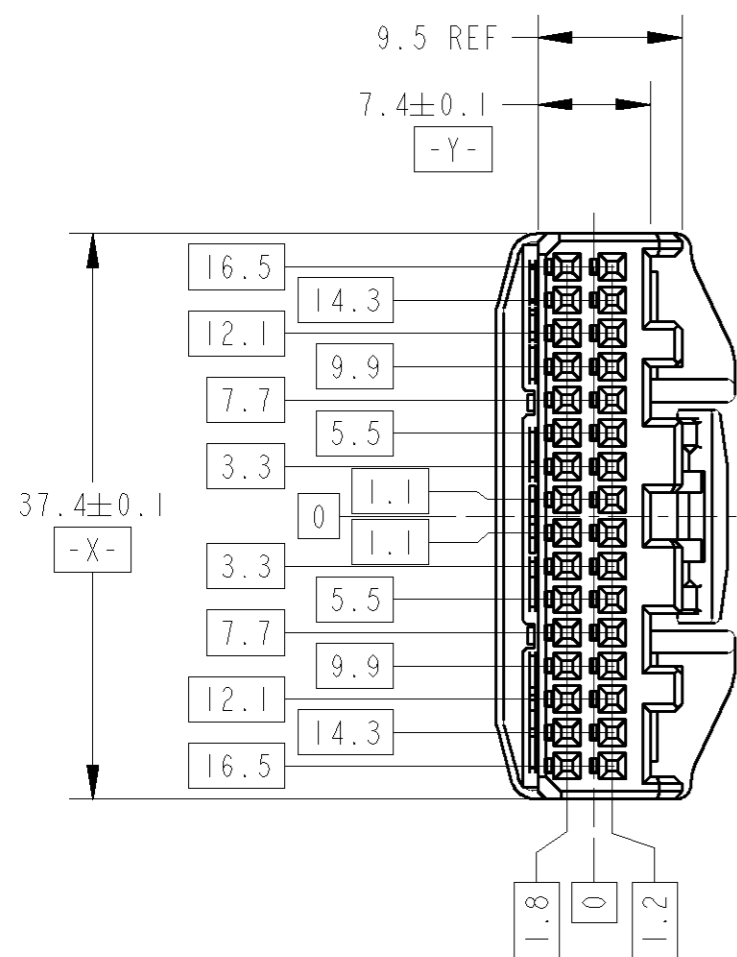


LOC
J

DIST

REVISIONS

P	LTR	DESCRIPTION	DATE	DWN	APVD
	A2	REVISED PER ECO-11-005140	09APR2011	RK	HMR
	A3	REVISED ECR-12-019260	08NOV2012	TS	KB



1. RETAINER SHOULD BE SET TO THE PRE- ASSEMBLY POSITION WITHIN THE PLUG HOUSING WHEN SHIPPED TO THE CUSTOMER
2. THE RETENTION LATCH OF THE RETAINER MUST BE OUT SIDE OF PLUG HOUSING WHEN PRE-ASSEMBLY
3. RETAINER RETENTION FORCE FROM HOUSING : 20N MIN
4. INSTRUCTION SHEET NO : 411-5928
5. PART NUMBER OF CAP HOUSING TO BE MATED : SEE TABLE -1
6. APPLIED TERMINAL : SEE TABLE -2

1. プラグハウジングにリテーナーを仮止して出荷する
2. 仮止時リテーナー突起がハウジングの外側に出ていること
3. リテーナーの仮止保持力は 20N 以上
4. 取扱説明書 NO : 411-5928
5. 嵌合相手型番は TABLE -1参照
6. 適応端子は TABLE -2参照

TABLE-2

		TERMINAL NO 端子型番	APPLICABLE WIRE RANGE 適用電線
SIGNAL 025	TIN	1123343-1	AVSS/CAVUS/AVSSH-f 0.3~0.5mm ² CAVS 0.22~0.5mm ²

TABLE-1

POS 極数	CAP ASSEMBLY PART NO キャップ 型番
32	1318745-1

PAPER BOX ダンボール	PLASTIC BAG ビニール袋	COLOR	PART NUMBER
PAPER BOX ダンボール	PLASTIC BAG ビニール袋	NATURAL	1318747-1
OUTER 外装	INNER 内装	COLOR	PART NUMBER
PACKING STYLE 梱包形態			

THIS DRAWING IS A CONTROLLED DOCUMENT.		DWN N. YASUDA 09MAR00	TE Connectivity	
DIMENSIONS: 単位: 概 mm		CHK N. SAI 10MAR00		
TOLERANCES UNLESS OTHERWISE SPECIFIED: 一般公差 = ± 0.3		APVD N. SAI 10MAR00	NAME 名称 025 SERIES 32 POSITION PLUG HOUSING ASSEMBLY	
		PRODUCT SPEC 製品規格 108-5668	DRAWING NO 番号 C=1318747	
MATERIAL 材料 PBT		APPLICATION SPEC 取付適用規格 114-5250	SIZE A3	RESTRICTED TO
FINISH 仕上 SEE TABLE		WEIGHT 4.71 g	CAGE CODE 00779	SCALE 尺度 2:1
		CUSTOMER DRAWING	SHEET 1	OF 1
			REV A3	