



Chipsmall Limited consists of a professional team with an average of over 10 year of expertise in the distribution of electronic components. Based in Hongkong, we have already established firm and mutual-benefit business relationships with customers from,Europe,America and south Asia,supplying obsolete and hard-to-find components to meet their specific needs.

With the principle of "Quality Parts,Customers Priority,Honest Operation,and Considerate Service",our business mainly focus on the distribution of electronic components. Line cards we deal with include Microchip,ALPS,ROHM,Xilinx,Pulse,ON,Everlight and Freescale. Main products comprise IC,Modules,Potentiometer,IC Socket,Relay,Connector.Our parts cover such applications as commercial,industrial, and automotives areas.

We are looking forward to setting up business relationship with you and hope to provide you with the best service and solution. Let us make a better world for our industry!



Contact us

Tel: +86-755-8981 8866 Fax: +86-755-8427 6832

Email & Skype: info@chipsmall.com Web: www.chipsmall.com

Address: A1208, Overseas Decoration Building, #122 Zhenhua RD., Futian, Shenzhen, China





CLIPLITE Midget Flange Relampable Indicator Lights



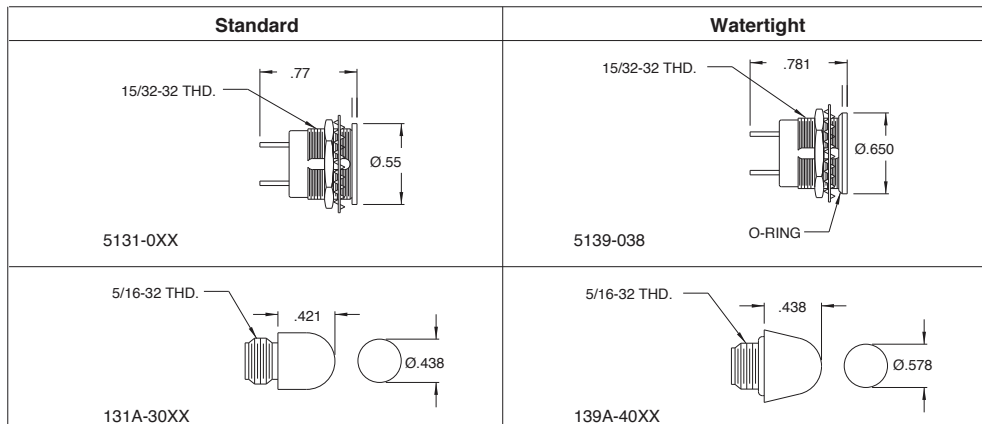
Midget Flange Indicator Lights are versatile, industry standard, front panel indicator lights capable of accepting any T-1 3/4 midget flange base lamp. These high quality indicators provide reliable service in a vast array of commercial and military applications (conforming to MIL-L-3661). Lamps are easily replaced from the front panel. These indicator lights are available in both a standard configuration and a watertight configuration providing reliable status indication in the most demanding of environments. The lamp is not included with this indicator light; please order the required lamp separately.

Lens Specifications

Standard	Watertight	Description
131A-303R	139A-403R	Transparent Red
131A-303A	139A-403A	Transparent Amber
131A-303G	-	Translucent Dark Green
131A-303C	139A-403C	Transparent Clear
131A-304R	139A-404R	Translucent Red
131A-304Y	139A-404Y	Translucent Yellow
131A-304G	139A-404G	Translucent Light Green
131A-304W	139A-404W	Translucent White

Panel Mount Indicator Specifications

Mounting Hole:	.484", 5131 Type has a keyed flange anti-rotation feature, 5139 Type features a flat "D" hole mounting
Mounting Centers:	.750"
Maximum Panel Thickness:	5131 type: .265", 5139 type: .188"
Housing/Material:	Black anodized aluminum (suffix -038). Clear anodized aluminum (suffix -032)
Lugs:	Brass, center contact terminal marked +
Hex Nut:	Cadmium plated steel
Lockwasher:	Cadmium plated steel
Lens:	Lexan
Lens Shank:	Nickel plated brass
Electrical rating:	30 Volts, up to 1.26 Watt, 0.5A max. current.



All dimension in inches.