



Chipsmall Limited consists of a professional team with an average of over 10 year of expertise in the distribution of electronic components. Based in Hongkong, we have already established firm and mutual-benefit business relationships with customers from,Europe,America and south Asia,supplying obsolete and hard-to-find components to meet their specific needs.

With the principle of “Quality Parts,Customers Priority,Honest Operation,and Considerate Service”,our business mainly focus on the distribution of electronic components. Line cards we deal with include Microchip,ALPS,ROHM,Xilinx,Pulse,ON,Everlight and Freescale. Main products comprise IC,Modules,Potentiometer,IC Socket,Relay,Connector.Our parts cover such applications as commercial,industrial, and automotives areas.

We are looking forward to setting up business relationship with you and hope to provide you with the best service and solution. Let us make a better world for our industry!



Contact us

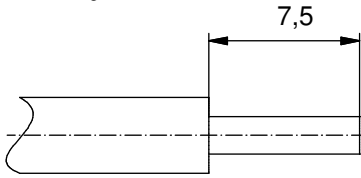
Tel: +86-755-8981 8866 Fax: +86-755-8427 6832

Email & Skype: info@chipsmall.com Web: www.chipsmall.com

Address: A1208, Overseas Decoration Building, #122 Zhenhua RD., Futian, Shenzhen, China



Stripping Dimensions/
Kabelvorbereitung:



Materials/

Werkstoffe:

Cu alloy, Au over Ni

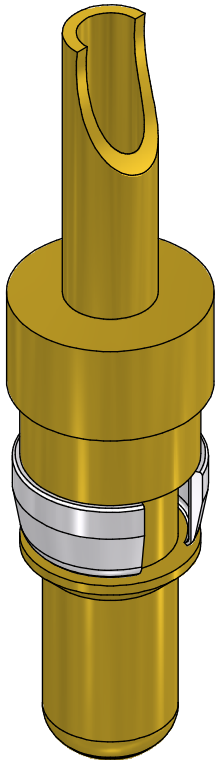
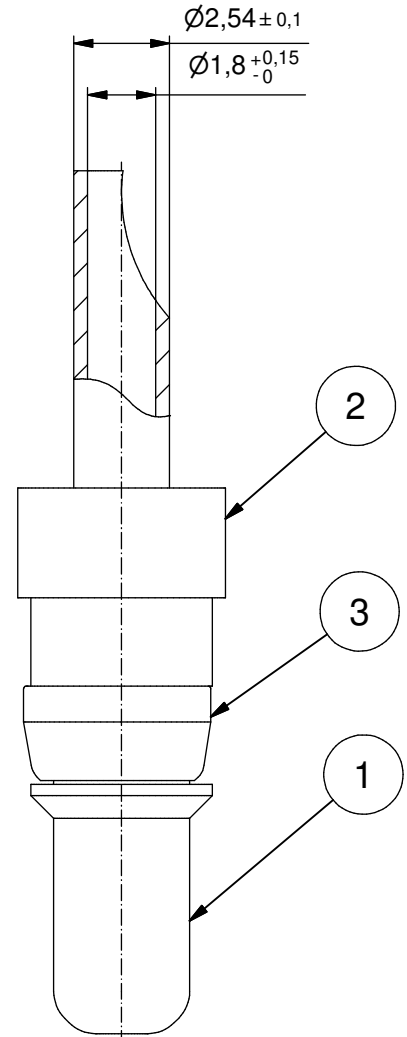
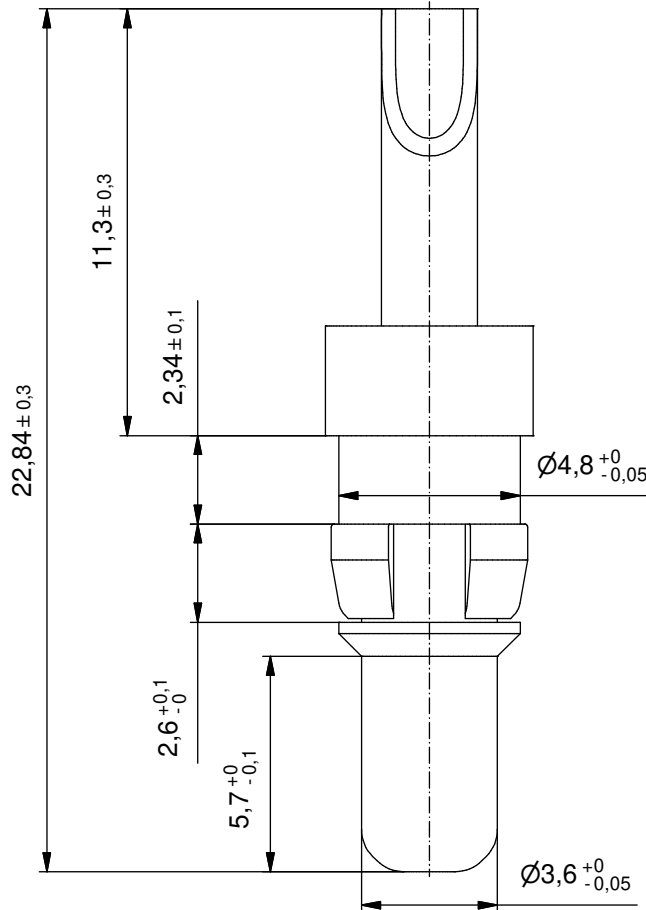
Contact/

Kontakt:

Retaining ring/

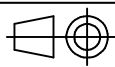
Cu alloy, Ni

Haltering:



b

| Part no. / Art.-Nr.: | Plating Pos. 1/ Veredelung Pos. 1: | Plating Pos. 2/ Veredelung Pos. 2: | Plating Pos. 3/ Veredelung Pos. 3: |
|-------------------------|---|---------------------------------------|---------------------------------------|
| 131A10019X | Gold Flash over Nickel Gold über Nickel | Gold over Nickel Gold über Nickel | Nickel plated/ vernickelt |
| 131C10019X | min. 30 µm hard Gold over min. 50 µm Nickel min. 30 µm Gold über min. 50 µm Nickel | Gold over Nickel Gold über Nickel | Nickel plated/ vernickelt |
| 131J10019X | min. 50 µm hard Gold over min. 50 µm Nickel min. 50 µm Gold über min. 50 µm Nickel | Gold over Nickel Gold über Nickel | Nickel plated/ vernickelt |



dim. in mm

High power contact male
Solder cup 10 A for AWG 16-20

Hochstromkontakt Stift
Lötkehlch 10 A für AWG 16-20

general tolerance/
Allgemeintoleranz:

ISO 2768-m

| | Date/Datum | Name |
|-----------------|------------|--------------|
| drawn/ gez. | 04.06.2002 | Schmidt |
| appd./ gepr. | 04.06.2002 | Mickenbecker |

Index: b Ä6392 25.10.16 L.U.

scale/Maßstab:

5:1

Status: InBearbeitung

RoHS & REACH compliant/konform

CONEC®

dwg no /
Z.-nr.:

13K1A593

DIN-
A4

1 / 1