



Chipsmall Limited consists of a professional team with an average of over 10 year of expertise in the distribution of electronic components. Based in Hongkong, we have already established firm and mutual-benefit business relationships with customers from,Europe,America and south Asia,supplying obsolete and hard-to-find components to meet their specific needs.

With the principle of “Quality Parts,Customers Priority,Honest Operation,and Considerate Service”,our business mainly focus on the distribution of electronic components. Line cards we deal with include Microchip,ALPS,ROHM,Xilinx,Pulse,ON,Everlight and Freescale. Main products comprise IC,Modules,Potentiometer,IC Socket,Relay,Connector.Our parts cover such applications as commercial,industrial, and automotives areas.

We are looking forward to setting up business relationship with you and hope to provide you with the best service and solution. Let us make a better world for our industry!



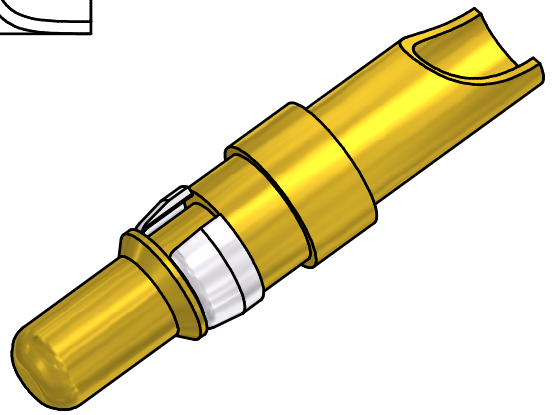
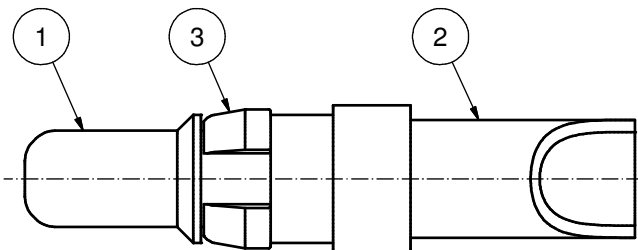
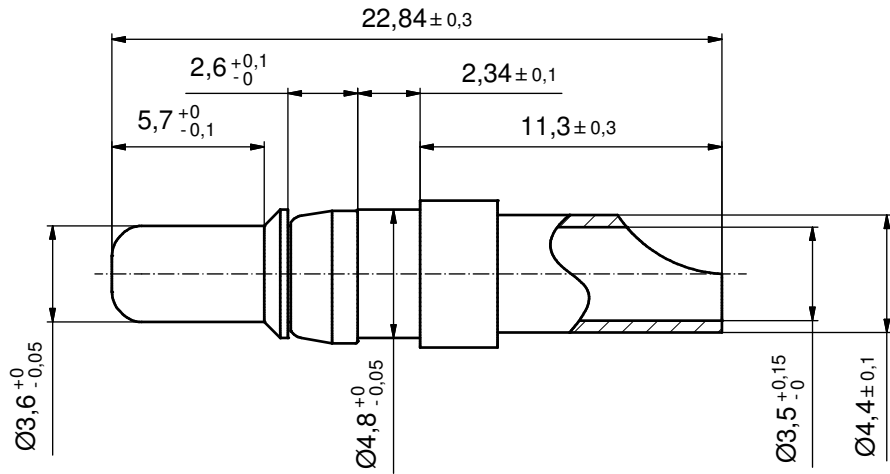
Contact us

Tel: +86-755-8981 8866 Fax: +86-755-8427 6832

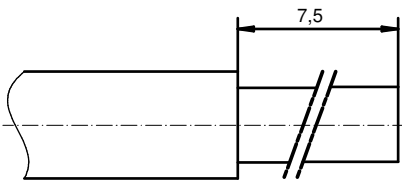
Email & Skype: info@chipsmall.com Web: www.chipsmall.com

Address: A1208, Overseas Decoration Building, #122 Zhenhua RD., Futian, Shenzhen, China





(b) STRIPPING DIMENSION



plating	part no.
GOLD FLASH over NICKEL	131A10039X
30µin HARD GOLD over min. 50µin NICKEL	131C10039X
50µin HARD GOLD over min. 50µin NICKEL	131J10039X

pos	qty	description	material	plating
3	1	RETAINING RING	COPPER ALLOY	NICKEL PLATED
2	1	REAR SIDE	COPPER ALLOY	GOLD FLASH over NICKEL
1	1	MATING SIDE	COPPER ALLOY	SEE TABLE

partlist				tolerance	dim. in mm	scale:	5:1
DO NOT ALTER CAD DRAWING BY HAND				date	name	material:	see notes
THIS DRAWING MAY NOT BE COPIED OR REPRODUCED IN ANY WAY, AND MAY NOT BE PASSED ON TO A THIRD PARTY WITHOUT WRITTEN PERMISSION. OWNERSHIP AND COPYRIGHT OF CONEC GmbH				drawn	23.03.98	Barcinski	title: HIGH POWER CONTACT MALE SOLDER CUP 30A D-SUB COMBINATION
DRAWN BY HAND				appd.	23.03.98	Mickenbecker	
DO NOT ALTER CAD DRAWING BY HAND				norm			
4 x b	A4657	20.02.2013	K.H.	d-old		dwg no:	
a	Original						
rev. description date name				CONEC		part no:	(b) see table
						DIN-A3	sh: 1

Directive 2011/65/EU RoHS compliant