



Chipsmall Limited consists of a professional team with an average of over 10 year of expertise in the distribution of electronic components. Based in Hongkong, we have already established firm and mutual-benefit business relationships with customers from,Europe,America and south Asia,supplying obsolete and hard-to-find components to meet their specific needs.

With the principle of “Quality Parts,Customers Priority,Honest Operation,and Considerate Service”,our business mainly focus on the distribution of electronic components. Line cards we deal with include Microchip,ALPS,ROHM,Xilinx,Pulse,ON,Everlight and Freescale. Main products comprise IC,Modules,Potentiometer,IC Socket,Relay,Connector.Our parts cover such applications as commercial,industrial, and automotives areas.

We are looking forward to setting up business relationship with you and hope to provide you with the best service and solution. Let us make a better world for our industry!



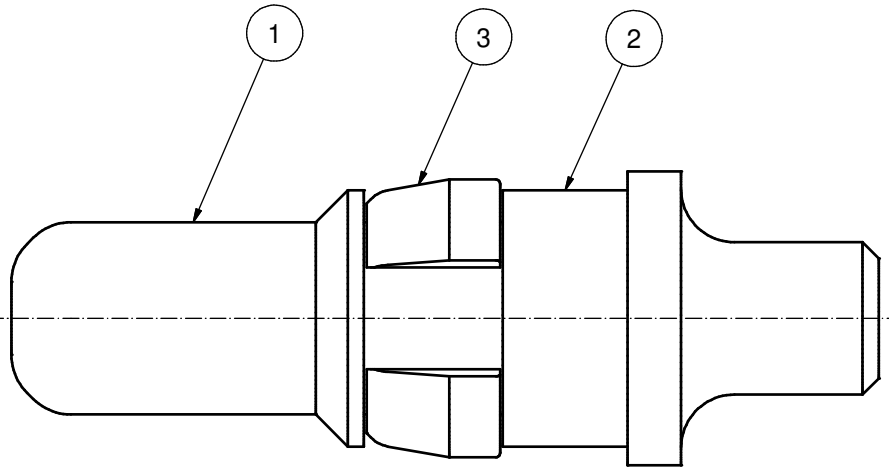
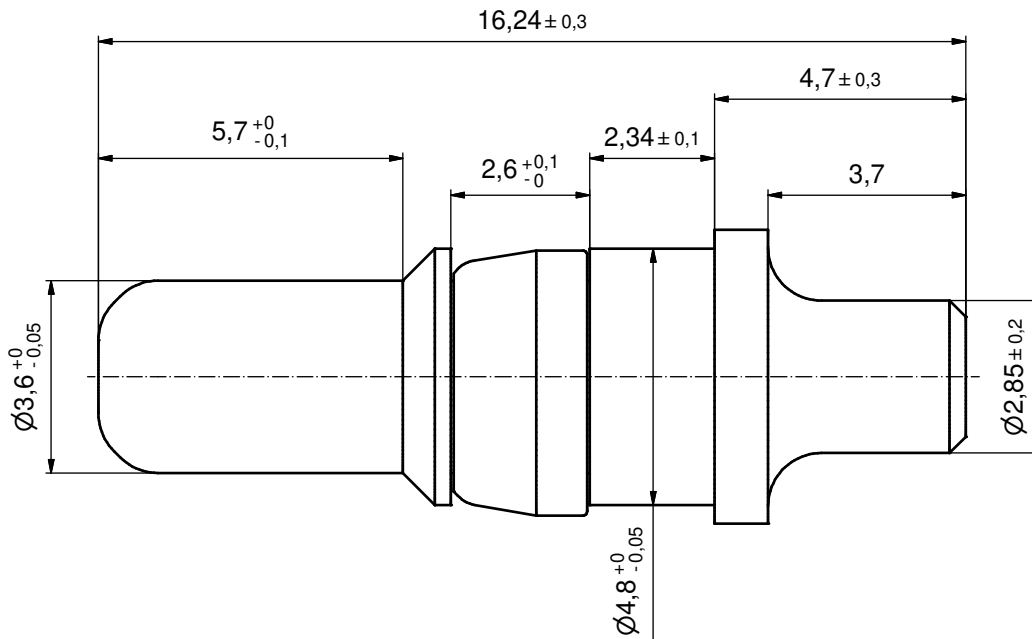
Contact us

Tel: +86-755-8981 8866 Fax: +86-755-8427 6832

Email & Skype: info@chipsmall.com Web: www.chipsmall.com

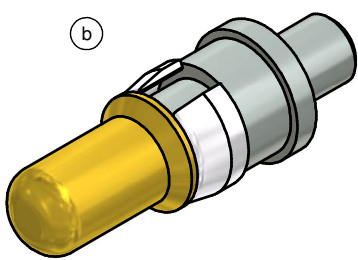
Address: A1208, Overseas Decoration Building, #122 Zhenhua RD., Futian, Shenzhen, China





plating item 1	part no.
GOLD FLASH over NICKEL	131A12039X
30µm HARD GOLD over min. 50µm NICKEL	131C12039X

3	1	RETAINING RING	COPPER ALLOY	NICKEL PLATED
2	1	REAR SIDE	COPPER ALLOY	TIN PLATED
1	1	MATING SIDE	COPPER ALLOY	SEE TABLE
pos	qty	description	material	plating



RoHS compliant

THIS DRAWING MAY NOT BE COPIED OR REPRODUCED IN ANY WAY, AND MAY NOT BE PASSED ON TO A THIRD PARTY WITHOUT WRITTEN PERMISSION. OWNERSHIP AND COPYRIGHT OF CONEC GmbH DO NOT ALTER CAD DRAWING BY HAND	tolerance		dim. in mm	scale: 10:1		
	date			material: SEE PARTLIST		
	name		title:		HIGH POWER CONTACT MALE SOLDER PIN STRAIGHT / Ø2,85 / 20A D-SUB COMBINATION	
	drawn	23.03.1998	Barcinski			
	appd.	23.03.1998	Mickenbecker			
norm		d-old		dwg no:		
3 x b	Ä 6216	29.06.2016	Unkrüer	13K11D7A		
rev.	description	date	name	part no: SEE TABLE		
				DIN-A3		
				sh: 1		