



Chipsmall Limited consists of a professional team with an average of over 10 year of expertise in the distribution of electronic components. Based in Hongkong, we have already established firm and mutual-benefit business relationships with customers from,Europe,America and south Asia,supplying obsolete and hard-to-find components to meet their specific needs.

With the principle of “Quality Parts,Customers Priority,Honest Operation,and Considerate Service”,our business mainly focus on the distribution of electronic components. Line cards we deal with include Microchip,ALPS,ROHM,Xilinx,Pulse,ON,Everlight and Freescale. Main products comprise IC,Modules,Potentiometer,IC Socket,Relay,Connector.Our parts cover such applications as commercial,industrial, and automotives areas.

We are looking forward to setting up business relationship with you and hope to provide you with the best service and solution. Let us make a better world for our industry!



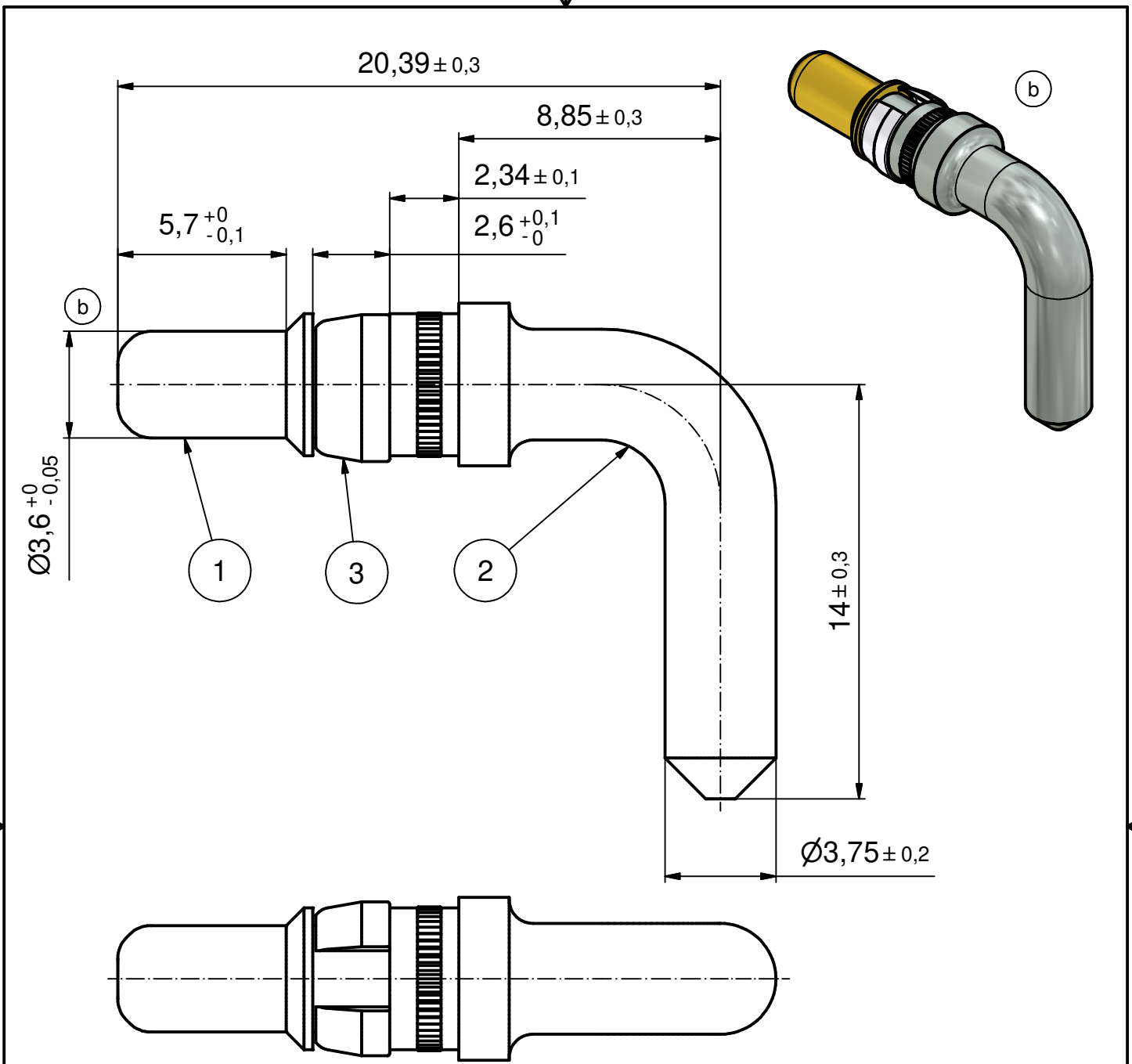
Contact us

Tel: +86-755-8981 8866 Fax: +86-755-8427 6832

Email & Skype: info@chipsmall.com Web: www.chipsmall.com

Address: A1208, Overseas Decoration Building, #122 Zhenhua RD., Futian, Shenzhen, China





NOTES:

- 1. MATERIAL:
ITEM 1+2+3: COPPER ALLOY
ITEM 3: NICKEL PLATED
- 2. PLATING:
ITEM 1: SEE TABLE
ITEM 2: TIN PLATED

(b)

PLATING ITEM 1	PART-NO.
GOLD FLASH over NICKEL	131A13049X
30µin HARD GOLD over min. 50µin NICKEL	131C13049X

RoHS compliant

THIS DRAWING MAY NOT BE COPIED OR REPRODUCED IN ANY WAY, AND MAY NOT BE PASSED ON TO A THIRD PARTY WITHOUT WRITTEN PERMISSION. OWNERSHIP AND COPYRIGHT OF CONEC GmbH

DO NOT ALTER CAD DRAWING BY HAND

				tolerance		scale:	5:1
					dim. in mm	material:	SEE NOTES
				date	name	title: HIGH POWER CONTACT MALE SOLDER PIN 90°, Ø 3,75 , 40A D-SUB COMBINATION	
				drawn 05.01.2015	Heinrich		
				appd. 05.01.2015	Lehmenkühler		
				norm			
				d-old		dwg no:	DIN-A4
3 x b	Ä5471	05.01.2015	Heinrich	CONEC ®		13K1A4858	sh: 1
a	Original					part no:	SEE TABLE
rev.	description	date	name				

