



Chipsmall Limited consists of a professional team with an average of over 10 year of expertise in the distribution of electronic components. Based in Hongkong, we have already established firm and mutual-benefit business relationships with customers from,Europe,America and south Asia,supplying obsolete and hard-to-find components to meet their specific needs.

With the principle of “Quality Parts,Customers Priority,Honest Operation,and Considerate Service”,our business mainly focus on the distribution of electronic components. Line cards we deal with include Microchip,ALPS,ROHM,Xilinx,Pulse,ON,Everlight and Freescale. Main products comprise IC,Modules,Potentiometer,IC Socket,Relay,Connector.Our parts cover such applications as commercial,industrial, and automotives areas.

We are looking forward to setting up business relationship with you and hope to provide you with the best service and solution. Let us make a better world for our industry!



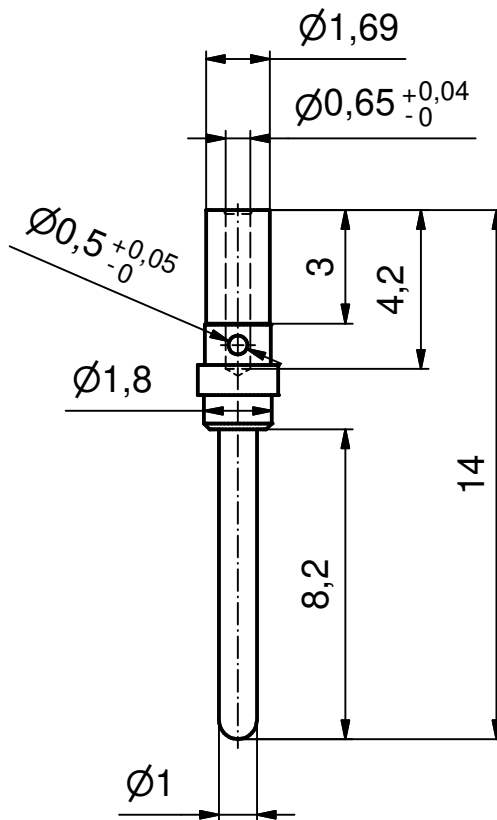
Contact us

Tel: +86-755-8981 8866 Fax: +86-755-8427 6832

Email & Skype: info@chipsmall.com Web: www.chipsmall.com

Address: A1208, Overseas Decoration Building, #122 Zhenhua RD., Futian, Shenzhen, China



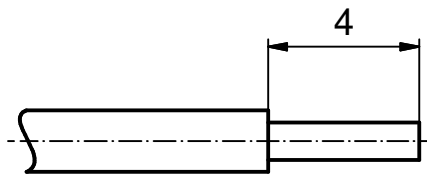


Directive 2002/95/EC
„RoHS“
Compliant

NOTES:

- 1. MATERIAL: COPPER ALLOY
- 2. PLATING: SEE TABLE
- 3. CRIMPING: USE CRIMP TOOL 360X10329X WITH TOOL INSERT 360X20039X
- ⓑ SELECTOR SETTINGS: 7 FOR AWG 24
6 FOR AWG 26
5 FOR AWG 28

STRIPPING DIMENSION



ⓑ	Plating	Part-No.
	min. 8µin HARD GOLD over min. 50µin NICKEL	131A15029X
	min. 30µin HARD GOLD over min. 50µin NICKEL	131C15029X
	min. 50µin HARD GOLD over min. 50µin NICKEL	131J15029X

THIS DRAWING MAY NOT BE COPIED OR REPRODUCED IN ANY WAY, AND MAY NOT BE PASSED ON TO A THIRD PARTY WITHOUT WRITTEN PERMISSION. OWNERSHIP AND COPYRIGHT OF CONEC GmbH

DO NOT ALTER CAD DRAWING BY HAND

3 x b	Ä 3706	03.08.10	Lehm.
a	Origin		
rev.	description	date	name

tolerance		dim. in mm
date	name	
drawn 29.04.08	Petker	
appd. 30.04.08	Mickenbecker	
norm		
d-old		



scale:	5.1	
material:	SEE NOTES	
title:	SIGNAL CRIMP CONTACT MALE CONTACT ⓑ Wire Size 24-28	
dwg no:	Inventor 10	DIN-A4
	16K1A2290	sh: 1
part no:	SEE TABLE	