



Chipsmall Limited consists of a professional team with an average of over 10 year of expertise in the distribution of electronic components. Based in Hongkong, we have already established firm and mutual-benefit business relationships with customers from,Europe,America and south Asia,supplying obsolete and hard-to-find components to meet their specific needs.

With the principle of “Quality Parts,Customers Priority,Honest Operation,and Considerate Service”,our business mainly focus on the distribution of electronic components. Line cards we deal with include Microchip,ALPS,ROHM,Xilinx,Pulse,ON,Everlight and Freescale. Main products comprise IC,Modules,Potentiometer,IC Socket,Relay,Connector.Our parts cover such applications as commercial,industrial, and automotives areas.

We are looking forward to setting up business relationship with you and hope to provide you with the best service and solution. Let us make a better world for our industry!



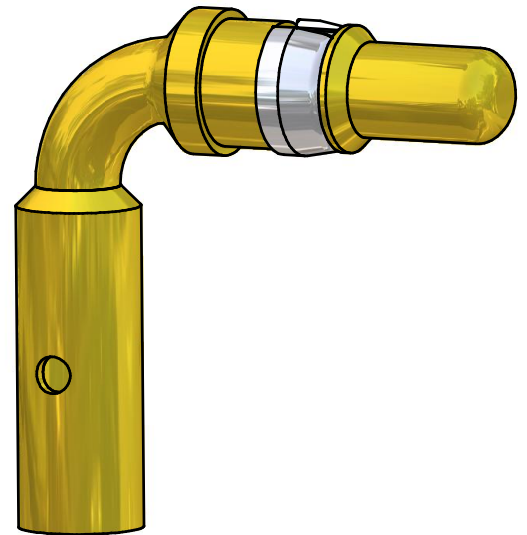
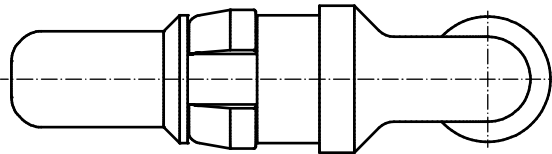
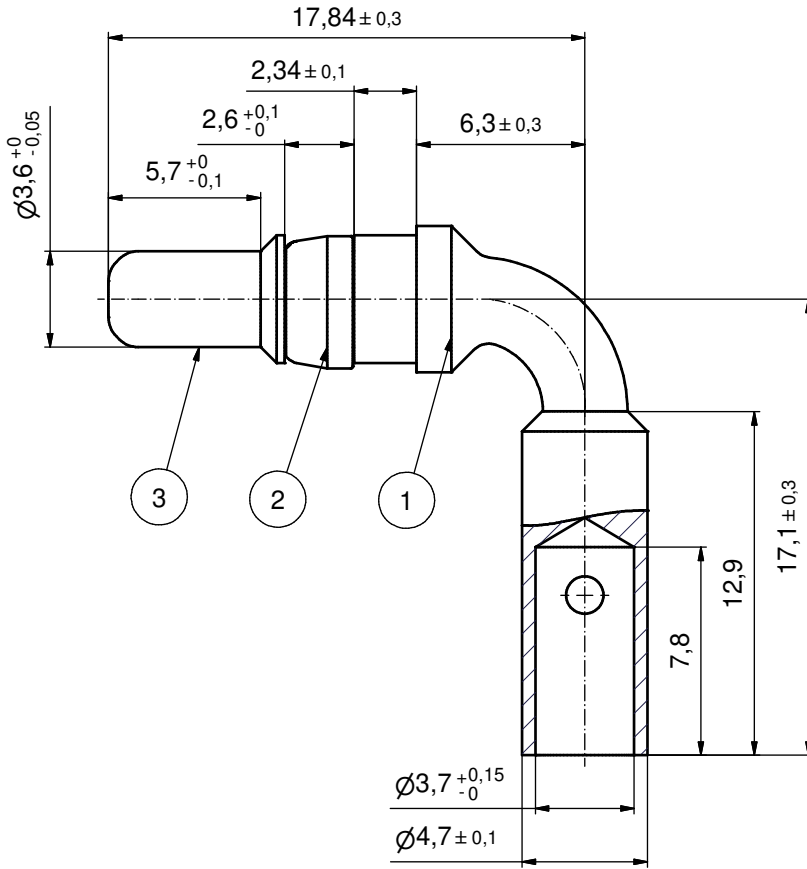
## Contact us

Tel: +86-755-8981 8866 Fax: +86-755-8427 6832

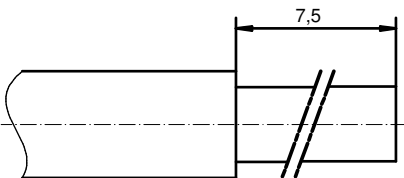
Email & Skype: info@chipsmall.com Web: www.chipsmall.com

Address: A1208, Overseas Decoration Building, #122 Zhenhua RD., Futian, Shenzhen, China





STRIPPING DIMENSION



Directive 2002/95/EC  
„RoHS“  
Compliant

3	1	MATING SIDE	COPPER ALLOY	min. 8µin HARD GOLD over min. 50µin NICKEL
2	1	RETAINING RING	COPPER ALLOY	NICKEL PLATED
1	1	REAR SIDE	COPPER ALLOY	min. 8µin HARD GOLD over min. 50µin NICKEL
POS	QTY	DESCRIPTION	MATERIAL	PLATING

PARTLIST

tolerance		dim. in mm		scale: 5:1	
material:		SEE TABLE			
title:		HIGH POWER CONTACT MALE CRIMP / SOLDER VERSION 90° - 30A D-SUB COMBINATION			
dwg no:		Inventor		DIN-A3	
13K2A657				sh: 1	
part no:		131A16039X			
rev.	description	date	name	CONEC	

APPROVAL # FREIGABE # DEBLOCAGE # AUTORIZACION # APPROVAL

CUSTOMER APPROVAL DATE:

NAME: TITLE:

COMPANY NAME:

APPROVAL # FREIGABE # DEBLOCAGE # AUTORIZACION # APPROVAL

THIS DRAWING MAY NOT BE COPIED OR REPRODUCED IN ANY WAY AND MAY NOT BE PASSED ON TO A THIRD PARTY WITHOUT WRITTEN PERMISSION. OWNERSHIP AND COPYRIGHT OF CONEC GmbH DO NOT ALTER CAD DRAWING BY HAND