



Chipsmall Limited consists of a professional team with an average of over 10 year of expertise in the distribution of electronic components. Based in Hongkong, we have already established firm and mutual-benefit business relationships with customers from,Europe,America and south Asia,supplying obsolete and hard-to-find components to meet their specific needs.

With the principle of "Quality Parts,Customers Priority,Honest Operation,and Considerate Service",our business mainly focus on the distribution of electronic components. Line cards we deal with include Microchip,ALPS,ROHM,Xilinx,Pulse,ON,Everlight and Freescale. Main products comprise IC,Modules,Potentiometer,IC Socket,Relay,Connector.Our parts cover such applications as commercial,industrial, and automotives areas.

We are looking forward to setting up business relationship with you and hope to provide you with the best service and solution. Let us make a better world for our industry!



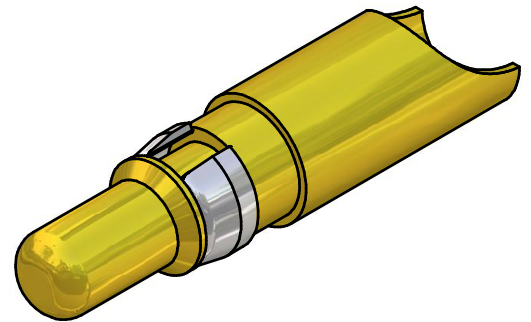
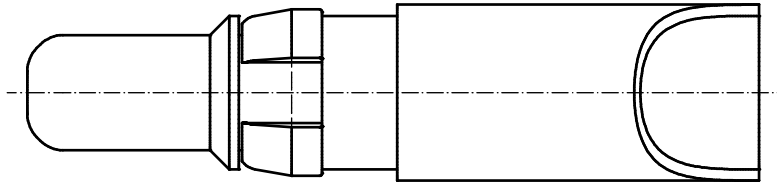
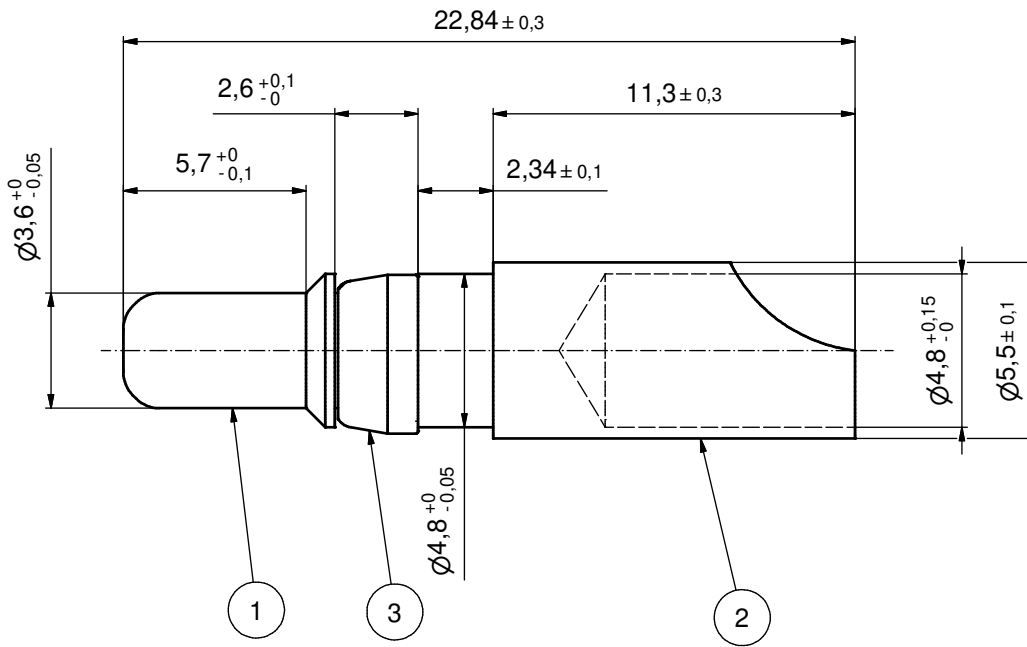
Contact us

Tel: +86-755-8981 8866 Fax: +86-755-8427 6832

Email & Skype: info@chipsmall.com Web: www.chipsmall.com

Address: A1208, Overseas Decoration Building, #122 Zhenhua RD., Futian, Shenzhen, China





ⓑ

PLATING ITEM 1	PART-NO.
30µm HARD GOLD over min. 50µm NICKEL	131C10049X
50µm HARD GOLD over min. 50µm NICKEL	131J10049X

NOTES:

1. MATERIAL: COPPER ALLOY
2. PLATING:
ITEM 1: SEE TABLE
ITEM 2: min. 8µm HARD GOLD over 50µm NICKEL
ITEM 3: NICKEL PLATED

Directive 2002/95/EC
„RoHS“
Compliant

APPROVAL # FREIGABE # DEBLOCAGE # AUTORIZACION # APPROVAL	
CUSTOMER APPROVAL DATE:	
NAME:	TITLE:
COMPANY NAME:	
APPROVAL # FREIGABE # DEBLOCAGE # AUTORIZACION # APPROVAL	

THIS DRAWING MAY NOT BE COPIED OR REPRODUCED IN ANY WAY, AND MAY NOT BE PASSED ON TO A THIRD PARTY WITHOUT WRITTEN PERMISSION. OWNERSHIP AND COPYRIGHT OF CONEC GmbH DO NOT ALTER CAD DRAWING BY HAND	tolerance		ISO 2768-m		dim. in mm	scale: 5:1		
	material:		SEE NOTES			title:		
	1 x b	A2885	10.12.2007	Sonne	1998	date	name	HIGH POWER CONTACT MALE SOLDER CUP 40A D-SUB COMBINATION
	a	Origin			drawn	23.03.	Barcinski	
rev.	description	date	name	appd.	23.03.	Mickenbecker		
dwg no:		Inventor 10		DIN-A3		sh: 1		
part no:		13K11D0A		SEE TABLE				

CONEC