



Chipsmall Limited consists of a professional team with an average of over 10 year of expertise in the distribution of electronic components. Based in Hongkong, we have already established firm and mutual-benefit business relationships with customers from,Europe,America and south Asia,supplying obsolete and hard-to-find components to meet their specific needs.

With the principle of “Quality Parts,Customers Priority,Honest Operation,and Considerate Service”,our business mainly focus on the distribution of electronic components. Line cards we deal with include Microchip,ALPS,ROHM,Xilinx,Pulse,ON,Everlight and Freescale. Main products comprise IC,Modules,Potentiometer,IC Socket,Relay,Connector.Our parts cover such applications as commercial,industrial, and automotives areas.

We are looking forward to setting up business relationship with you and hope to provide you with the best service and solution. Let us make a better world for our industry!



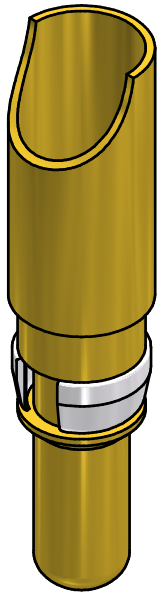
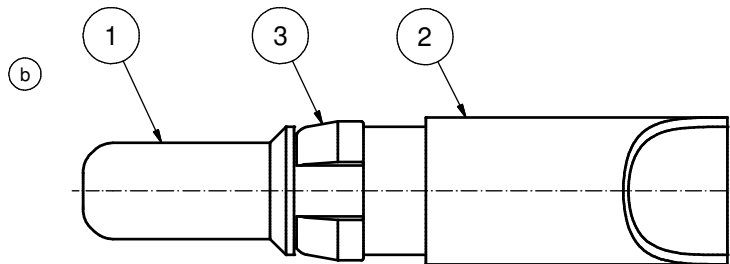
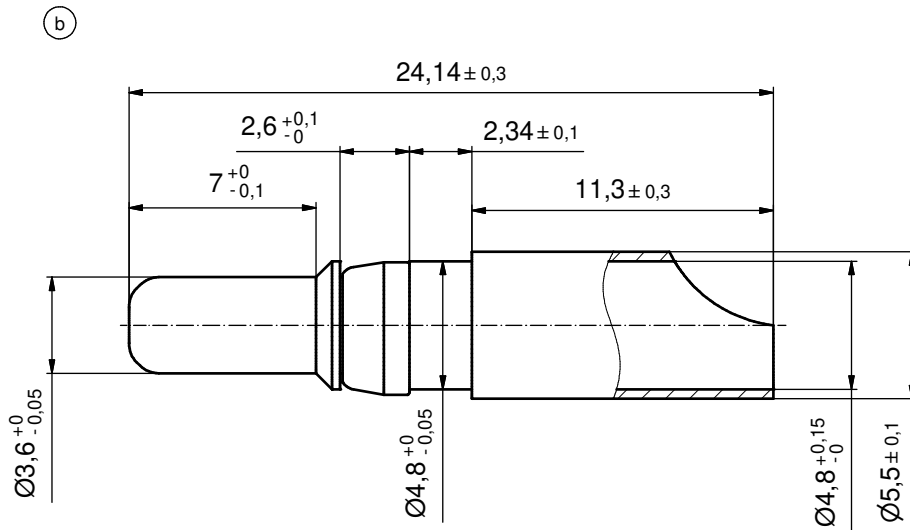
Contact us

Tel: +86-755-8981 8866 Fax: +86-755-8427 6832

Email & Skype: info@chipsmall.com Web: www.chipsmall.com

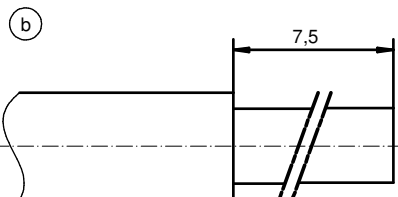
Address: A1208, Overseas Decoration Building, #122 Zhenhua RD., Futian, Shenzhen, China





plating	part no.
GOLD FLASH over NICKEL	131A10149X
30µin HARD GOLD over min. 50µin NICKEL	131C10149X

STRIPPING DIMENSION



RoHS compliant

pos	qty	description	material	plating
3	1	RETAINING RING	COPPER ALLOY	NICKEL PLATED
2	1	REAR SIDE	COPPER ALLOY	GOLD FLASH over NICKEL
1	1	FRONT SIDE	COPPER ALLOY	SEE TABLE

partlist				tolerance	dim. in mm	scale:	5:1
				date	name	material: SEE PARTLIST	
				drawn	04.04.02	Parei	
				appd.	04.04.02	Schrader	
				norm			
				title: HIGH POWER CONTACT MALE SOLDER CUP 40A FOR AWG 8-10; d=4,8mm D-SUB COMBINATION			
				dwg no:		DIN-A3	
				13K1A536		sh: 1	
				part no: (c) SEE TABLE			

THIS DRAWING MAY NOT BE COPIED OR REPRODUCED IN ANY WAY, AND MAY NOT BE PASSED ON TO A THIRD PARTY WITHOUT WRITTEN PERMISSION. OWNERSHIP AND COPYRIGHT OF CONEC GmbH DO NOT ALTER CAD DRAWING BY HAND

rev.	description	date	name	d-old
2 x c	Ä6071	04.04.2016	Lehm.	
4 x b	Ä4115	27.09.2011	K.H.	
a	Original			

