



Chipsmall Limited consists of a professional team with an average of over 10 year of expertise in the distribution of electronic components. Based in Hongkong, we have already established firm and mutual-benefit business relationships with customers from,Europe,America and south Asia,supplying obsolete and hard-to-find components to meet their specific needs.

With the principle of “Quality Parts,Customers Priority,Honest Operation,and Considerate Service”,our business mainly focus on the distribution of electronic components. Line cards we deal with include Microchip,ALPS,ROHM,Xilinx,Pulse,ON,Everlight and Freescale. Main products comprise IC,Modules,Potentiometer,IC Socket,Relay,Connector.Our parts cover such applications as commercial,industrial, and automotives areas.

We are looking forward to setting up business relationship with you and hope to provide you with the best service and solution. Let us make a better world for our industry!



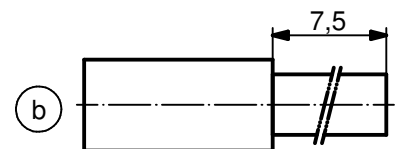
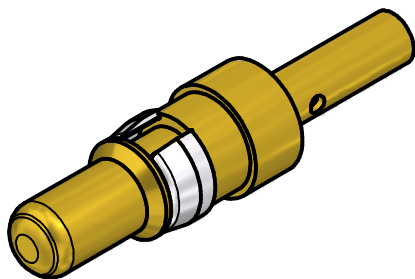
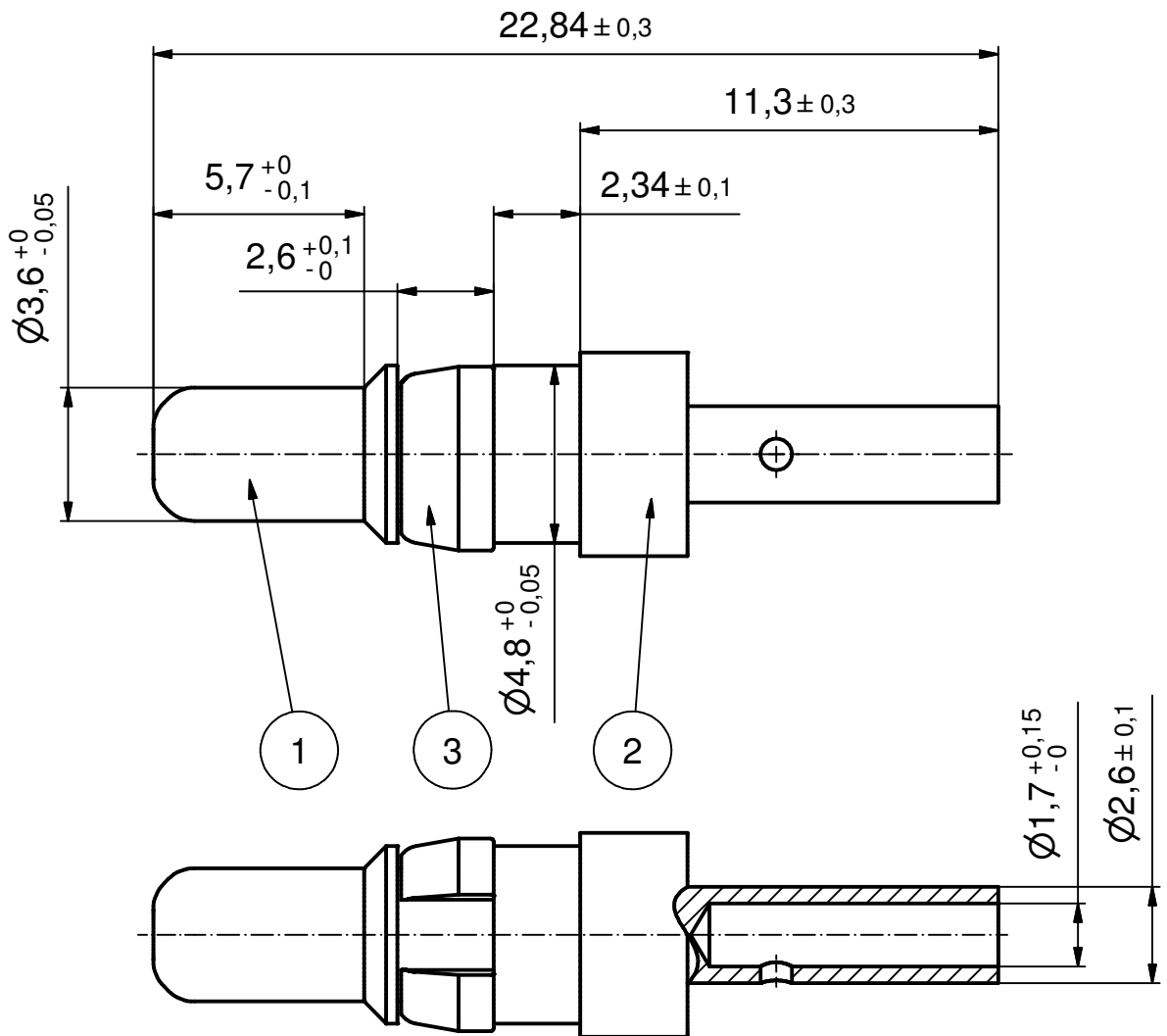
Contact us

Tel: +86-755-8981 8866 Fax: +86-755-8427 6832

Email & Skype: info@chipsmall.com Web: www.chipsmall.com

Address: A1208, Overseas Decoration Building, #122 Zhenhua RD., Futian, Shenzhen, China





STRIPPING DIMENSIONS

- (b) NOTES:**
1. MATERIAL: COPPER ALLOY
 2. PLATING:
ITEM 1: 30µin HARD GOLD over min. 50µin NICKEL
ITEM 2: GOLD FLASH over NICKEL
ITEM 3: NICKEL PLATED
 3. CRIMPING: USE CRIMP TOOL 360X10409X
WITH TOOL INSERT 360X20029X
SELECTOR SETTINGS: 3 FOR AWG 16
2 FOR AWG 18
2 FOR AWG 20

Directive 2002/95/EC RoHS compliant

(b)

THIS DRAWING MAY NOT BE COPIED OR REPRODUCED IN ANY WAY, AND MAY NOT BE PASSED ON TO A THIRD PARTY WITHOUT WRITTEN PERMISSION. OWNERSHIP AND COPYRIGHT OF CONEC GmbH

DO NOT ALTER CAD DRAWING BY HAND

finish: SEE NOTES				tolerance ISO 2768-m		dim. in mm			
				date	name	title: High Power Contact male Crimp version 10A Hochstromkontaktstift			
				drawn 23.03.98	Barcinski				
				appd. 23.03.98	Mickenbecker				
				norm					
				d-old		dwg no: Inventor 10			
3 x b	Ä3854	19.01.2011	K.H.			DIN-A4			
a	Origin					13K11D1A		sh: 1	
rev.	description	date	name			part no: 131C11019X			



scale: 5:1		material: SEE NOTES	
title: High Power Contact male Crimp version 10A Hochstromkontaktstift			
dwg no: Inventor 10		DIN-A4	
		sh: 1	
part no: 131C11019X			