



Chipsmall Limited consists of a professional team with an average of over 10 year of expertise in the distribution of electronic components. Based in Hongkong, we have already established firm and mutual-benefit business relationships with customers from,Europe,America and south Asia,supplying obsolete and hard-to-find components to meet their specific needs.

With the principle of "Quality Parts,Customers Priority,Honest Operation,and Considerate Service",our business mainly focus on the distribution of electronic components. Line cards we deal with include Microchip,ALPS,ROHM,Xilinx,Pulse,ON,Everlight and Freescale. Main products comprise IC,Modules,Potentiometer,IC Socket,Relay,Connector.Our parts cover such applications as commercial,industrial, and automotives areas.

We are looking forward to setting up business relationship with you and hope to provide you with the best service and solution. Let us make a better world for our industry!



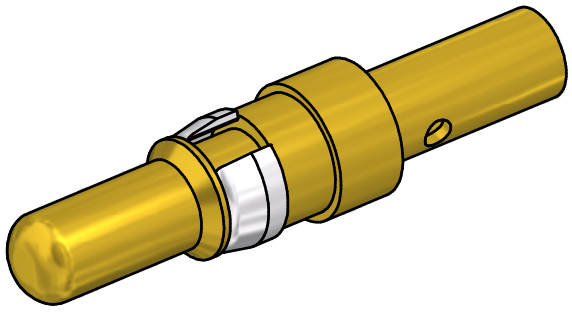
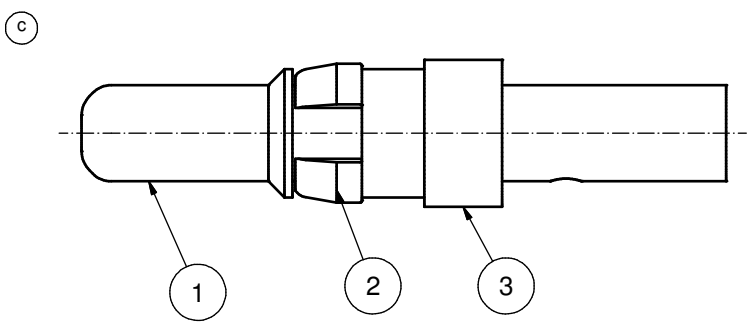
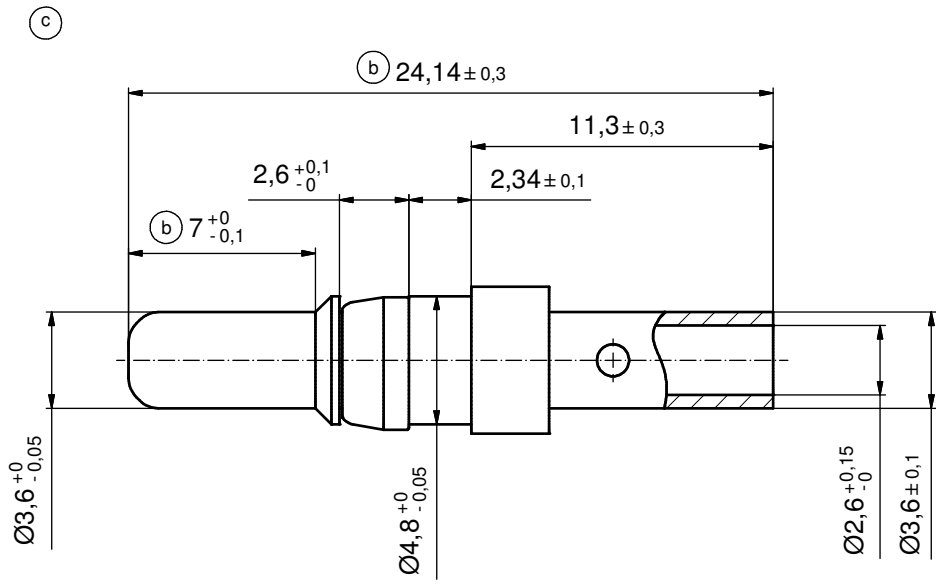
Contact us

Tel: +86-755-8981 8866 Fax: +86-755-8427 6832

Email & Skype: info@chipsmall.com Web: www.chipsmall.com

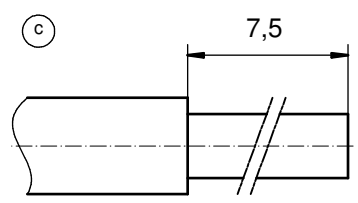
Address: A1208, Overseas Decoration Building, #122 Zhenhua RD., Futian, Shenzhen, China





NOTES:
 CRIMPING:
 USE CRIMP TOOL: 360X10409X
 WITH TOOL INSERT: 360X20029X
 SELECTOR SETTINGS: 5 FOR AWG 12
 4 FOR AWG 14

STRIPPING DIMENSIONS



Directive 2002/95/EC RoHS compliant

item	quantity	part description	material	plating
3	1	REAR SIDE	COPPER ALLOY	GOLD FLASH over NICKEL
2	1	RETAINING RING	COPPER ALLOY	NICKEL PLATED
1	1	MATING SIDE	COPPER ALLOY	min. 30µin HARD GOLD over min. 50µin NICKEL

partlist					tolerance	dim. in mm	scale:	
					ISO 2768-m		5:1	
					date	name	material:	
					drawn	Schmidt	see partlist	
					appd.	Koch	title:	
					norm		HIGH POWER CONTACT MALE	
					5 x c	Ä4115	27.09.201	CRIMP VERSION 20A / AWG 12-14 PREMATING
					2 x b	Ä3728	23.08.2010	D-SUB COMBINATION
					a	Original		
					rev.	description	date	name
								dwg no:
								Inventor 10
								sh: 1
								part no:
								131C11129X

THIS DRAWING MAY NOT BE COPIED OR REPRODUCED IN ANY WAY, AND MAY NOT BE PASSED ON TO A THIRD PARTY WITHOUT WRITTEN PERMISSION. OWNERSHIP AND COPYRIGHT OF CONEC GmbH DO NOT ALTER CAD DRAWING BY HAND