



Chipsmall Limited consists of a professional team with an average of over 10 year of expertise in the distribution of electronic components. Based in Hongkong, we have already established firm and mutual-benefit business relationships with customers from,Europe,America and south Asia,supplying obsolete and hard-to-find components to meet their specific needs.

With the principle of “Quality Parts,Customers Priority,Honest Operation,and Considerate Service”,our business mainly focus on the distribution of electronic components. Line cards we deal with include Microchip,ALPS,ROHM,Xilinx,Pulse,ON,Everlight and Freescale. Main products comprise IC,Modules,Potentiometer,IC Socket,Relay,Connector.Our parts cover such applications as commercial,industrial, and automotives areas.

We are looking forward to setting up business relationship with you and hope to provide you with the best service and solution. Let us make a better world for our industry!



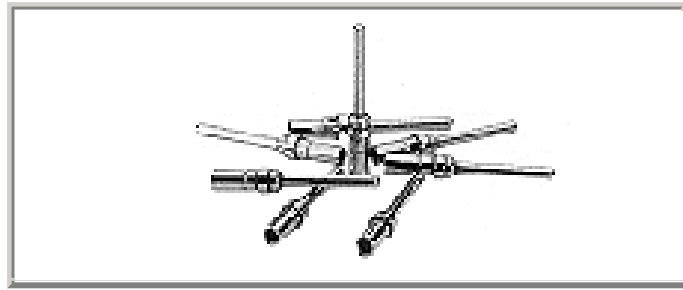
Contact us

Tel: +86-755-8981 8866 Fax: +86-755-8427 6832

Email & Skype: info@chipsmall.com Web: www.chipsmall.com

Address: A1208, Overseas Decoration Building, #122 Zhenhua RD., Futian, Shenzhen, China

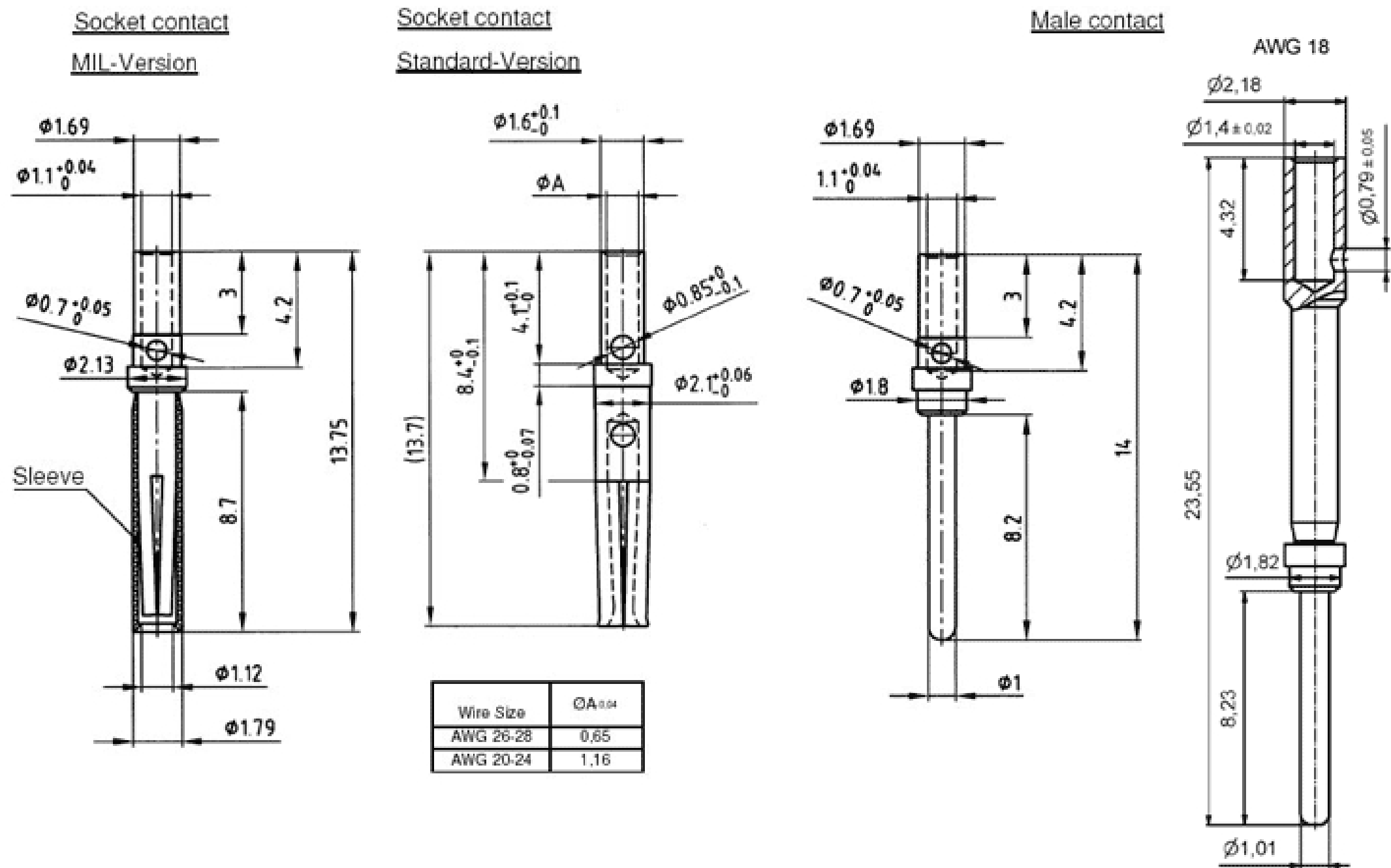




D-Sub Signal Crimp contacts
accepts cable AWG 18-28



(click on the schematic(s) for a more detailed view)



PDF drawings

Part number	PDF-format drawing
131J15039A	13K1A1912.pdf

Please contact Conec for any missing PDF drawings

Material Socket:Copper alloy

Note:

Crimp contacts are supplied in loose form. Male: brass

Material:

Kat 1 i 2NA

Kat 1 i 3NA

Contact - Types	Wire Size (AWG)	$\phi A_{\pm 0.04}$	Socket contact MIL Version	Socket contact Standard	Male contact
separate contacts screw machine - 100 pcs per bag	18	-	-	-	131 J 15039 A
	20-24	1,16	132 J 15019 X	162 A 18709 X	131 J 15019 X
	26-28	0,65	132 J 15029 X	162 A 18719 X	131 J 15029 X

J = 50 micro inch gold plating - Other platings on request.
 A = gold flash plating.



REG.-Nr. 40000440



File #: E202784
 E228329



File #: LR115000