



Chipsmall Limited consists of a professional team with an average of over 10 year of expertise in the distribution of electronic components. Based in Hongkong, we have already established firm and mutual-benefit business relationships with customers from,Europe,America and south Asia,supplying obsolete and hard-to-find components to meet their specific needs.

With the principle of “Quality Parts,Customers Priority,Honest Operation,and Considerate Service”,our business mainly focus on the distribution of electronic components. Line cards we deal with include Microchip,ALPS,ROHM,Xilinx,Pulse,ON,Everlight and Freescale. Main products comprise IC,Modules,Potentiometer,IC Socket,Relay,Connector.Our parts cover such applications as commercial,industrial, and automotives areas.

We are looking forward to setting up business relationship with you and hope to provide you with the best service and solution. Let us make a better world for our industry!



Contact us

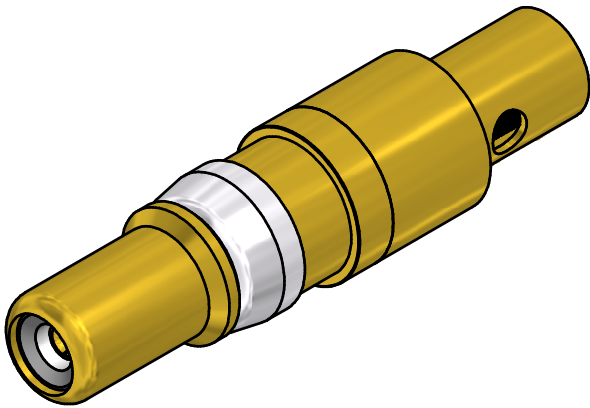
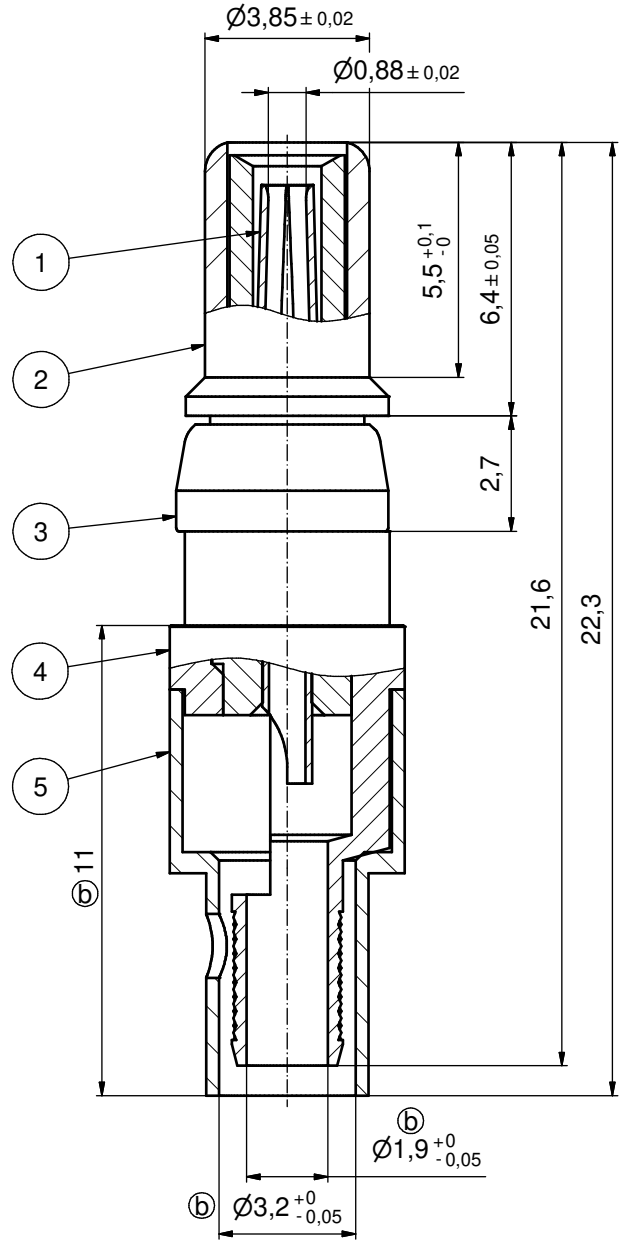
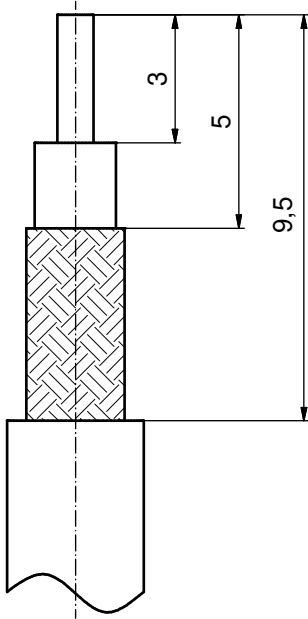
Tel: +86-755-8981 8866 Fax: +86-755-8427 6832

Email & Skype: info@chipsmall.com Web: www.chipsmall.com

Address: A1208, Overseas Decoration Building, #122 Zhenhua RD., Futian, Shenzhen, China



⑥ STRIPPING DIMENSIONS



⑥ **ASSEMBLY TOOLING:**

1. CENTER CONTACT:
SOLDERED
2. OUTER CONDUCTOR:
SOLDERED OR CRIMPED
USE CRIMP TOOL: 360X10519X
WITH TOOL INSERT: 360X11019X
INSERT CAVITY B: HEX 3.25 / .128"

Part no.	Finish Pos.1	Finish Pos.2	Finish Pos.3	Finish Pos. 4/5
131J20029X	50µin HARD GOLD over min. 50µin NICKEL	30µin HARD GOLD over min. 50µin NICKEL	NICKEL PLATED	GOLD FLASH over NICKEL
131A20029X	GOLD FLASH over NICKEL	GOLD FLASH over NICKEL	NICKEL PLATED	GOLD FLASH over NICKEL

THIS DRAWING MAY NOT BE COPIED OR REPRODUCED IN ANY WAY, AND MAY NOT BE PASSED ON TO A THIRD PARTY WITHOUT WRITTEN PERMISSION. OWNERSHIP AND COPYRIGHT OF CONEC GmbH DO NOT ALTER CAD DRAWING BY HAND	tolerance		dim. in mm		scale: 8:1
	date		name		material: COPPER ALLOY (Pos. 1-5)
	drawn	29.08.05	Lehmenkühler		title: COAXIAL CONTACT PLUG 50 OHM inner conductor for solder termination outer conductor for solder or crimp termination
	appd.	30.08.05	Mickenbecker		
	norm				
d-old				dwg no:	
6 x b	Ä4538	16.11.12	Lehmen	DIN-A3 sh: 1	
a	Original			13K2IAPA	
rev.	description	date	name	part no: see table	

Directive 2002/95/EC RoHS compliant

