



Chipsmall Limited consists of a professional team with an average of over 10 year of expertise in the distribution of electronic components. Based in Hongkong, we have already established firm and mutual-benefit business relationships with customers from,Europe,America and south Asia,supplying obsolete and hard-to-find components to meet their specific needs.

With the principle of "Quality Parts,Customers Priority,Honest Operation,and Considerate Service",our business mainly focus on the distribution of electronic components. Line cards we deal with include Microchip,ALPS,ROHM,Xilinx,Pulse,ON,Everlight and Freescale. Main products comprise IC,Modules,Potentiometer,IC Socket,Relay,Connector.Our parts cover such applications as commercial,industrial, and automotives areas.

We are looking forward to setting up business relationship with you and hope to provide you with the best service and solution. Let us make a better world for our industry!



Contact us

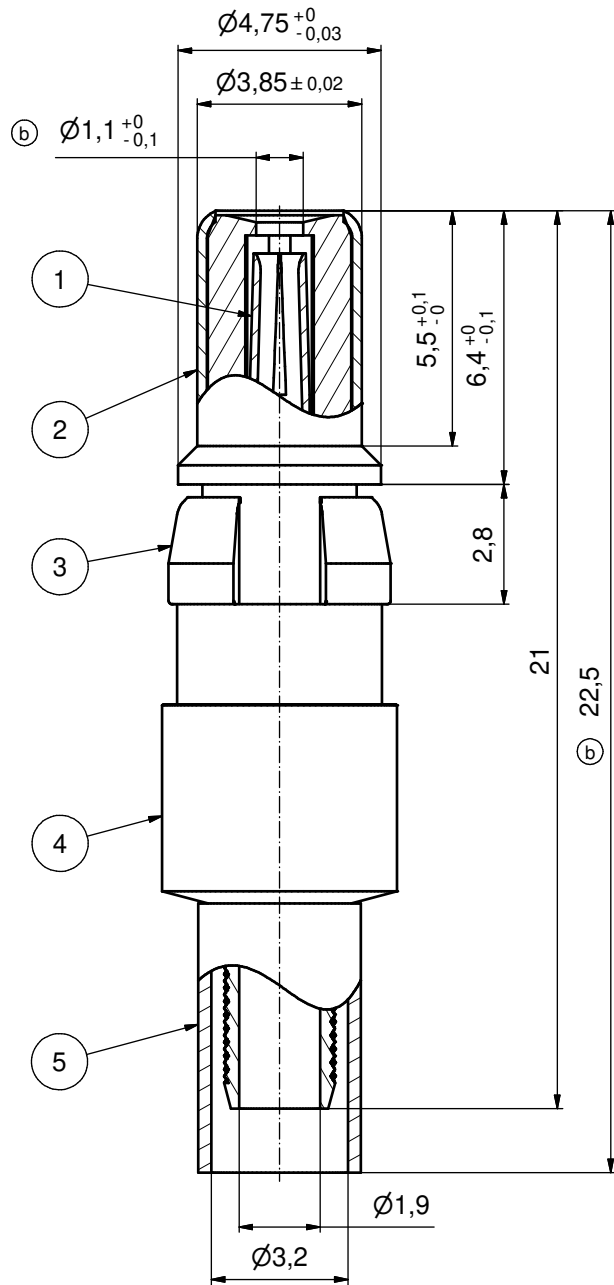
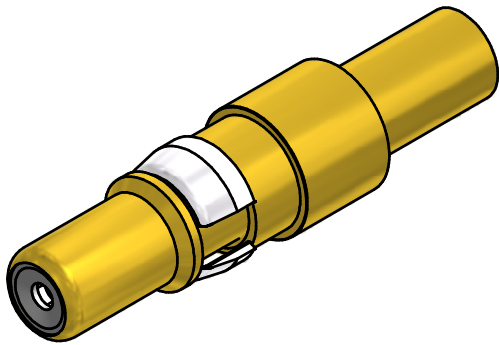
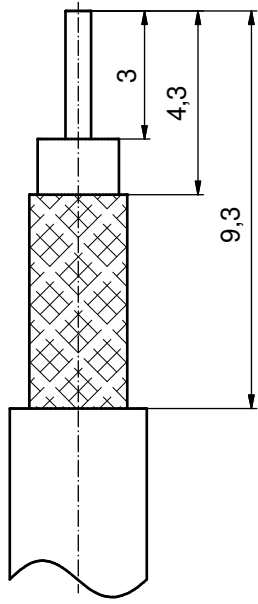
Tel: +86-755-8981 8866 Fax: +86-755-8427 6832

Email & Skype: info@chipsmall.com Web: www.chipsmall.com

Address: A1208, Overseas Decoration Building, #122 Zhenhua RD., Futian, Shenzhen, China



(b) STRIPPING DIMENSIONS



(b) ASSEMBLY TOOLING:

1. CENTER CONTACT:
 USE CRIMP TOOL: 360X10329X
 WITH TOOL INSERT: 360X11049X
 SELECTOR SETTING: 5 (FOR AWG26 CENTER CONDUCTOR OF CABLE)
2. CRIMP FERRULE:
 USE CRIMP TOOL: 360X10519X
 WITH TOOL INSERT: 360X11019X
 INSERT CAVITY B: HEX 3.25/.128

Part no.	Finish Pos.1	Finish Pos.2	Finish Pos.3	Finish Pos. 4/5
131J21019X	min. 50µin HARD GOLD over min. 50µin NICKEL	min. 30µin HARD GOLD over min. 50µin NICKEL	NICKEL PLATED	GOLD FLASH over NICKEL
131A21019X	GOLD FLASH over NICKEL	GOLD FLASH over NICKEL	NICKEL PLATED	GOLD FLASH over NICKEL

Directive 2002/95/EC RoHS compliant

THIS DRAWING MAY NOT BE COPIED OR REPRODUCED IN ANY WAY, AND MAY NOT BE PASSED ON TO A THIRD PARTY WITHOUT WRITTEN PERMISSION. OWNERSHIP AND COPYRIGHT OF CONEC GmbH DO NOT ALTER CAD DRAWING BY HAND	tolerance		dim. in mm		scale: 8:1
	material: COPPER ALLOY (Pos.1 - 5)				(b)
	drawn	11.11.99	Mickenbecker		title: COAXIAL CONTACT PLUG 50 OHM inner + outer conductor for crimp termination for cable 174U, 188AU, 316U
	appd.	16.11.99	Barcinski		
	norm				
6 x b	Ä 3774	12.10.10	HS	dwg no: Inventor 10	DIN-A3
a	Origin			13K2IV8A	sh: 1
rev.	description	date	name	part no: see table	

