



Chipsmall Limited consists of a professional team with an average of over 10 year of expertise in the distribution of electronic components. Based in Hongkong, we have already established firm and mutual-benefit business relationships with customers from,Europe,America and south Asia,supplying obsolete and hard-to-find components to meet their specific needs.

With the principle of “Quality Parts,Customers Priority,Honest Operation,and Considerate Service”,our business mainly focus on the distribution of electronic components. Line cards we deal with include Microchip,ALPS,ROHM,Xilinx,Pulse,ON,Everlight and Freescale. Main products comprise IC,Modules,Potentiometer,IC Socket,Relay,Connector.Our parts cover such applications as commercial,industrial, and automotives areas.

We are looking forward to setting up business relationship with you and hope to provide you with the best service and solution. Let us make a better world for our industry!



Contact us

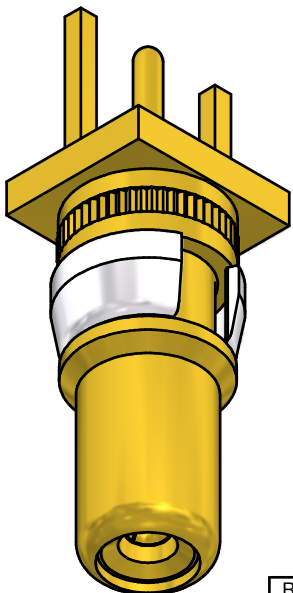
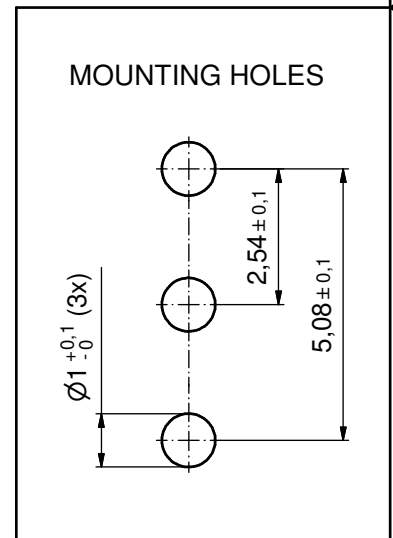
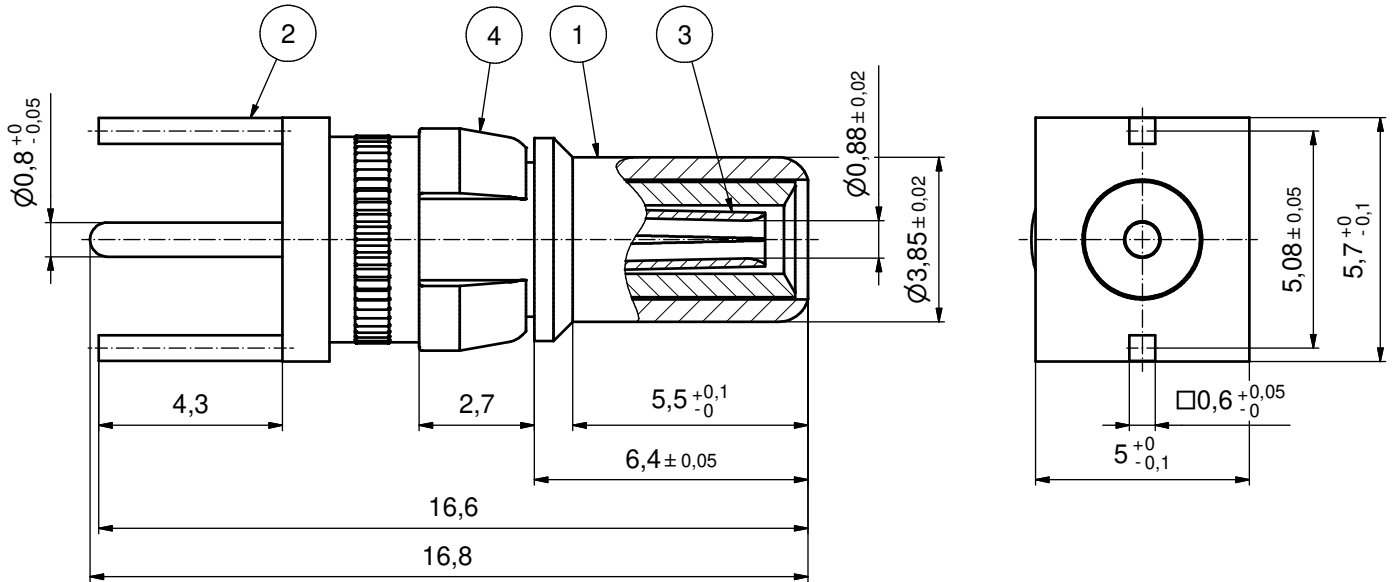
Tel: +86-755-8981 8866 Fax: +86-755-8427 6832

Email & Skype: info@chipsmall.com Web: www.chipsmall.com

Address: A1208, Overseas Decoration Building, #122 Zhenhua RD., Futian, Shenzhen, China



Part no.	Finish Pos. 1	Finish Pos. 2	Finish Pos. 3	Finish Pos. 4
② 131A24019X	GOLD FLASH over NICKEL	GOLD FLASH over NICKEL	GOLD FLASH over NICKEL	NICKEL PLATED
131J24019X	min. 30µin HARD GOLD over min. 50µin NICKEL	GOLD FLASH over NICKEL	min. 50µin HARD GOLD over min. 50µin NICKEL	NICKEL PLATED



RoHS compliant

THIS DRAWING MAY NOT BE COPIED OR REPRODUCED IN ANY WAY, AND MAY NOT BE PASSED ON TO A THIRD PARTY WITHOUT WRITTEN PERMISSION. OWNERSHIP AND COPYRIGHT OF CONEC GmbH DO NOT ALTER CAD DRAWING BY HAND				tolerance		scale: 8:1	
				dim. in mm		material: siehe Stückliste	
				date	name	title:	
				drawn 23.08.01	Parei	KOAXIALKONTAKTSTIFT 50 OHM	
				appd. 23.08.01	E. Mickenbecker	LÖTANSCHLUß GERADE (76) MIT 3 PINS D-SUB COMBINATION	
			norm		dwg no:	DIN-A3	
			d-old		13K2A038A	sh: 1	
1 x b	Ä6239	14.07.2016	Lehm.	CONEC ®			part no: SEE TABLE
a	Original						
rev.	description	date	name				