



Chipsmall Limited consists of a professional team with an average of over 10 year of expertise in the distribution of electronic components. Based in Hongkong, we have already established firm and mutual-benefit business relationships with customers from,Europe,America and south Asia,supplying obsolete and hard-to-find components to meet their specific needs.

With the principle of “Quality Parts,Customers Priority,Honest Operation,and Considerate Service”,our business mainly focus on the distribution of electronic components. Line cards we deal with include Microchip,ALPS,ROHM,Xilinx,Pulse,ON,Everlight and Freescale. Main products comprise IC,Modules,Potentiometer,IC Socket,Relay,Connector.Our parts cover such applications as commercial,industrial, and automotives areas.

We are looking forward to setting up business relationship with you and hope to provide you with the best service and solution. Let us make a better world for our industry!



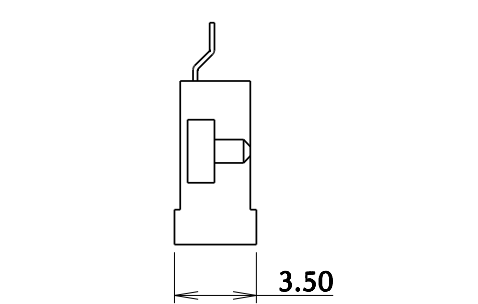
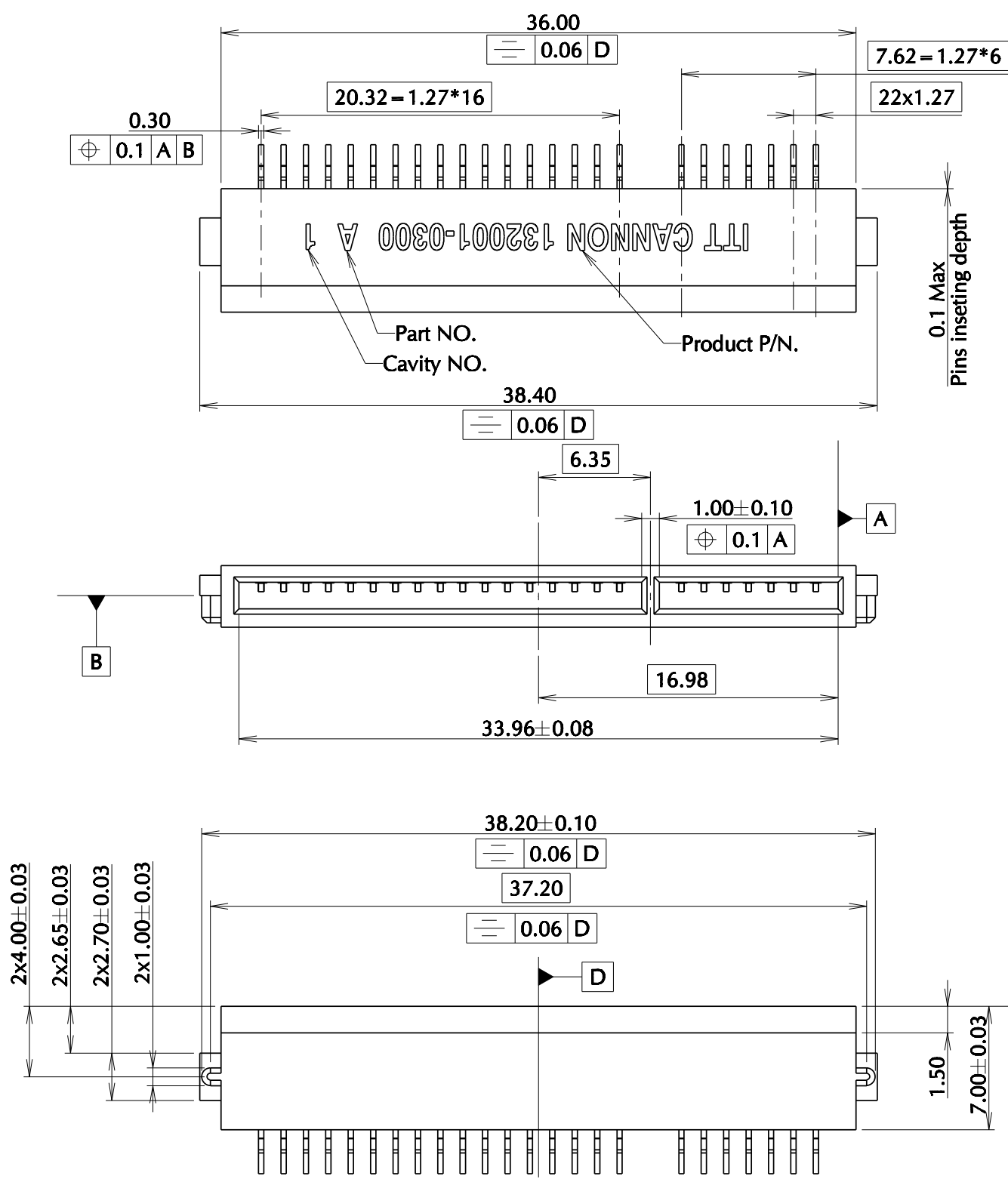
## Contact us

Tel: +86-755-8981 8866 Fax: +86-755-8427 6832

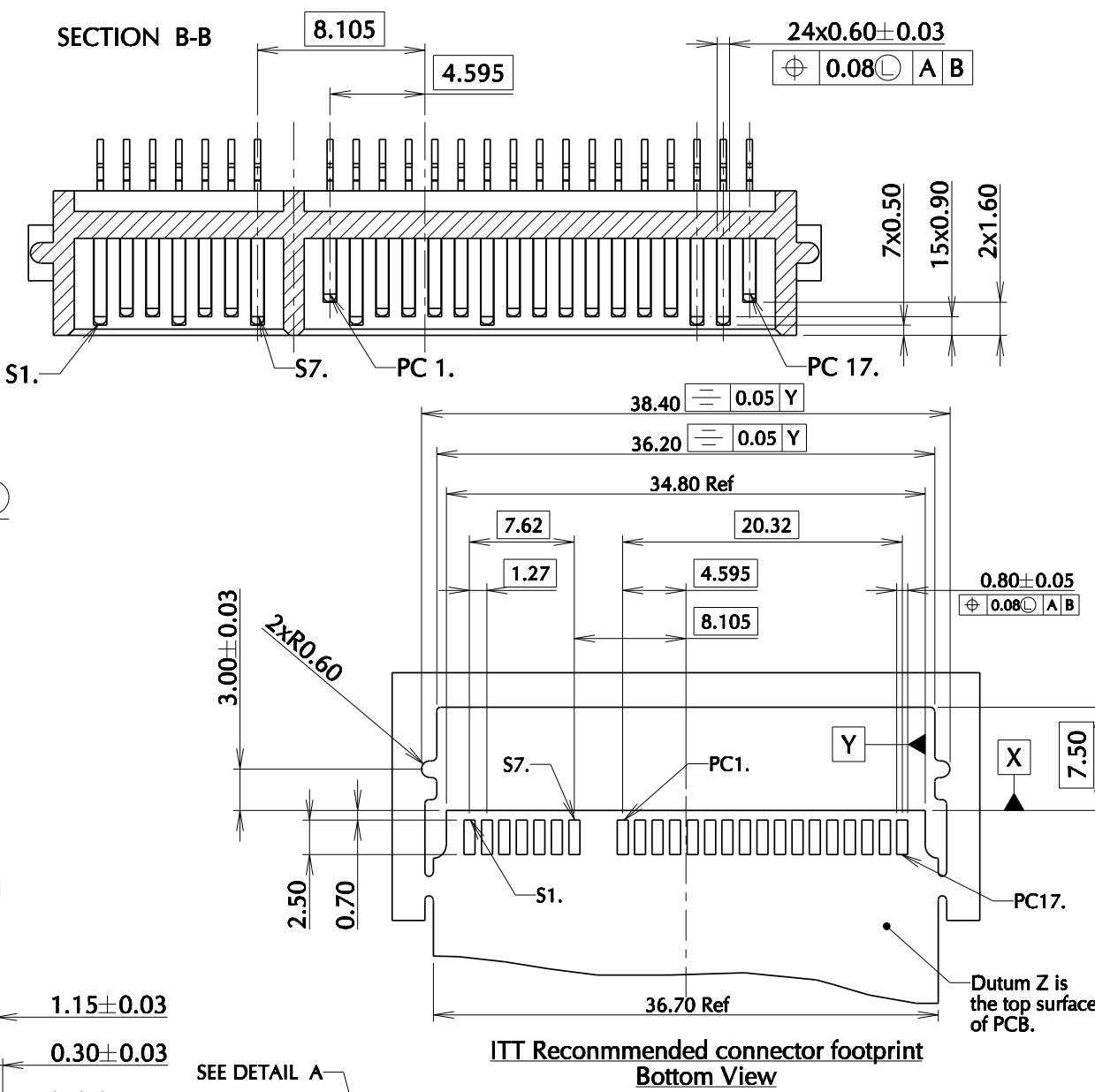
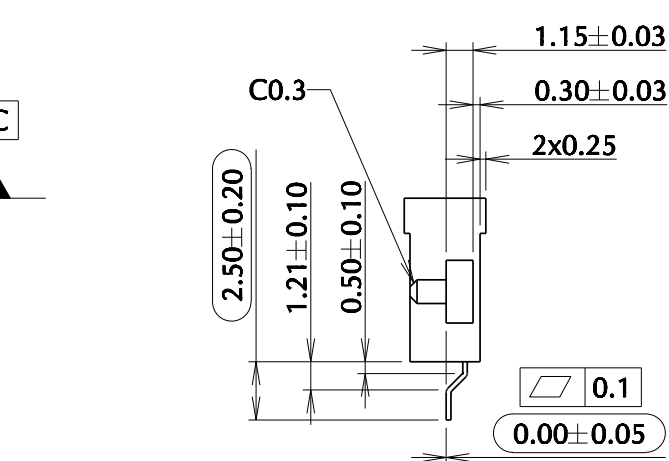
Email & Skype: info@chipsmall.com Web: www.chipsmall.com

Address: A1208, Overseas Decoration Building, #122 Zhenhua RD., Futian, Shenzhen, China





DETAIL A SCALE 6:1



**NOTE**

- The application connector products per CFAST standard.
- Material:
  - Housing: LCP Resin, UL94-V0, Black.
  - Contact: Phosphor bronze, Thickness 0.2mm.
  - Plating spec: Contact area: Au 0.381um Min over matte Ni 1.0~2.5um underplating; Solder trail area: Pure Tin over Ni 1.0~2.5um Underplating.
- Unspecified tolerance:
  - up to 6 ±0.05
  - over 6 to 30 ±0.10
  - over 30 to 120 ±0.15

SECTION A-A

<b>DO NOT SCALE</b>			Total Volume : 3	Total Surface Area : 2	PDM:	A3/B
Drawn	HC	01-Sep-09	Material: See notes.	3rd ANGLE PROJECTION Surface Roughness Unless Specified	ITT Industries Cannon Electronics (SZ) Co. Ltd.	Toupan Industrial Area, Jinda Cheng, Xiner Village, Shajing Town, Baoan District, Shenzhen City PRC 518125
Checked	PX	01-Sep-09				
Engineer.			Treatment:			Pro/E Generic Model
Manufact.						Title
Assembly						<b>CFAST MODULE CONNECTOR, 0 mm OFFSET,CUSTOMER DRAWING</b>
Quality						Drwg. No. <b>CU-132001-0300</b>
Approvals	Sign	Date	Dimensions in: mm	Cust Spec No:	Scale 3:1	Sheet 1 of 1
A The first issue. 01-Sep-09			This is issued in strict confidence on condition that it is not used as a basis for manufacture or sale and that it is not copied reprinted or disclosed to a third party either wholly or in part without the prior written consent of ITT Industries © 01-Sep-09			