



Chipsmall Limited consists of a professional team with an average of over 10 year of expertise in the distribution of electronic components. Based in Hongkong, we have already established firm and mutual-benefit business relationships with customers from,Europe,America and south Asia,supplying obsolete and hard-to-find components to meet their specific needs.

With the principle of “Quality Parts,Customers Priority,Honest Operation,and Considerate Service”,our business mainly focus on the distribution of electronic components. Line cards we deal with include Microchip,ALPS,ROHM,Xilinx,Pulse,ON,Everlight and Freescale. Main products comprise IC,Modules,Potentiometer,IC Socket,Relay,Connector.Our parts cover such applications as commercial,industrial, and automotives areas.

We are looking forward to setting up business relationship with you and hope to provide you with the best service and solution. Let us make a better world for our industry!



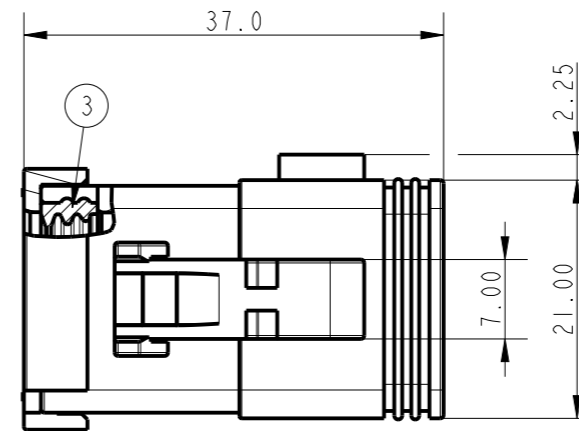
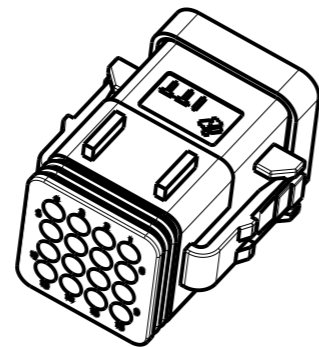
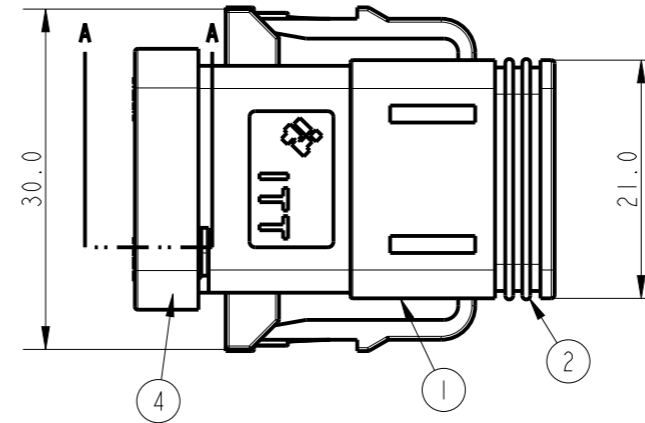
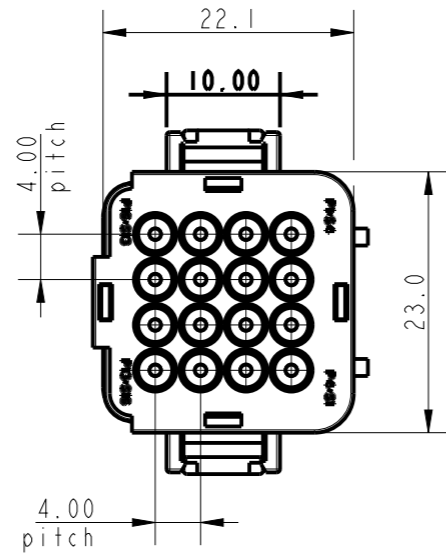
Contact us

Tel: +86-755-8981 8866 Fax: +86-755-8427 6832

Email & Skype: info@chipsmall.com Web: www.chipsmall.com

Address: A1208, Overseas Decoration Building, #122 Zhenhua RD., Futian, Shenzhen, China





SECTION A-A

	TOLERANCE
.X	+/-0.3
.XX	+/-0.20

ITEM	DESCRIPTION	MATERIAL	QTY
4	end cap, 16 way	high temperature plastic	1
3	end gasket, 16 way	silicon rubber	1
2	interface gasket, 16 way	silicon rubber	1
1	Plug Housing For 16 Way	high temperature plastic	1

DO NOT SCALE		Total Volume = mm ³	Total Surface Area = mm ²	PDM:	A3/B
Drawn	PH	23-Mar-2012	 Surface Roughness Unless Specified	 ITT Industries Cannon Electronics (SZ) Co. Ltd. Toupandun Industrial Area, Jinda Cheng, Xiner Village, Shajing Town, Baoan District, Shenzhen City PRC 518125	Pro/E Generic Model
Checked	PX	23-Mar-2012			Title OFF ROAD CONNECTOR PLUG, 16way, BLACK TYPE
Engineer.					
Manufact.					
Assembly					
Quality			Treatment:	Ref:	Drwg. No. CU-132015-0073 iss/rev A
Approvals	Sign	Date	Dimensions in: mm	Cust Spec No:	Scale 0.350 Sheet 1 of 1

This is issued in strict confidence on condition that it is not used as a basis for manufacture or sale and that it is not copied reprinted or disclosed to a third party either wholly or in part without the prior written consent of ITT Industries © 28-Apr-10