



Chipsmall Limited consists of a professional team with an average of over 10 year of expertise in the distribution of electronic components. Based in Hongkong, we have already established firm and mutual-benefit business relationships with customers from,Europe,America and south Asia,supplying obsolete and hard-to-find components to meet their specific needs.

With the principle of “Quality Parts,Customers Priority,Honest Operation,and Considerate Service”,our business mainly focus on the distribution of electronic components. Line cards we deal with include Microchip,ALPS,ROHM,Xilinx,Pulse,ON,Everlight and Freescale. Main products comprise IC,Modules,Potentiometer,IC Socket,Relay,Connector.Our parts cover such applications as commercial,industrial, and automotives areas.

We are looking forward to setting up business relationship with you and hope to provide you with the best service and solution. Let us make a better world for our industry!



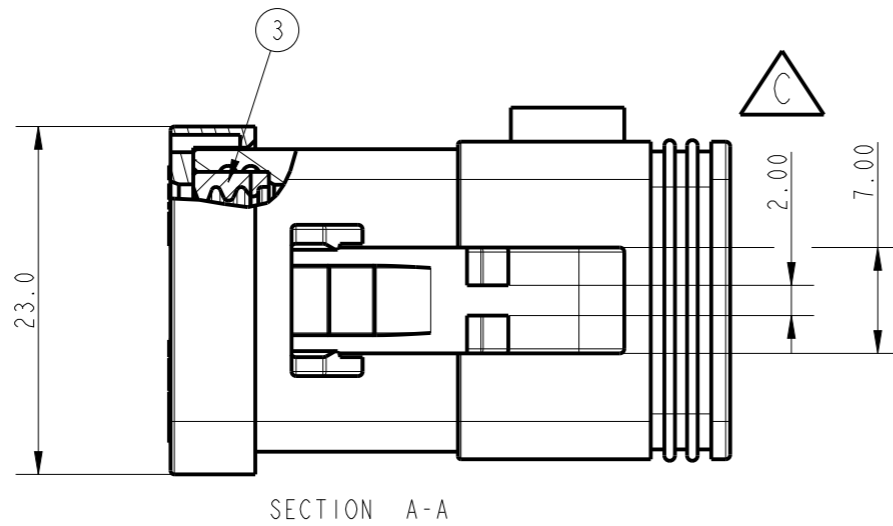
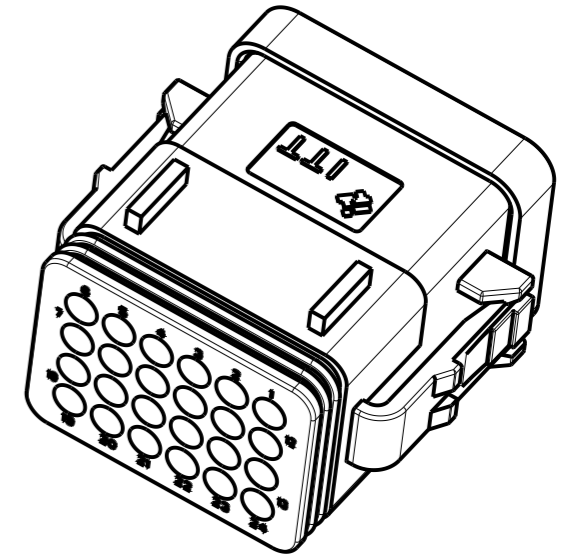
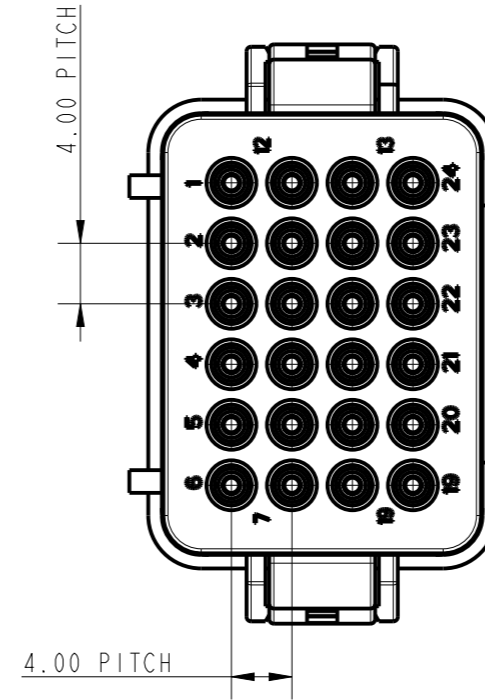
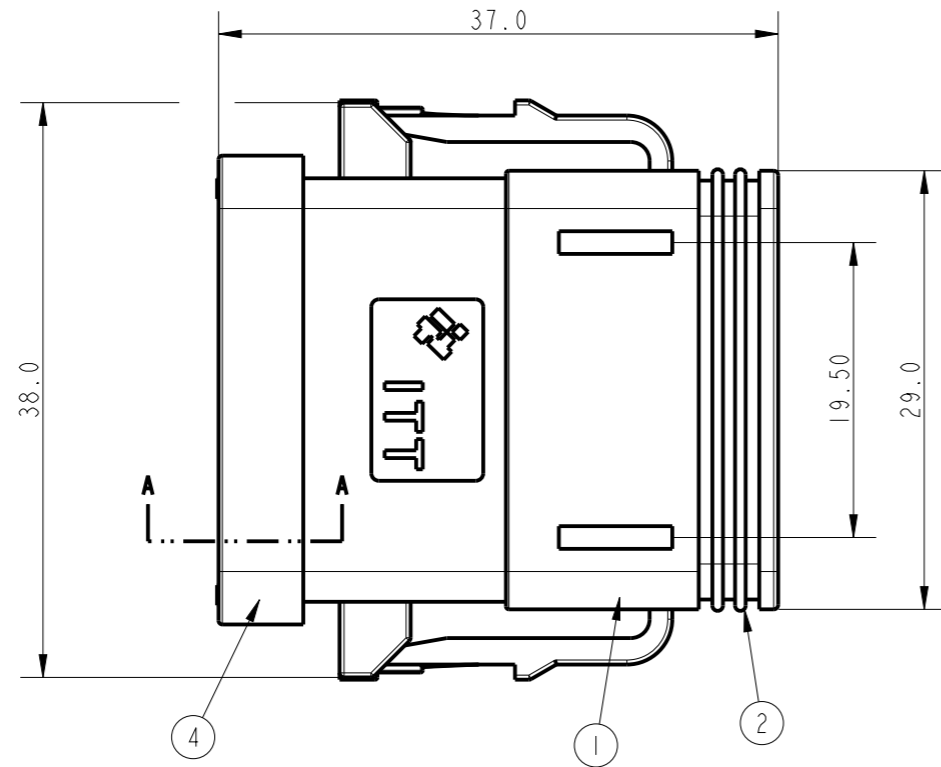
## Contact us

Tel: +86-755-8981 8866 Fax: +86-755-8427 6832

Email & Skype: info@chipsmall.com Web: www.chipsmall.com

Address: A1208, Overseas Decoration Building, #122 Zhenhua RD., Futian, Shenzhen, China





	TOLERANCE
.X	+/-0.3
.XX	+/-0.20

ITEM	DESCRIPTION	Material	QTY
4	end cap, 24 way	high temperature plastic	1
3	end gasket, 24 way	silicon rubber	1
2	interface gasket, 24 way	silicon rubber	1
1	Plug Housing For 24 Way	high temperature plastic	1

Iss/Rev	DCN/ECN or Description	Date
C	CHANGE FOR LATCH RETENTION INCREASE	14-Dec-2016
B	ADD MATERIAL	26-May-2016
A	FIRST ISSUE	23-Mar-2012

<b>DO NOT SCALE</b>		Total Volume = mm <sup>3</sup>	Total Surface Area = mm <sup>2</sup>	PDM:	A3/B
Drawn	XD	14-Dec-2016	<p>ITT Industries Toupan Industrial Area, Jinda Cheng, Xiner Village, Shajing Town, Baoan District, Shenzhen City PRC 518125</p>	Pro/E Generic Model	
Checked	XD	14-Dec-2016		Title	
Engineer.				<b>OFF ROAD CONNECTOR PLUG, 24WAY, BLACK TYPE</b>	
Manufact.				Drwg. No. <b>CU-132015-0075</b>	
Assembly			Ref:	Scale 0.350	Sheet 1 of 1
Quality			Cust Spec No:		iss/rev <b>C</b>
Approvals	Sign	Date	Dimensions in: mm	This is issued in strict confidence on condition that it is not used as a basis for manufacture or sale and that it is not copied reprinted or disclosed to a third party either wholly or in part without the prior written consent of ITT Industries © 28-Apr-10	