



Chipsmall Limited consists of a professional team with an average of over 10 year of expertise in the distribution of electronic components. Based in Hongkong, we have already established firm and mutual-benefit business relationships with customers from,Europe,America and south Asia,supplying obsolete and hard-to-find components to meet their specific needs.

With the principle of "Quality Parts,Customers Priority,Honest Operation,and Considerate Service",our business mainly focus on the distribution of electronic components. Line cards we deal with include Microchip,ALPS,ROHM,Xilinx,Pulse,ON,Everlight and Freescale. Main products comprise IC,Modules,Potentiometer,IC Socket,Relay,Connector.Our parts cover such applications as commercial,industrial, and automotives areas.

We are looking forward to setting up business relationship with you and hope to provide you with the best service and solution. Let us make a better world for our industry!



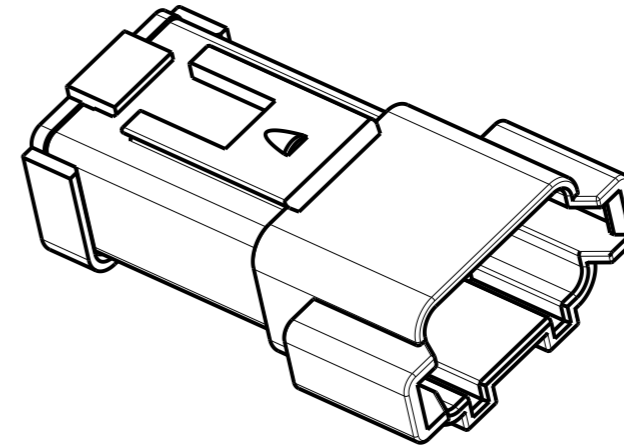
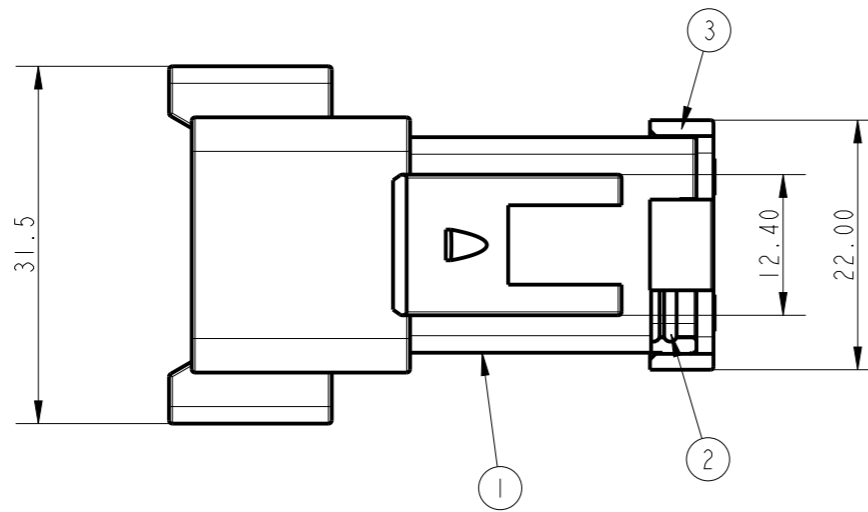
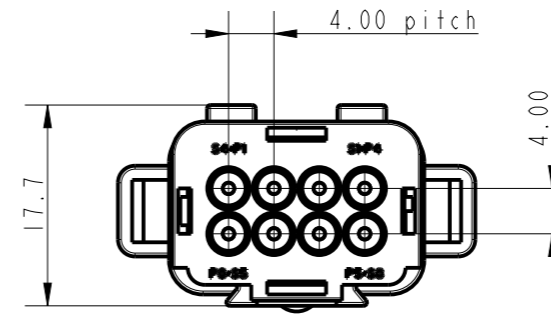
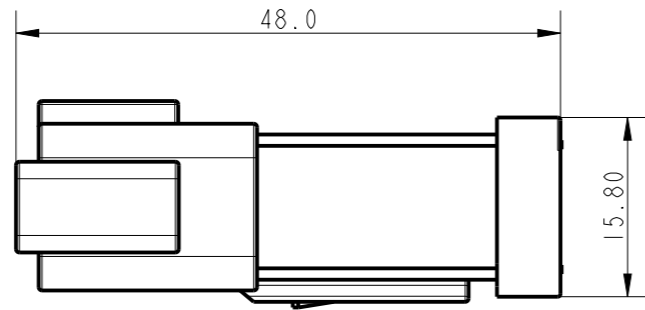
Contact us

Tel: +86-755-8981 8866 Fax: +86-755-8427 6832

Email & Skype: info@chipsmall.com Web: www.chipsmall.com

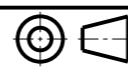


Address: A1208, Overseas Decoration Building, #122 Zhenhua RD., Futian, Shenzhen, China





| | Tolerance |
|-----|-----------|
| .X | ±0.3 |
| .XX | ±0.20 |

| ITEM | SZ | P/N | DESCRIPTION | MATERIAL | QTY |
|------|--------------|-----|---------------------------|--------------------------|-----|
| 3 | 140-4003-247 | | end cap | high temperature plastic | 1 |
| 2 | 273-4001-090 | | end gasket, 8 way | silicon rubber | 1 |
| 1 | 140-4003-144 | | Receptacle Housing, 8 Way | high temperature plastic | 1 |

| | | | | | | |
|---------------------|------|------------------|--|--|--|--|
| DO NOT SCALE | | Total Volume = 3 | Total Surface Area = 2 | PDM: | A3/B | |
| Drawn | XD | 07-June-2016 |  3rd ANGLE PROJECTION Surface Roughness  Unless Specified |  ITT Industries Cannon Electronics (SZ) Co. Ltd. Toupandun Industrial Area, Jinda Cheng, Xiner Village, Shajing Town, Baoan District, Shenzhen City PRC 518125 | <i>Pro/E Generic Model</i> | |
| Checked | XD | 07-June-2016 | | | Title | |
| Engineer. | | | | | OFF ROAD CONNECTOR RECEPTACLE, 8WAY, BLACK TYPE | |
| Manufact. | | | | | Drwg. No. CU-132015-0130 | |
| Assembly | | | | | iss/rev A | |
| Quality | | | Scale 1500 Sheet 1 of 1 | | | |
| Approvals | Sign | Date | Dimensions in: mm | Cust Spec No: | | |

This is issued in strict confidence on condition that it is not used as a basis for manufacture or sale and that it is not copied reprinted or disclosed to a third party either wholly or in part without the prior written consent of ITT Industries C 23-Mar-12