



Chipsmall Limited consists of a professional team with an average of over 10 year of expertise in the distribution of electronic components. Based in Hongkong, we have already established firm and mutual-benefit business relationships with customers from,Europe,America and south Asia,supplying obsolete and hard-to-find components to meet their specific needs.

With the principle of “Quality Parts,Customers Priority,Honest Operation,and Considerate Service”,our business mainly focus on the distribution of electronic components. Line cards we deal with include Microchip,ALPS,ROHM,Xilinx,Pulse,ON,Everlight and Freescale. Main products comprise IC,Modules,Potentiometer,IC Socket,Relay,Connector.Our parts cover such applications as commercial,industrial, and automotives areas.

We are looking forward to setting up business relationship with you and hope to provide you with the best service and solution. Let us make a better world for our industry!



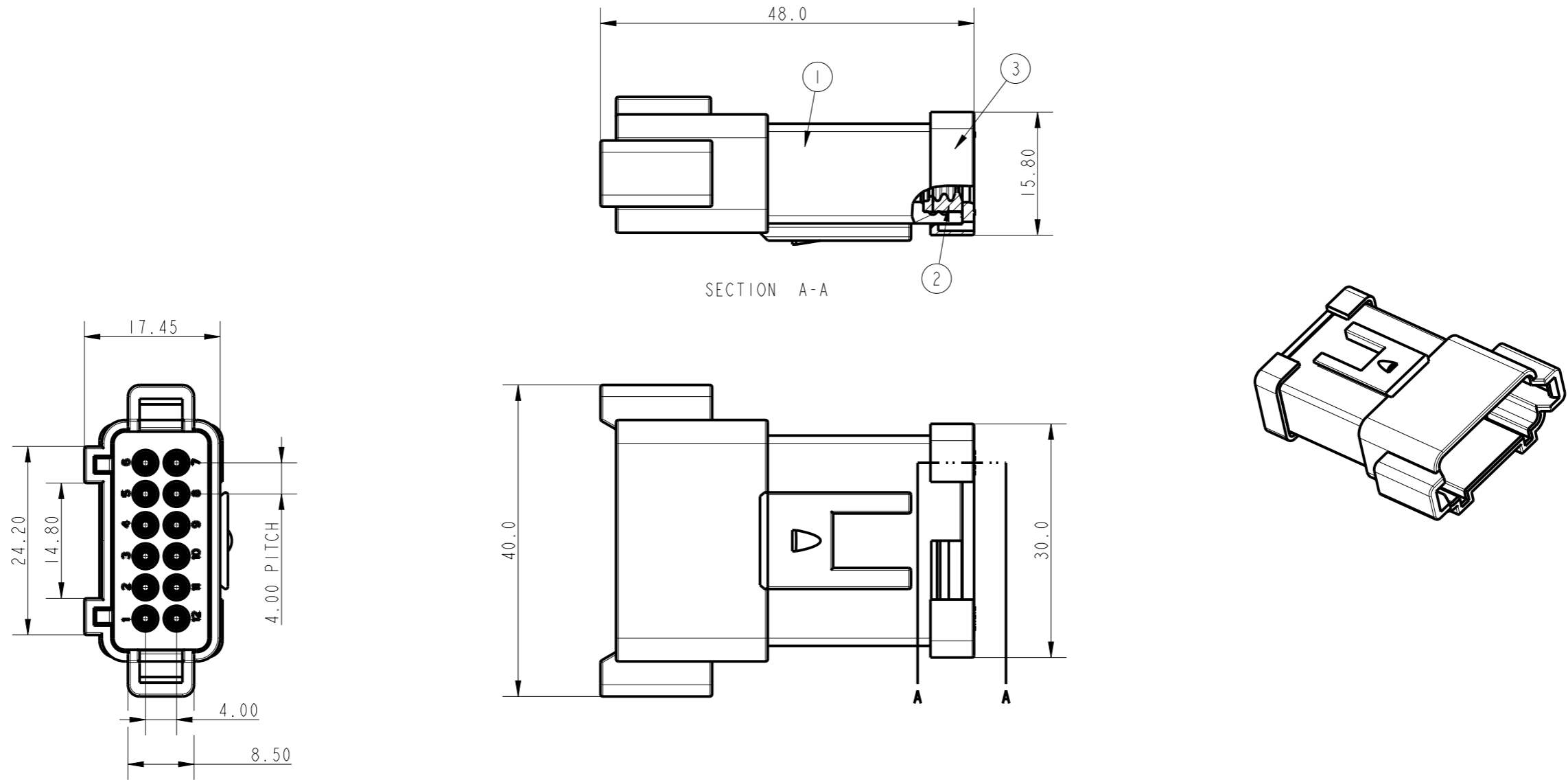
## Contact us

Tel: +86-755-8981 8866 Fax: +86-755-8427 6832

Email & Skype: info@chipsmall.com Web: www.chipsmall.com

Address: A1208, Overseas Decoration Building, #122 Zhenhua RD., Futian, Shenzhen, China





	TOLERANCE
.X	+/-0.3
.XX	+/-0.20

ITEM	SZ	P/N	DESCRIPTION	MATERIAL	QTY
3		140-4003-248	end cap	high temperature plastic	1
2		273-4001-088	end gasket, 12 way	silicon rubber	1
1		140-4003-142	Receptacle Housing, 12 Way	high temperature plastic	1

<b>DO NOT SCALE</b>		Total Volume = 3	Total Surface Area = 2	PDM:	A3/B
Drawn	XD	23-Mar-2016	 3rd ANGLE PROJECTION Surface Roughness Unless Specified	 ITT Industries Toupandun Industrial Area, Jinda Cheng, Xiner Village, Shajing Town, Baoan District, Shenzhen City PRC 518125 Cannon Electronics (SZ) Co. Ltd.	Pro/E Generic Model
Checked	XD	23-Mar-2016			Title
Engineer.		.			OFF ROAD CONNECTOR RECEPTACLE, 12way, BLACK TYPE
Manufact.		.			
Assembly		.			
Quality		.		Drwg. No. <b>CU-132015-0131</b>	iss/rev <b>A</b>
Approvals	Sign	Date	Dimensions in: mm	Cust Spec No:	Scale 1500 Sheet 1 of 1