



Chipsmall Limited consists of a professional team with an average of over 10 year of expertise in the distribution of electronic components. Based in Hongkong, we have already established firm and mutual-benefit business relationships with customers from,Europe,America and south Asia,supplying obsolete and hard-to-find components to meet their specific needs.

With the principle of “Quality Parts,Customers Priority,Honest Operation,and Considerate Service”,our business mainly focus on the distribution of electronic components. Line cards we deal with include Microchip,ALPS,ROHM,Xilinx,Pulse,ON,Everlight and Freescale. Main products comprise IC,Modules,Potentiometer,IC Socket,Relay,Connector.Our parts cover such applications as commercial,industrial, and automotives areas.

We are looking forward to setting up business relationship with you and hope to provide you with the best service and solution. Let us make a better world for our industry!



## Contact us

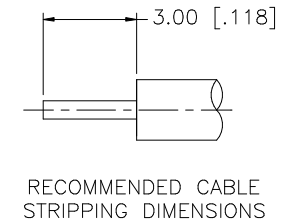
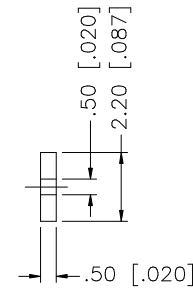
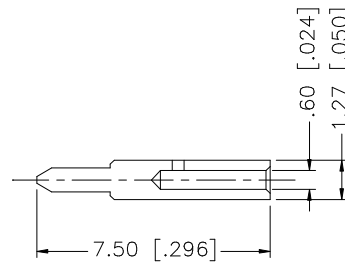
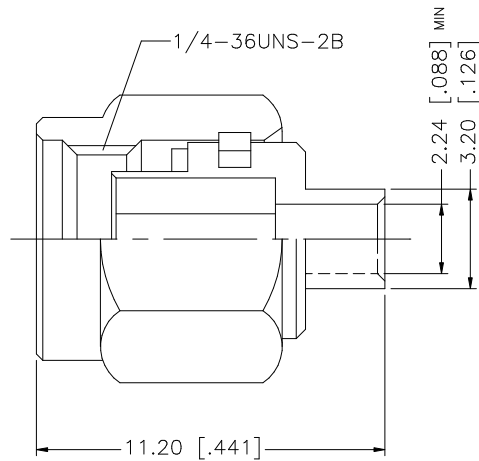
Tel: +86-755-8981 8866 Fax: +86-755-8427 6832

Email & Skype: info@chipsmall.com Web: www.chipsmall.com

Address: A1208, Overseas Decoration Building, #122 Zhenhua RD., Futian, Shenzhen, China



REV.	DATE	DESCRIPTION
A	01/09/98	ADD CONTACT PIN/ CHANGE I.D./ REDIMENSION
B	01/26/02	ADD CROSS SECTION OF BODY
C	07/22/02	INCREASE BODY LENGTH TO 11.20
D	05/14/03	UPDATE DRAWING FORMAT



8					UNLESS OTHERWISE SPECIFIED DIMENSIONS ARE IN MILLIMETERS. DIMENSIONS IN [ ] ARE IN INCHES AND FOR CUSTOMER REFERENCE ONLY.	APPROVALS	DATE	<b>Amphenol Connex</b>				
7						DRAWN	G.R.S.					05/14/03
6					UNLESS OTHERWISE SPECIFIED TOLERANCES FOR MILLIMETERS ARE: 0.5 - 8mm ± 0.20mm 8 - 30mm ± 0.40mm 30 - 120mm ± 0.50mm	CHECKED		PART DESCRIPTION SMA SEMI-RIGID PLUG (FOR .085", .086" CABLE)				
5						ISSUED						
4	GASKET	SILICONE	RED	1	UNLESS OTHERWISE SPECIFIED TOLERANCES FOR INCHES ARE: .020 - .315 = ± 0.007" .315 - 1.180 = ± 0.015" 1.180 - 4.724 = ± 0.020"	SHEET	1 OF 1	PART NO. 132101				
3	CONTACT PIN	BRASS	GOLD	1								
2	INSULATOR	TEFLON	NATURAL	1	DO NOT SCALE DRAWING	CAD FILE		DWG. NO.		REV.	SIZE	SCALE
1	BODY	BRASS	GOLD	1		C:/132/132101.DWG		132101.DWG		NC	A	NA