



Chipsmall Limited consists of a professional team with an average of over 10 year of expertise in the distribution of electronic components. Based in Hongkong, we have already established firm and mutual-benefit business relationships with customers from,Europe,America and south Asia,supplying obsolete and hard-to-find components to meet their specific needs.

With the principle of “Quality Parts,Customers Priority,Honest Operation,and Considerate Service”,our business mainly focus on the distribution of electronic components. Line cards we deal with include Microchip,ALPS,ROHM,Xilinx,Pulse,ON,Everlight and Freescale. Main products comprise IC,Modules,Potentiometer,IC Socket,Relay,Connector.Our parts cover such applications as commercial,industrial, and automotives areas.

We are looking forward to setting up business relationship with you and hope to provide you with the best service and solution. Let us make a better world for our industry!



## Contact us

Tel: +86-755-8981 8866 Fax: +86-755-8427 6832

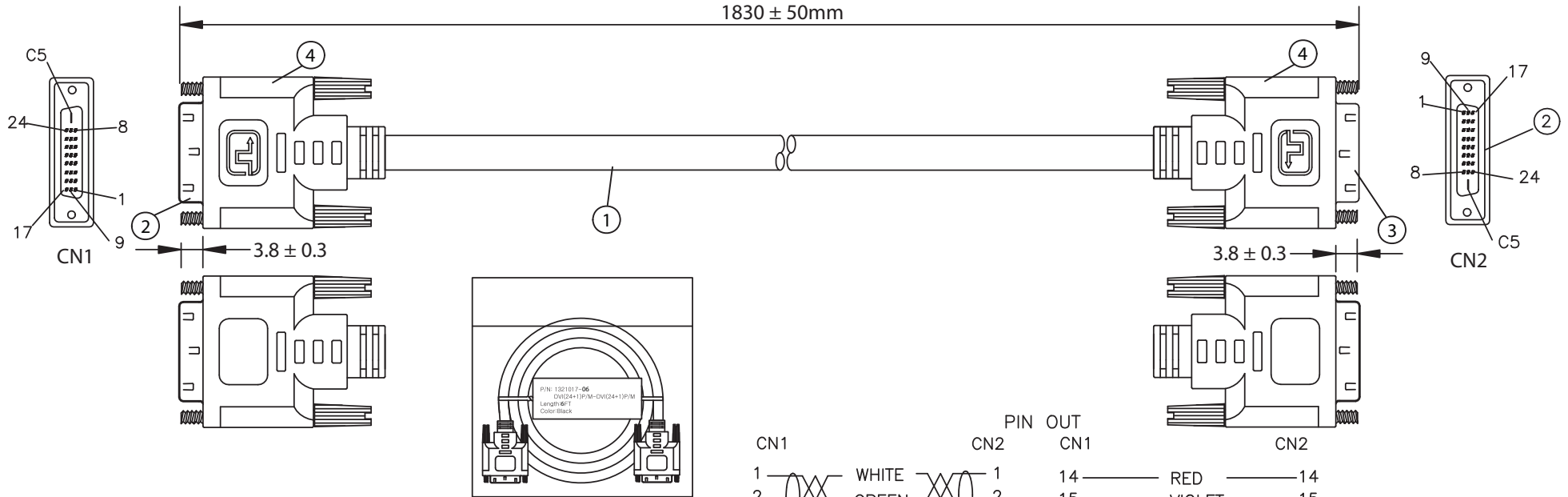
Email & Skype: info@chipsmall.com Web: www.chipsmall.com

Address: A1208, Overseas Decoration Building, #122 Zhenhua RD., Futian, Shenzhen, China



THESE DRAWINGS ARE THE PROPERTY OF QUALTEK ELECTRONICS AND NOT TO BE REPRODUCED FOR OR COMMUNICATED TO A THIRD PARTY WITHOUT THE EXPRESS WRITTEN PERMISSION OF AN OFFICER OF QUALTEK ELECTRONICS.

REVISION			
REV.	DESCRIPTION	DATE	APPROVED
B	Updated Pin out Notes and Graphics	07-21-16	LY



NOTES:

- CABLE: UL20276  
(28AWG\*1PR+EAM)\*7+28AWG\*1PR+28AWG\*3C+AEB(AL) 65%  
OUTER JACKET: BLACK, OD: 8.5 ± 0.2mm
- CONNECTOR: DVI 24+1 MALE  
INSULATOR: BLACK  
PIN G/F  
NICKEL PLATED SHELL  
THUMB SCREW: 2.8\*32.5 4-40UNC
- CONNECTOR: DVI 24+1 MALE  
INSULATOR: BLACK  
PIN G/F  
NICKEL PLATED SHELL  
THUMB SCREW: 2.8\*32.5 4-40UNC
- PVC MOLDED: COLOR V398 30P BLACK
- ELECTRICAL TEST:  
<1>.100% OPEN SHORT & MISS WIRE TEST  
<2>.INSULATION RESISTANCE: AC300V DC400V 10M ohm MIN.  
<3>.CONDUCTOR RESISTANCE: 3 ohm MAX.
- PACKING: 1PC/POLYBAG

CN1		CN2		CN1		CN2	
1	WHITE	1	RED	14	RED	14	RED
2	GREEN	2	VIOLET	15	VIOLET	15	VIOLET
3	DRAIN	3	WHITE	16	WHITE	16	WHITE
4	DRAIN	4	PINK	17	PINK	17	PINK
5	BLUE	5	ORANGE	18	ORANGE	18	ORANGE
6	YELLOW	6	DRAIN	19	DRAIN	19	DRAIN
7	ORANGE	7	DRAIN	20	DRAIN	20	DRAIN
8	WHITE	8	BLACK	21	BLACK	21	BLACK
9	WHITE	9	GRAY	22	GRAY	22	GRAY
10	RED	10	LIGHT-BLUE	23	LIGHT-BLUE	23	LIGHT-BLUE
11	DRAIN	11	VIOLET	24	VIOLET	24	VIOLET
12	DRAIN	12	DRAIN		DRAIN		DRAIN
13	WHITE	13	BRAID & DRAIN		BRAID & DRAIN		BRAID & DRAIN
	BROWN		SHELL		SHELL		SHELL

**CONTROLLED**

Dim range (mm)	Tolerance +/- (mm)	Qualtek Electronics Corp. WCI DIVISION		
		Part Number: 1321017-06	RoHS Compliant	
0-1	0.15	Description: DVI (24+1)P/M - DVI (24+1)P/M		
1-6	0.20		UNIT: mm	REV.B
6-18	0.30			
18-50	0.50			
50-120	0.70	Drawn / Date	Checked / Date	Approved / Date
120-250	0.90	B.Grubb 01-03-07	01-03-07	JJH / 01-03-07
250-500	1.20			