



Chipsmall Limited consists of a professional team with an average of over 10 year of expertise in the distribution of electronic components. Based in Hongkong, we have already established firm and mutual-benefit business relationships with customers from,Europe,America and south Asia,supplying obsolete and hard-to-find components to meet their specific needs.

With the principle of “Quality Parts,Customers Priority,Honest Operation,and Considerate Service”,our business mainly focus on the distribution of electronic components. Line cards we deal with include Microchip,ALPS,ROHM,Xilinx,Pulse,ON,Everlight and Freescale. Main products comprise IC,Modules,Potentiometer,IC Socket,Relay,Connector.Our parts cover such applications as commercial,industrial, and automotives areas.

We are looking forward to setting up business relationship with you and hope to provide you with the best service and solution. Let us make a better world for our industry!



Contact us

Tel: +86-755-8981 8866 Fax: +86-755-8427 6832

Email & Skype: info@chipsmall.com Web: www.chipsmall.com

Address: A1208, Overseas Decoration Building, #122 Zhenhua RD., Futian, Shenzhen, China

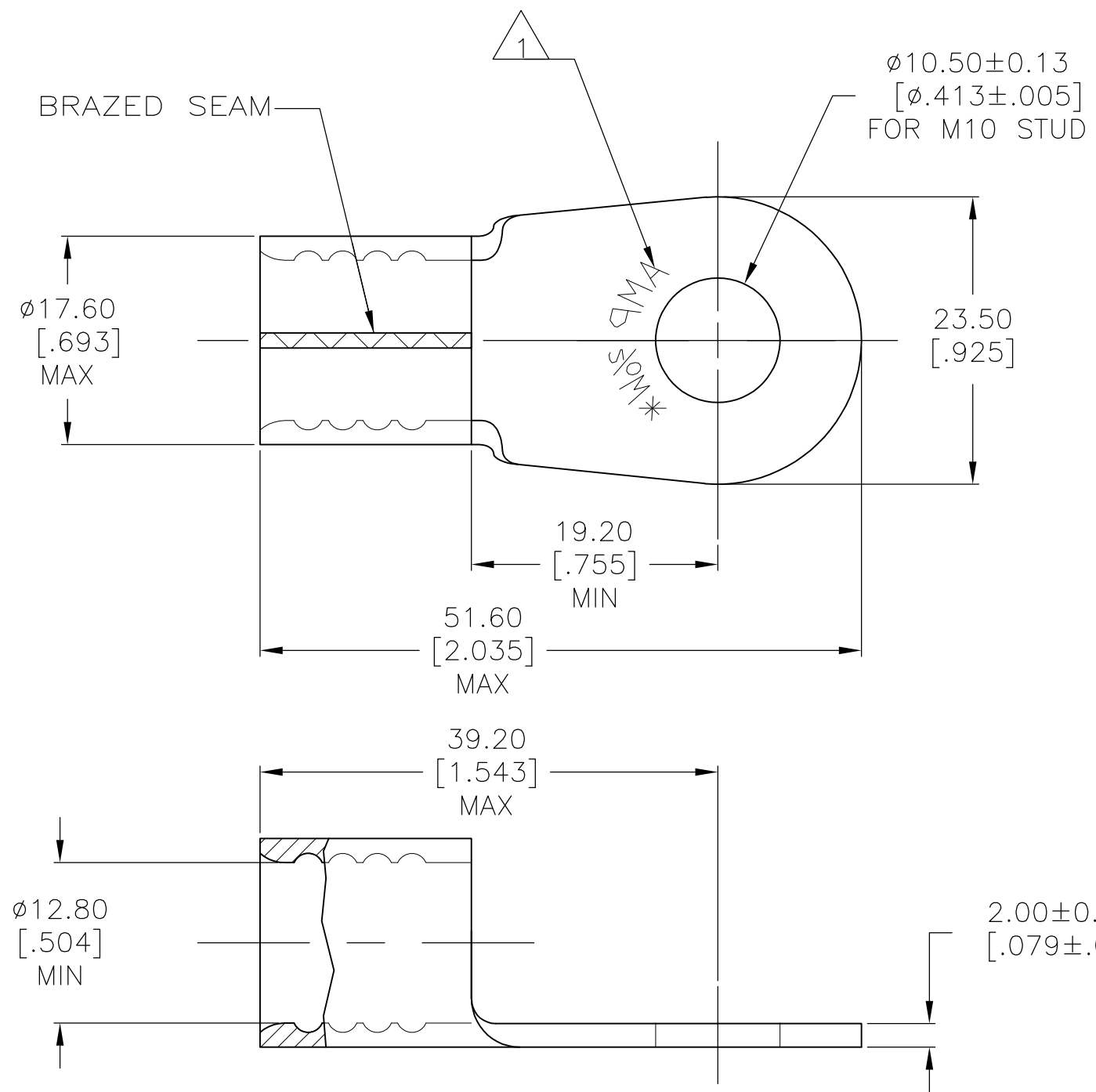


THIS DRAWING IS UNPUBLISHED. RELEASED FOR PUBLICATION
 © COPYRIGHT - By - ALL RIGHTS RESERVED.

LOC	DIST	REVISIONS					
G	05	P	LTR	DESCRIPTION	DATE	DWN	APVD
			B2	REVISED PER ECO-12-013449	23JUL12	KH	DR

AMP
WIRE RANGE

2/0 AWG
SOLID OR STRANDED



- 1 STAMP "AMP 2/0W*", LOCATED APPROX AS SHOWN
- 2 MAX OPERATION TEMPERATURE IS 343°C [650°F] MAX
- 3 WIRE CROSS SECTIONAL AREA IS 60.6-76.3mm² [119,500-150,000] CMA.
- 4 COPPER PER ASTM B-152, ANNEALED
- 5 NICKEL PLATE 0.00762 [0.0001300] MIN THK EXT PER SAE AMS QQ-N-290

25	LOOSE PIECE	132104-2
QTY	PACKAGE TYPE	PART NO.

THIS DRAWING IS A CONTROLLED DOCUMENT.		DWN	JR RUTH	25JAN10	STE TE Connectivity												
DIMENSIONS: mm [INCHES]		CHK	T MICHELUTTI	25JAN10													
TOLERANCES UNLESS OTHERWISE SPECIFIED:		APVD	T MICHELUTTI	25JAN10													
<table border="0"> <tr><td>0 PLC</td><td>± -</td></tr> <tr><td>1 PLC</td><td>± -</td></tr> <tr><td>2 PLC</td><td>± 0.20 [0.008]</td></tr> <tr><td>3 PLC</td><td>± -</td></tr> <tr><td>4 PLC</td><td>± -</td></tr> <tr><td>ANGLES</td><td>± -</td></tr> </table>		0 PLC	± -	1 PLC		± -	2 PLC	± 0.20 [0.008]	3 PLC	± -	4 PLC	± -	ANGLES	± -	PRODUCT SPEC	NAME	
0 PLC	± -																
1 PLC	± -																
2 PLC	± 0.20 [0.008]																
3 PLC	± -																
4 PLC	± -																
ANGLES	± -																
MATERIAL	4	FINISH	5	APPLICATION SPEC	SIZE	CAGE CODE	DRAWING NO	RESTRICTED TO									
				WEIGHT	A3	00779	C-132104										
CUSTOMER DRAWING				SCALE	2:1	SHEET	1 OF 1	REV B2									