



Chipsmall Limited consists of a professional team with an average of over 10 year of expertise in the distribution of electronic components. Based in Hongkong, we have already established firm and mutual-benefit business relationships with customers from,Europe,America and south Asia,supplying obsolete and hard-to-find components to meet their specific needs.

With the principle of “Quality Parts,Customers Priority,Honest Operation,and Considerate Service”,our business mainly focus on the distribution of electronic components. Line cards we deal with include Microchip,ALPS,ROHM,Xilinx,Pulse,ON,Everlight and Freescale. Main products comprise IC,Modules,Potentiometer,IC Socket,Relay,Connector.Our parts cover such applications as commercial,industrial, and automotives areas.

We are looking forward to setting up business relationship with you and hope to provide you with the best service and solution. Let us make a better world for our industry!



Contact us

Tel: +86-755-8981 8866 Fax: +86-755-8427 6832

Email & Skype: info@chipsmall.com Web: www.chipsmall.com

Address: A1208, Overseas Decoration Building, #122 Zhenhua RD., Futian, Shenzhen, China



4

3

2

1

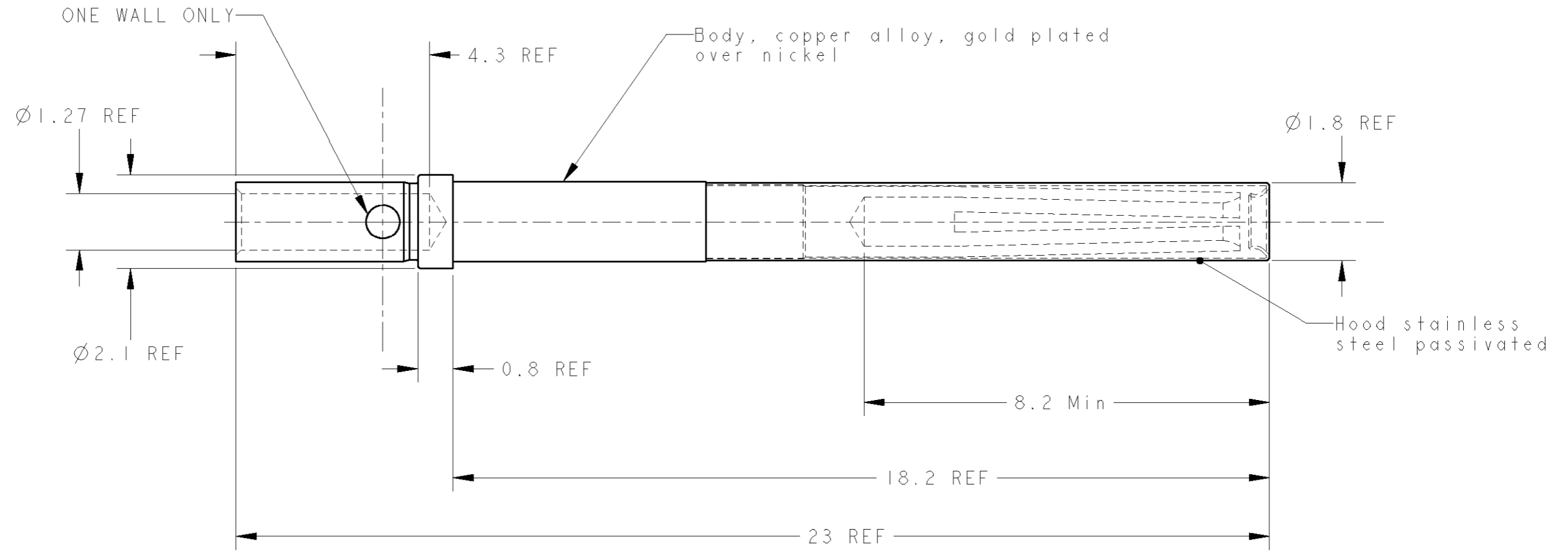
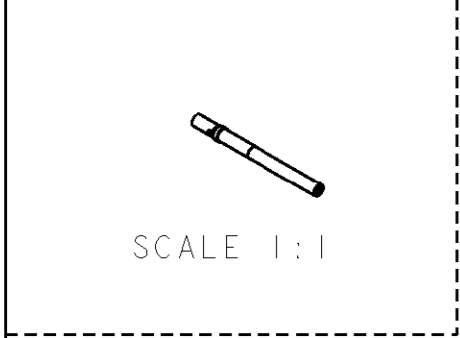
THIS DRAWING IS UNPUBLISHED.
 DIFFUSION RESTREINTE AMP

RELEASED FOR PUBLICATION
 LIBRE A LA DIFFUSION

20

© COPYRIGHT 20 BY TYCO ELECTRONICS CORPORATION. ALL RIGHTS RESERVED.
 TOUS DROITS RESERVES

LOC	DIST	REVISIONS			
P	LTR REV	DESCRIPTION MODIFICATIONS	DATE	DWN DESS.	APVD APP.
F	7	D	REDRAWN AND UPDATED	28JAN2004	J.D YP



TYCO P/N: 132155-1

Notes:

- FOR CONDUCTOR SECTION 0.93mm²- AWG18
 Pour conducteur section 0.93 mm²- AWG18
- CRIMPING HAND TOOL: MS3191-1 OR M22520/1-01
 LOCATOR M22520/1-02 IN POSITION 5
 Pince de sertissage MS3191-1 ou M22520/1-01
 Locator M22520/1-02 en position 5

<small>THIS DRAWING IS A CONTROLLED DOCUMENT FOR TYCO ELECTRONICS CORPORATION IT IS SUBJECT TO CHANGE AND THE CONTROLLING ENGINEERING ORGANIZATION SHOULD BE CONTACTED FOR THE LATEST REVISION. CE PLAN EST UN DOCUMENT CONTROLE PAR AMP INCORPORATED. IL EST SUSCEPTIBLE D'ETRE REVISE. CONTACTER LE SERVICE TECHNIQUE D'AMP DE FRANCE POUR OBTENIR LA DERNIERE REVISION.</small>		DWN/DESSINE 28JAN2004 J. DREUX CHK/VERIFIE 28JAN2004 Y. PETRONIN APVD/APPROUVE 28JAN2004 Y. PETRONIN		TYCO ELECTRONICS France SAS BP 39, 95301 CERGY-PONTOISE Cedex	
DIMENSIONS: mm		TOLERANCES UNLESS OTHERWISE SPECIFIED: TOLERANCES NON SPECIFIEES (SUIV NB DE DECIMALES): 0 PLC/DEC: ± 1 PLC/DEC: ± 2 PLC/DEC: ± 3 PLC/DEC: ± 4 PLC/DEC: ± ANGLES ±		NAME/TITRE SOCKET ASS'Y, SIZE 20, REAR RELEASE, TYPE XVII	
MATERIAL/MATIERE		FINISH/FINITION		APPLICATION SPEC SPEC. APPLICATION NOTE 2	
		WEIGHT/MASSE APPROX. -		SIZE FORMAT A3 CAGE CODE 00779 DRAWING NO No PLAN C=132155	
CUSTOMER DRAWING /PLAN CLIENT			UNIQUEMENT POUR REFERENCE		RESTRICTED TO RESERVE A -
			SCALE/ECHELLE 10:1		SHEET/FEUILLE OF/DE 1 REV D