



Chipsmall Limited consists of a professional team with an average of over 10 year of expertise in the distribution of electronic components. Based in Hongkong, we have already established firm and mutual-benefit business relationships with customers from,Europe,America and south Asia,supplying obsolete and hard-to-find components to meet their specific needs.

With the principle of “Quality Parts,Customers Priority,Honest Operation,and Considerate Service”,our business mainly focus on the distribution of electronic components. Line cards we deal with include Microchip,ALPS,ROHM,Xilinx,Pulse,ON,Everlight and Freescale. Main products comprise IC,Modules,Potentiometer,IC Socket,Relay,Connector.Our parts cover such applications as commercial,industrial, and automotives areas.

We are looking forward to setting up business relationship with you and hope to provide you with the best service and solution. Let us make a better world for our industry!



## Contact us

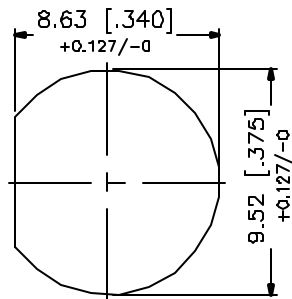
Tel: +86-755-8981 8866 Fax: +86-755-8427 6832

Email & Skype: info@chipsmall.com Web: www.chipsmall.com

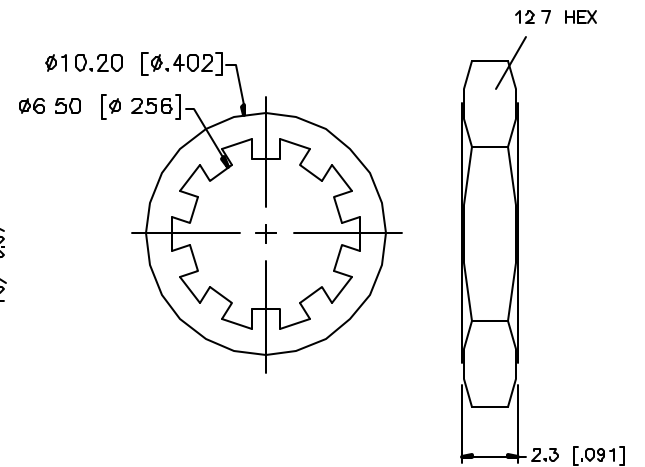
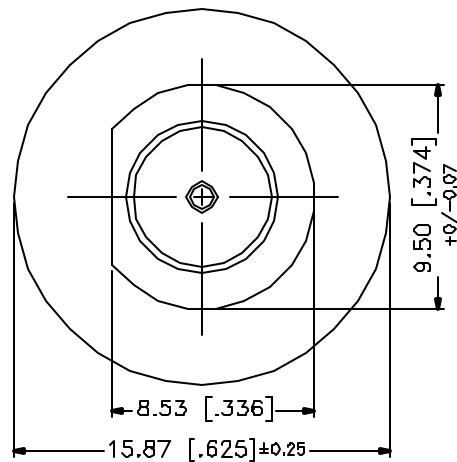
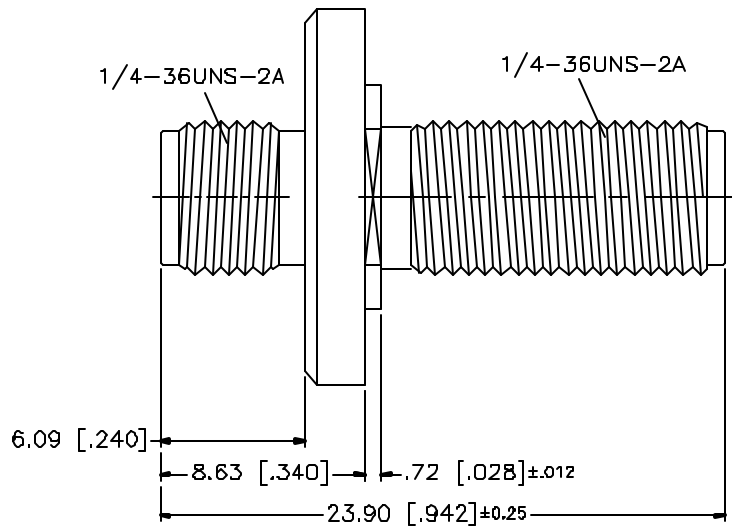
Address: A1208, Overseas Decoration Building, #122 Zhenhua RD., Futian, Shenzhen, China



REV.	DATE	DESCRIPTION
NC	11/11/01	INITIAL RELEASE




RECOMMENDED MOUNTING HOLE



NOTES:

1 MAX PANEL THICKNESS = 5mm

DESCRIPTION	MATERIAL	FINISH	UNLESS OTHERWISE SPECIFIED DIMENSIONS ARE IN MILLIMETERS	APPROVALS	DATE				
1 BODY	BRASS	GOLD	DIMENSIONS IN [ ] ARE IN INCHES FOR CUSTOMER REFERENCE ONLY  UNLESS OTHERWISE SPECIFIED TOLERANCES FOR MILLIMETERS ARE 0.5-6 = ± 0.2 6-30 = ± 0.4 30-120 = ± 0.6 120-315 = ± 1 315-1000 = ± 1.8 1000-2000 = ± 2.4	DRAWN G.R.S.	11/11/01	TITLE SMA BULKHEAD FEMALE TO FEMALE ADAPTOR			
2 INSULATOR	TEFLON	NATURAL		CHECKED		SIZE A	FSCM NO. 99001	DWG. NO. 132170-11.DWG	REV. NC
3 CONTACT PIN	BER. COPPER	GOLD		ISSUED		SCALE NA	PART NO. 132170-11	SHEET 1 OF 1	
4 LOCK WASHER	BRASS	GOLD							
5 HEX NUT	BRASS	GOLD							
6									
7									
8				DO NOT SCALE DRAWING					