



Chipsmall Limited consists of a professional team with an average of over 10 year of expertise in the distribution of electronic components. Based in Hongkong, we have already established firm and mutual-benefit business relationships with customers from,Europe,America and south Asia,supplying obsolete and hard-to-find components to meet their specific needs.

With the principle of “Quality Parts,Customers Priority,Honest Operation,and Considerate Service”,our business mainly focus on the distribution of electronic components. Line cards we deal with include Microchip,ALPS,ROHM,Xilinx,Pulse,ON,Everlight and Freescale. Main products comprise IC,Modules,Potentiometer,IC Socket,Relay,Connector.Our parts cover such applications as commercial,industrial, and automotives areas.

We are looking forward to setting up business relationship with you and hope to provide you with the best service and solution. Let us make a better world for our industry!



Contact us

Tel: +86-755-8981 8866 Fax: +86-755-8427 6832

Email & Skype: info@chipsmall.com Web: www.chipsmall.com

Address: A1208, Overseas Decoration Building, #122 Zhenhua RD., Futian, Shenzhen, China



NOTES:

1. MATERIAL AND FINISHES:
 BODY - BRASS, GOLD PLATING
 CONTACT - BRASS, GOLD PLATING
 SHELL - BRASS, GOLD PLATING
 INSULATOR - PTFE, NATURAL
 RESISTOR - 100 OHM, 0.1 WATT, 1%

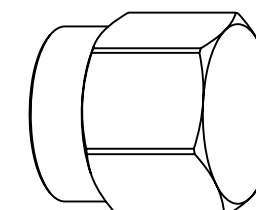
2. ELECTRICAL:
 A. IMPEDANCE: 50 OHM
 B. FREQUENCY RANGE: 0-18 GHz.
 C. VSWR (RETURN LOSS): 1.3 MAX.
 D. POWER RATING: 2 WATT

3. MECHANICAL:
 A. DURABILITY: 500 CYCLES MIN.
 B. TEMPERATURE RANGE: -65°C TO +165°C

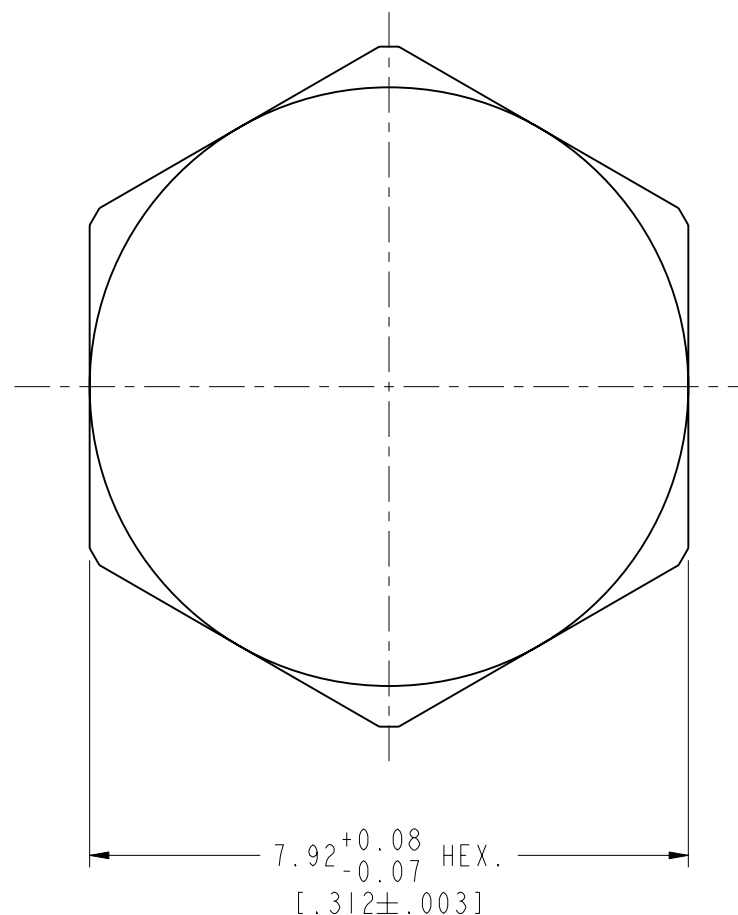
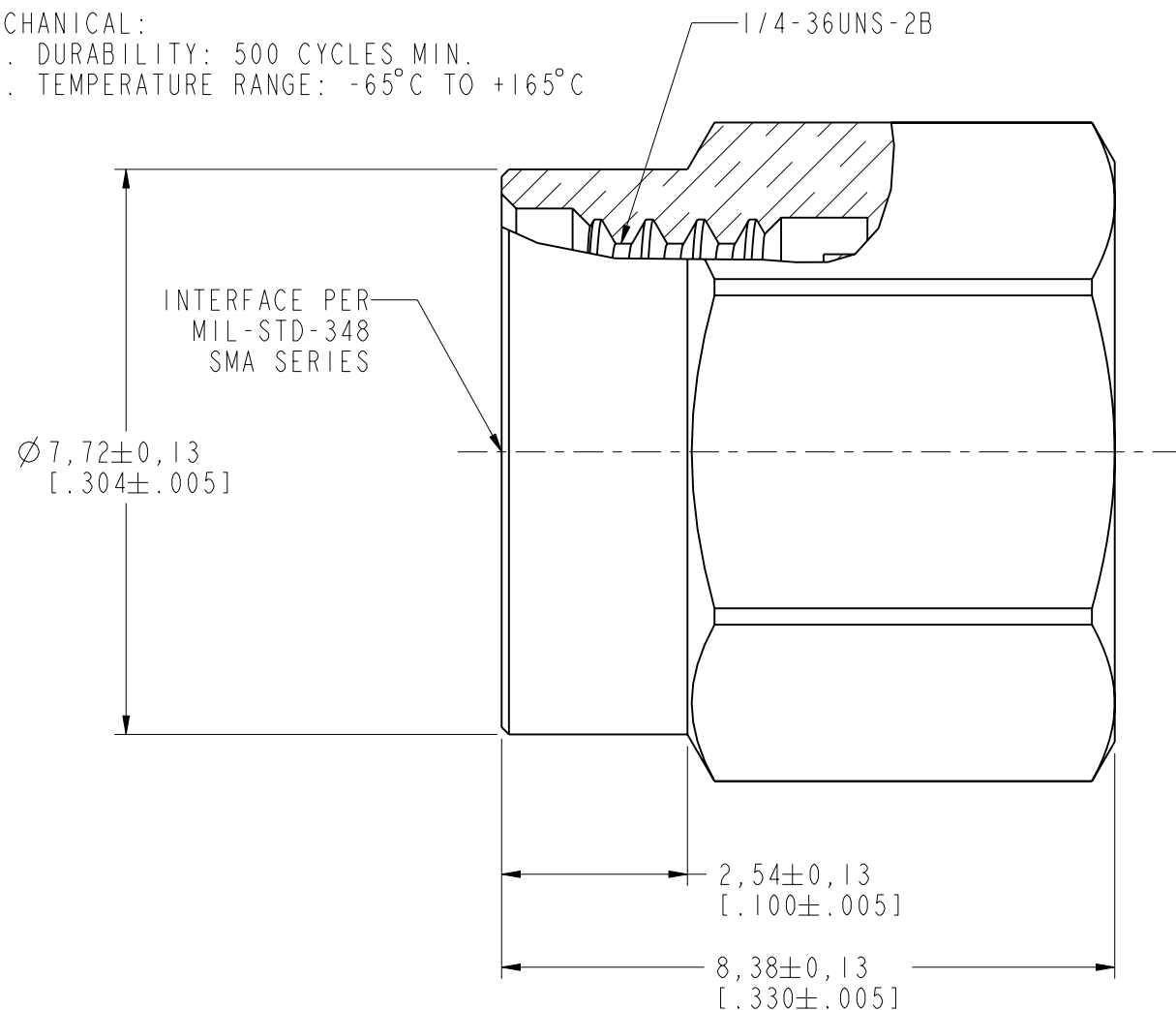
THIRD ANGLE PROJ.

REVISIONS

| REV | DESCRIPTION | DATE | ECO | APPR |
|-----|--|-----------|-------|------|
| NC | INITIAL RELEASE | 10-Nov-03 | ----- | GRS |
| A | UPDATE RESISTOR WATTAGE | 15-Jan-05 | ----- | GRS |
| B | UPDATE THE RESISTOR'S DESCRIPTION | 06-Oct-11 | 2236 | MZ |
| C | THE DESIGN WAS CHANGED | 30-Apr-12 | 2307 | MZ |
| D | ADD RL AND POWER RATING SPECS PER CUSTOMER REQUEST | 15-Jul-14 | 2768 | MZ |



SCALE 3.000



CUSTOMER OUTLINE DRAWING

ALL OTHER SHEETS ARE FOR INTERNAL USE ONLY

| | | | | | |
|---|--------------------------------------|----------------------|-------------------|---|--------------------|
| UNLESS OTHERWISE SPECIFIED, DIMENSIONS ARE IN METRIC AND TOLERANCES ARE: <0.5mm ± 0.05mm 0.5 - 6mm ± 0.1mm 6 - 30mm ± 0.2mm 30 - 120mm ± 0.3mm ANGLES ± 1° | MATERIAL | DRAWN M. ZHANG | DATE 15-Jul-14 | TITLE SMA TERMINATOR PLUG (50 OHMS) | Amphenol Connex |
| | REFERENCE SMA1005A4-001-3GT5GP-50 | ENGINEER S. LI | DATE 15-Jul-14 | | |
| NOTICE - These drawings, specifications, or other data (1) are, and remain the property of Amphenol corp. (2) must be returned upon request; and (3) are confidential and not to be disclosed to any person other than those to whom they are given by Amphenol Corp. the furnishing of these drawings, specifications, or other data by Amphenol Corp., or to any other person to anyone for any purpose is not to be regarded by implication or otherwise in any manner licensing, granting rights to permitting such holder or any other person to manufacture, use or sell any product, process or design, patented or otherwise, that may in any way be related to or disclosed by said drawings, specifications, or other data. | CONFIGURATION LEVEL: | APPROVED S. HSIEH | DATE 15-Jul-14 | SCALE: 10.0:1.0 SHEET 3 OF 3 | ITEM NO. |
| | FINISH | CAD FILE | DWG SIZE B | REV D | PART NO. 132360 |