



Chipsmall Limited consists of a professional team with an average of over 10 year of expertise in the distribution of electronic components. Based in Hongkong, we have already established firm and mutual-benefit business relationships with customers from,Europe,America and south Asia,supplying obsolete and hard-to-find components to meet their specific needs.

With the principle of “Quality Parts,Customers Priority,Honest Operation,and Considerate Service”,our business mainly focus on the distribution of electronic components. Line cards we deal with include Microchip,ALPS,ROHM,Xilinx,Pulse,ON,Everlight and Freescale. Main products comprise IC,Modules,Potentiometer,IC Socket,Relay,Connector.Our parts cover such applications as commercial,industrial, and automotives areas.

We are looking forward to setting up business relationship with you and hope to provide you with the best service and solution. Let us make a better world for our industry!



Contact us

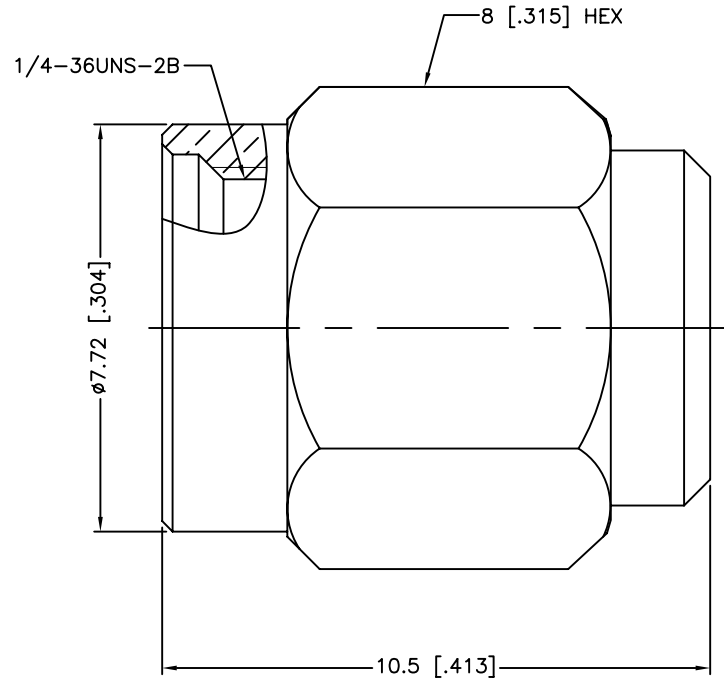
Tel: +86-755-8981 8866 Fax: +86-755-8427 6832

Email & Skype: info@chipsmall.com Web: www.chipsmall.com

Address: A1208, Overseas Decoration Building, #122 Zhenhua RD., Futian, Shenzhen, China



REV.	DATE	ECR NO.	DESCRIPTION
NC	10/24/10	XXXXXX	INITIAL RELEASE
A	10/06/11	2236	UPDATE THE RESISTOR'S DESCRIPTION



1. IMPEDANCE:50 OHM
2. FREQUENCY RANGE: 0-18 GHz.
3. DURABILITY:500 CYCLES MIN.

<small>UNLESS OTHERWISE SPECIFIED DIMENSIONS ARE IN MILLIMETERS. DIMENSIONS IN [] ARE IN INCHES AND FOR CUSTOMER REFERENCE ONLY.</small> <small>UNLESS OTHERWISE SPECIFIED TOLERANCES FOR MILLIMETERS ARE: 0.5 - 8mm ± 0.20mm 8 - 30mm ± 0.40mm 30 - 120mm ± 0.50mm</small> <small>UNLESS OTHERWISE SPECIFIED TOLERANCES FOR INCHES ARE: .020 - .315 = ± 0.007" .315 - 1.180 = ± 0.015" 1.180 - 4.724 = ± 0.020"</small>				APPROVALS		DATE		<h1 style="color: blue;">Amphenol Connex</h1>			
				DRAWN M.ZHANG		10/06/11					
6 RESISTOR 100 OHM, 0.1 WATT, 1% 2				CHECKED				REVERSE POLARITY SMA TERMINATOR PLUG (FOR 50 OHMS)			
5 CONTACT PIN BERYLLIUM COPPER GOLD 1				ISSUED							
4 INSULATOR PTFE NATURAL 1				SHEET 1 OF 1				132360RP			
3 GASKET SILICON RUBBER RED 1				CAD FILE		C:/CONNEX/132360RP.DWG					
2 BODY BRASS GOLD 1				DWG. NO.		132360RP.DWG		REV. A	SIZE A	SCALE NA	
1 SHELL BRASS GOLD 1				DO NOT SCALE DRAWING							
DESCRIPTION		MATERIAL		FINISH		QTY					