



Chipsmall Limited consists of a professional team with an average of over 10 year of expertise in the distribution of electronic components. Based in Hongkong, we have already established firm and mutual-benefit business relationships with customers from,Europe,America and south Asia,supplying obsolete and hard-to-find components to meet their specific needs.

With the principle of “Quality Parts,Customers Priority,Honest Operation,and Considerate Service”,our business mainly focus on the distribution of electronic components. Line cards we deal with include Microchip,ALPS,ROHM,Xilinx,Pulse,ON,Everlight and Freescale. Main products comprise IC,Modules,Potentiometer,IC Socket,Relay,Connector.Our parts cover such applications as commercial,industrial, and automotives areas.

We are looking forward to setting up business relationship with you and hope to provide you with the best service and solution. Let us make a better world for our industry!



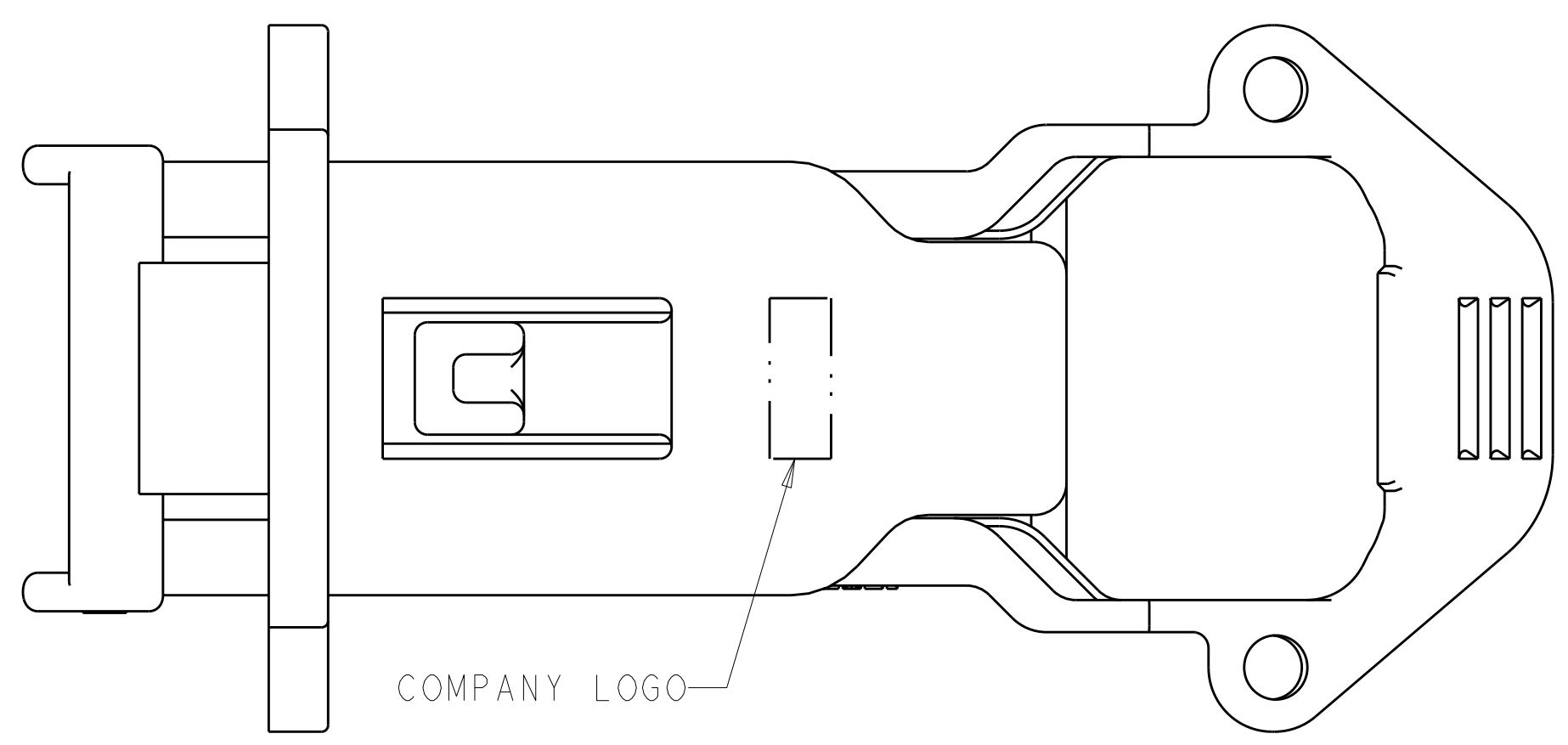
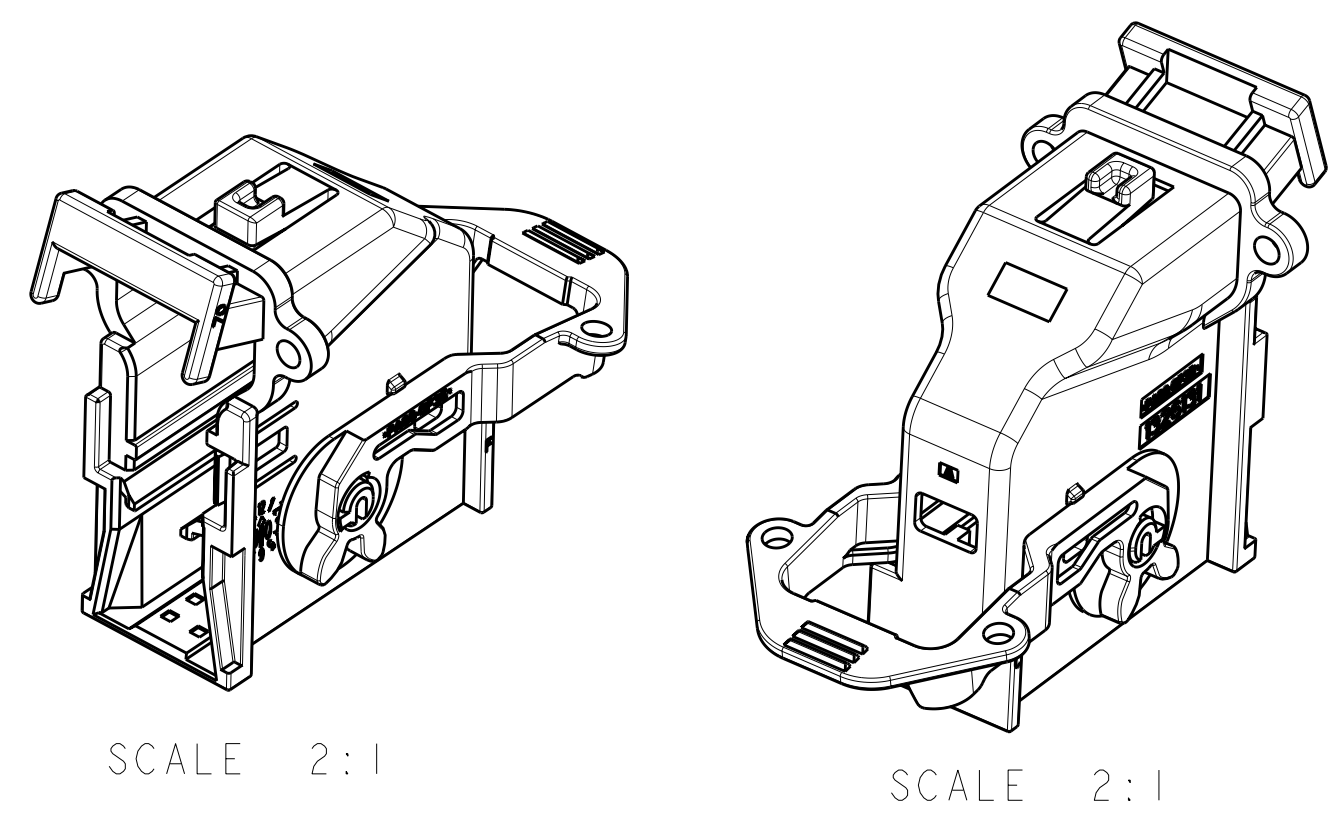
Contact us

Tel: +86-755-8981 8866 Fax: +86-755-8427 6832

Email & Skype: info@chipsmall.com Web: www.chipsmall.com

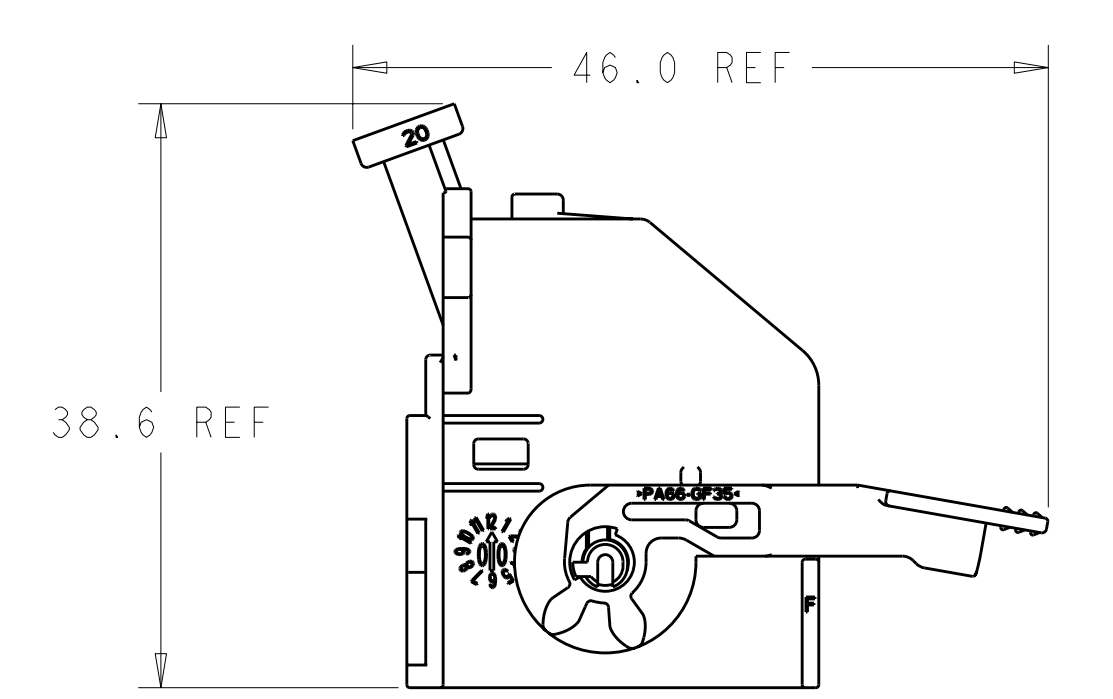
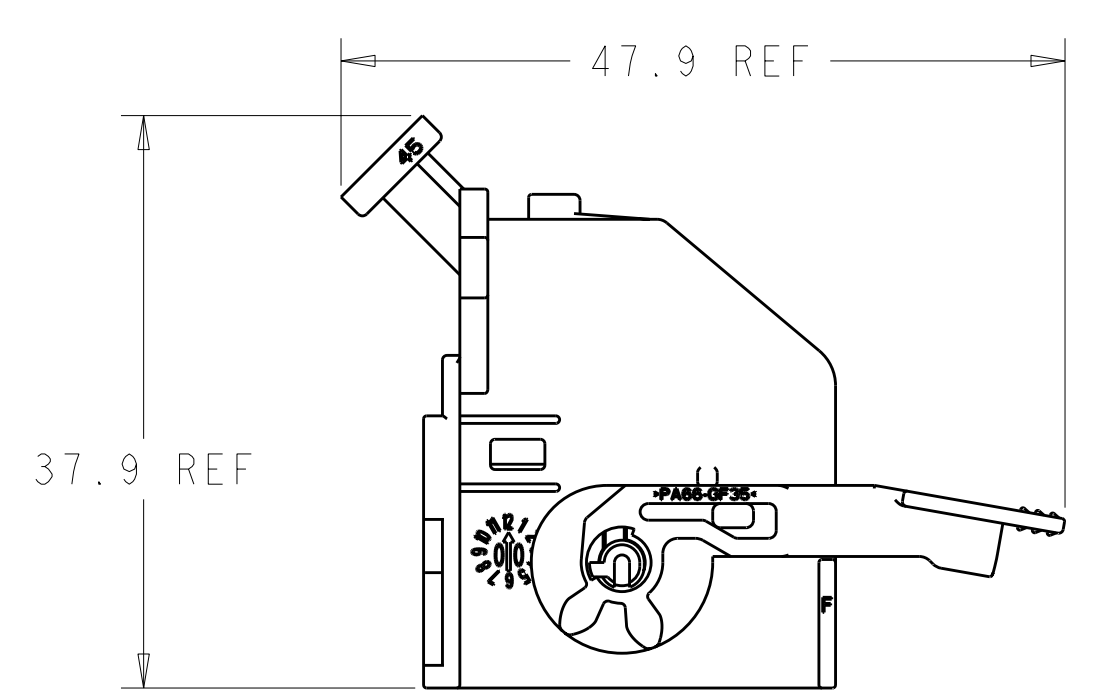
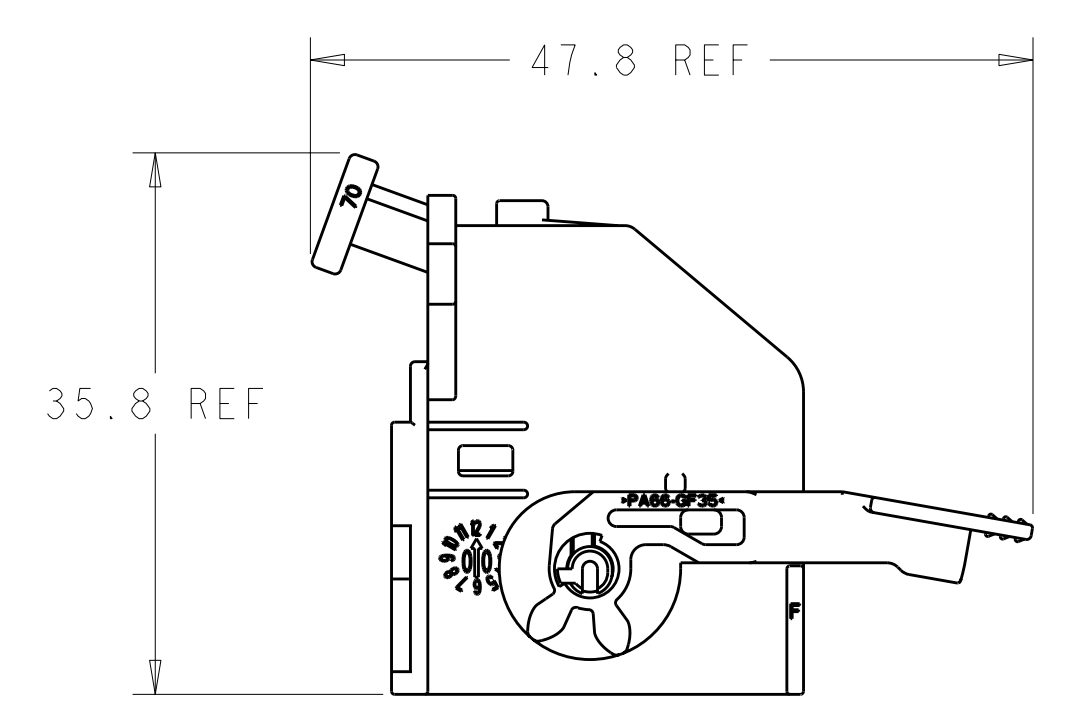
Address: A1208, Overseas Decoration Building, #122 Zhenhua RD., Futian, Shenzhen, China





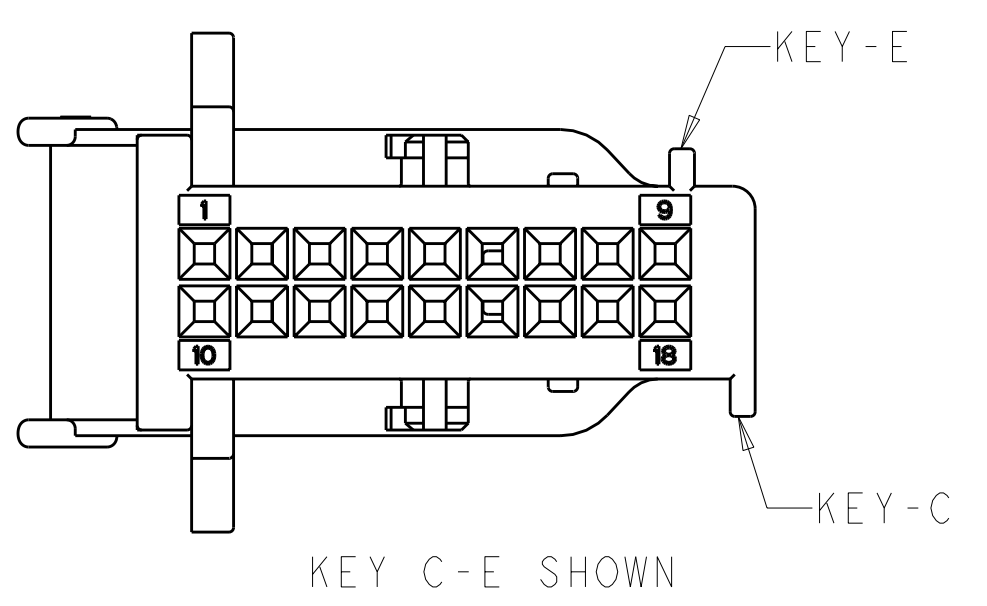
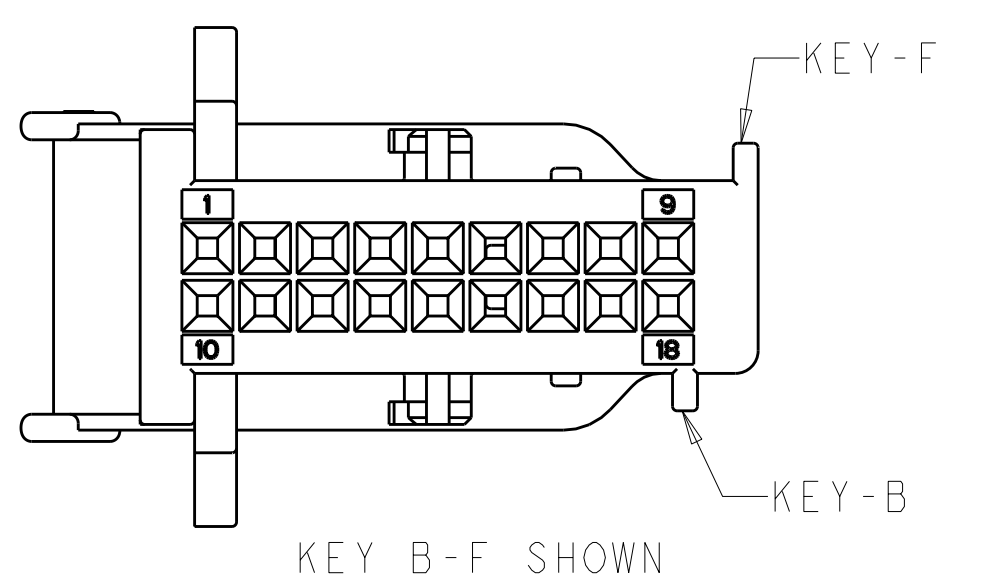
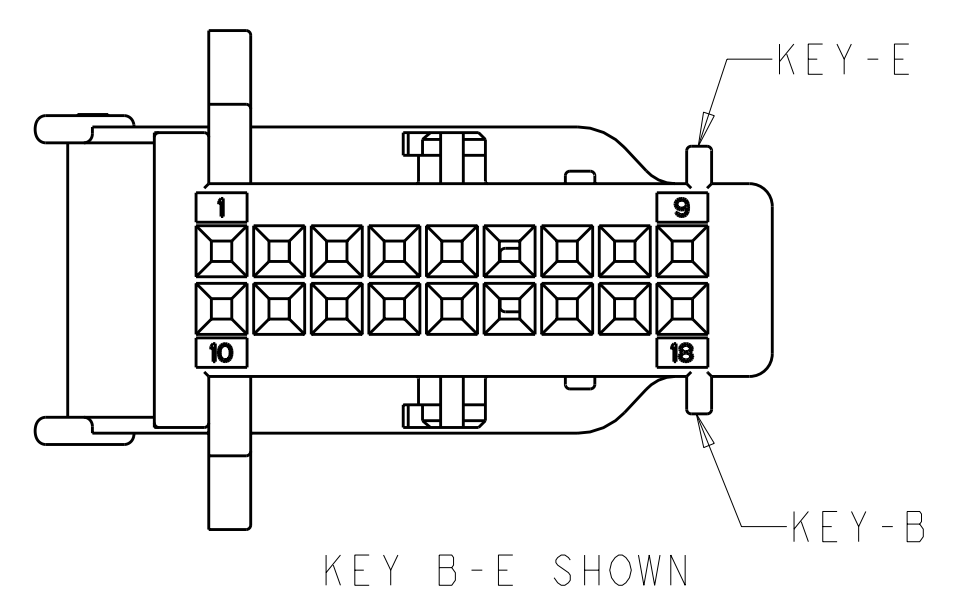
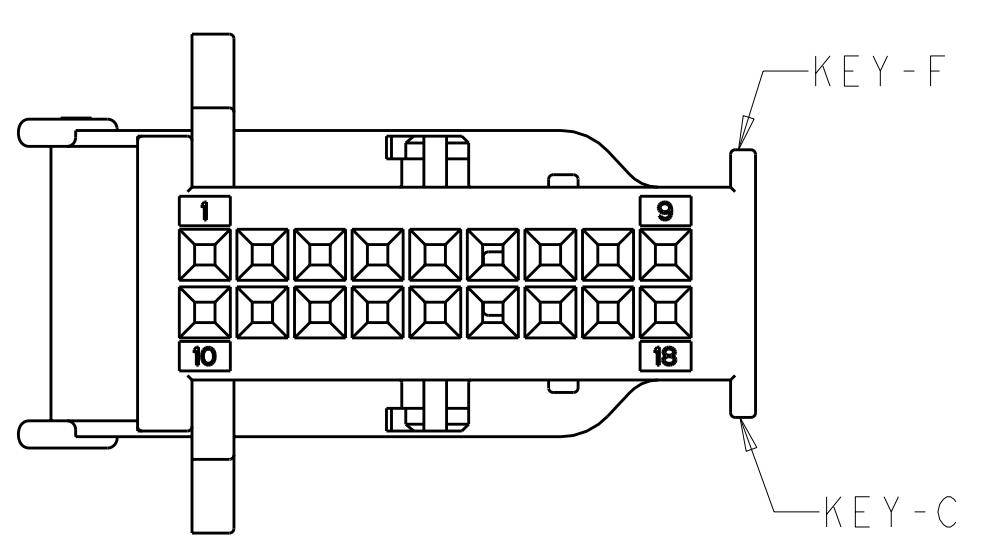
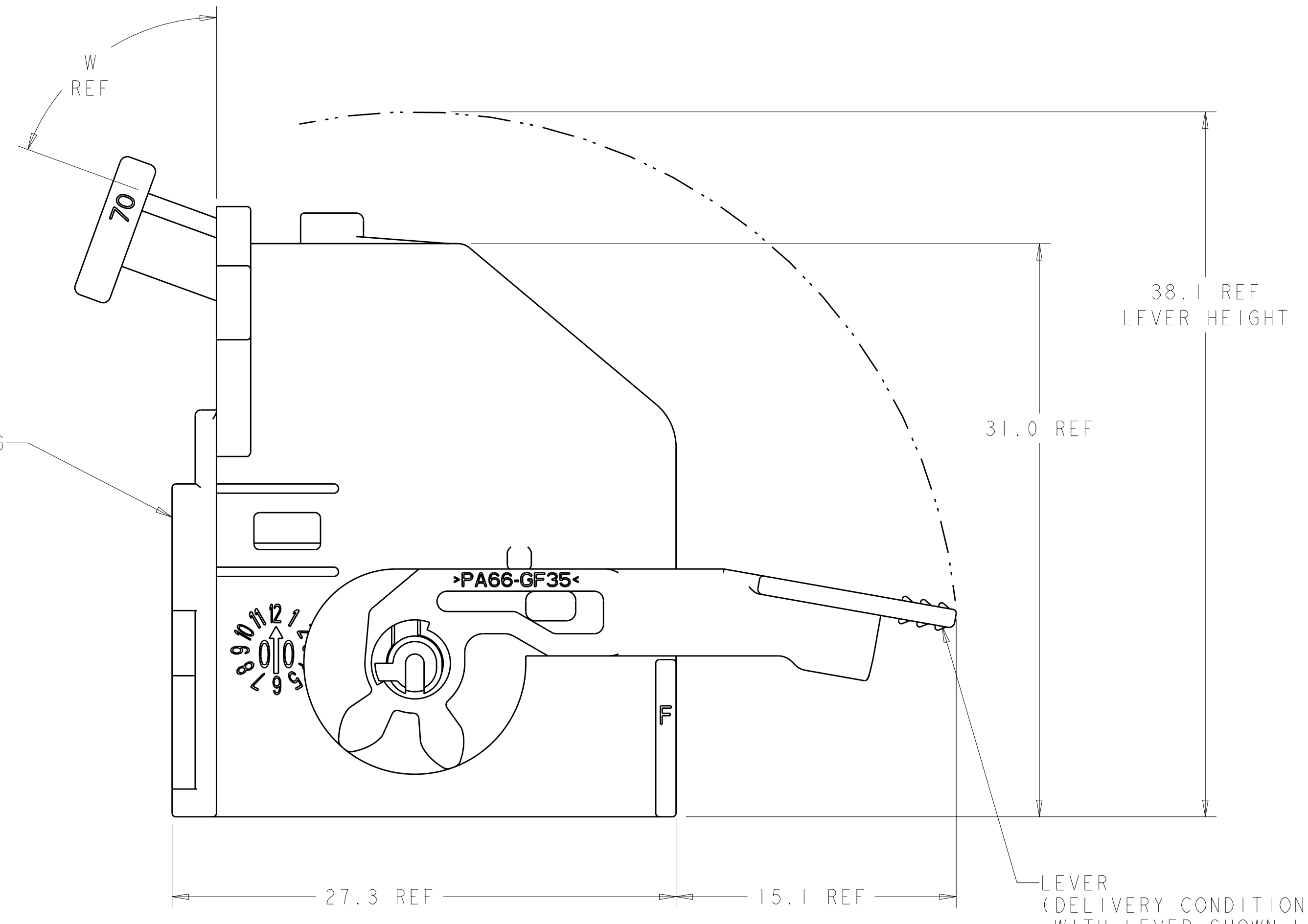
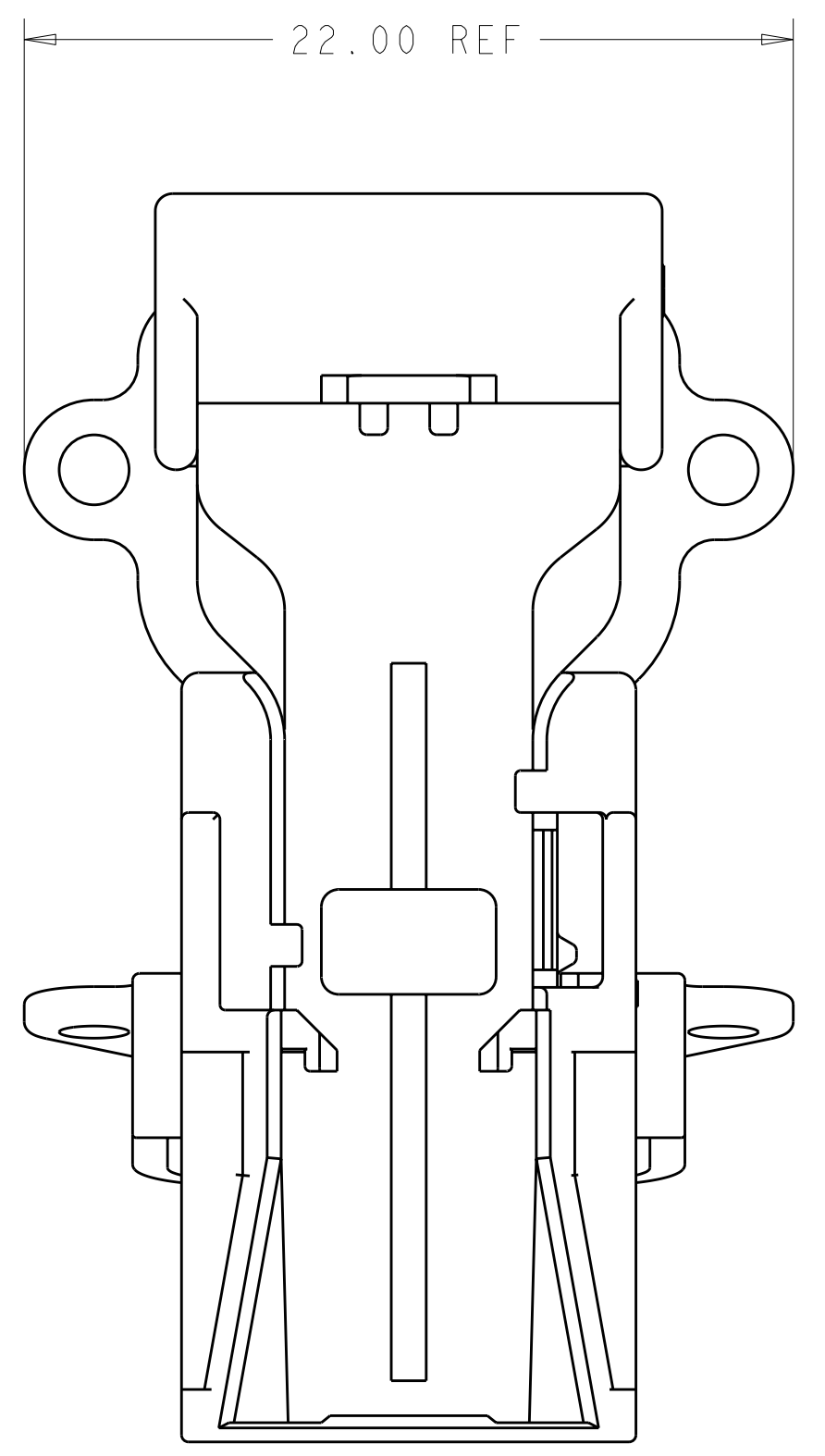
- NOTE:
- 1. MATERIAL: SHIELD - 35% GLASS REINFORCED NYLON. SEE TABLE BELOW FOR COLOR. LEVER - 35% GLASS REINFORCED NYLON. COLOR GREY.
 - 2. REFERENCE: RECEPTACLE HOUSING, 1326133-1 USED WITH THIS ASSEMBLY.
 - 3. REFER TO INSTRUCTION SHEET 408-8662 FOR PRODUCT ASSEMBLY AND DISASSEMBLY PROCEDURES.
 - 4. REFER TO USCAR-2 REV 3 APRIL 2001 FOR PRODUCT SPECIFICATIONS.
 - 5. REFER TO DRAWING NO. AUAUT00000-2962-0536 FOR INTERFACE DETAILS.

LOC	DIST	REVISIONS			
FX	00	REV	DATE	BY	CHKD
		0	01JAN03	SPT	AME
		A	08JUL2003	RGV	AME
		A1	28MAY2010	VSS	CS



**WIRE EXIT OPTIONS
REFERENCE ONLY**

DIM-W	COLOR	KEYING OPT.	PART NO.
20°	GREEN	C-E	I-1326132-2
20°	PURPLE	B-F	I-1326132-1
20°	NATURAL	B-E	I-1326132-0
20°	BLACK	C-F	I326132-9
45°	GREEN	C-E	I326132-8
45°	PURPLE	B-F	I326132-7
45°	NATURAL	B-E	I326132-6
45°	BLACK	C-F	I326132-5
70°	GREEN	C-E	I326132-4
70°	PURPLE	B-F	I326132-3
70°	NATURAL	B-E	I326132-2
70°	BLACK	C-F	I326132-1

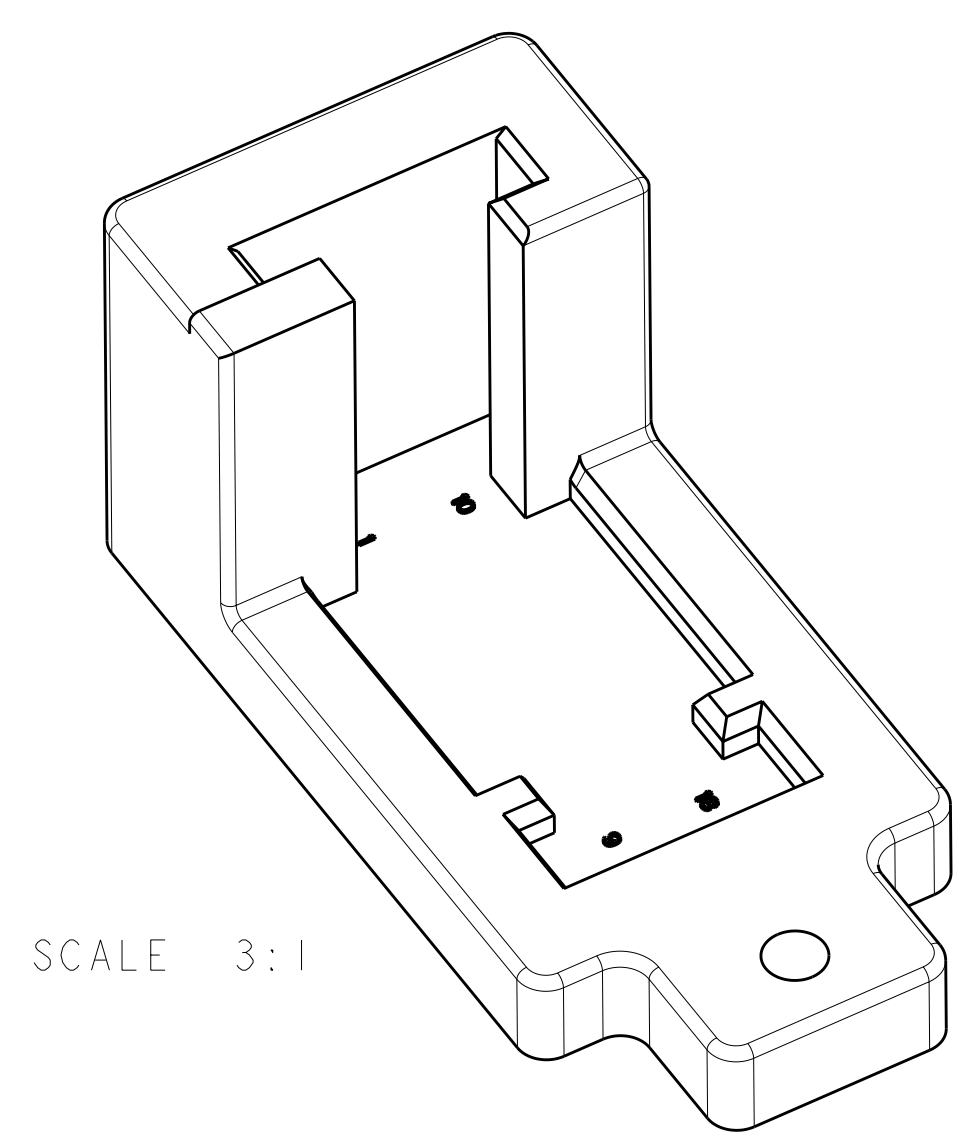
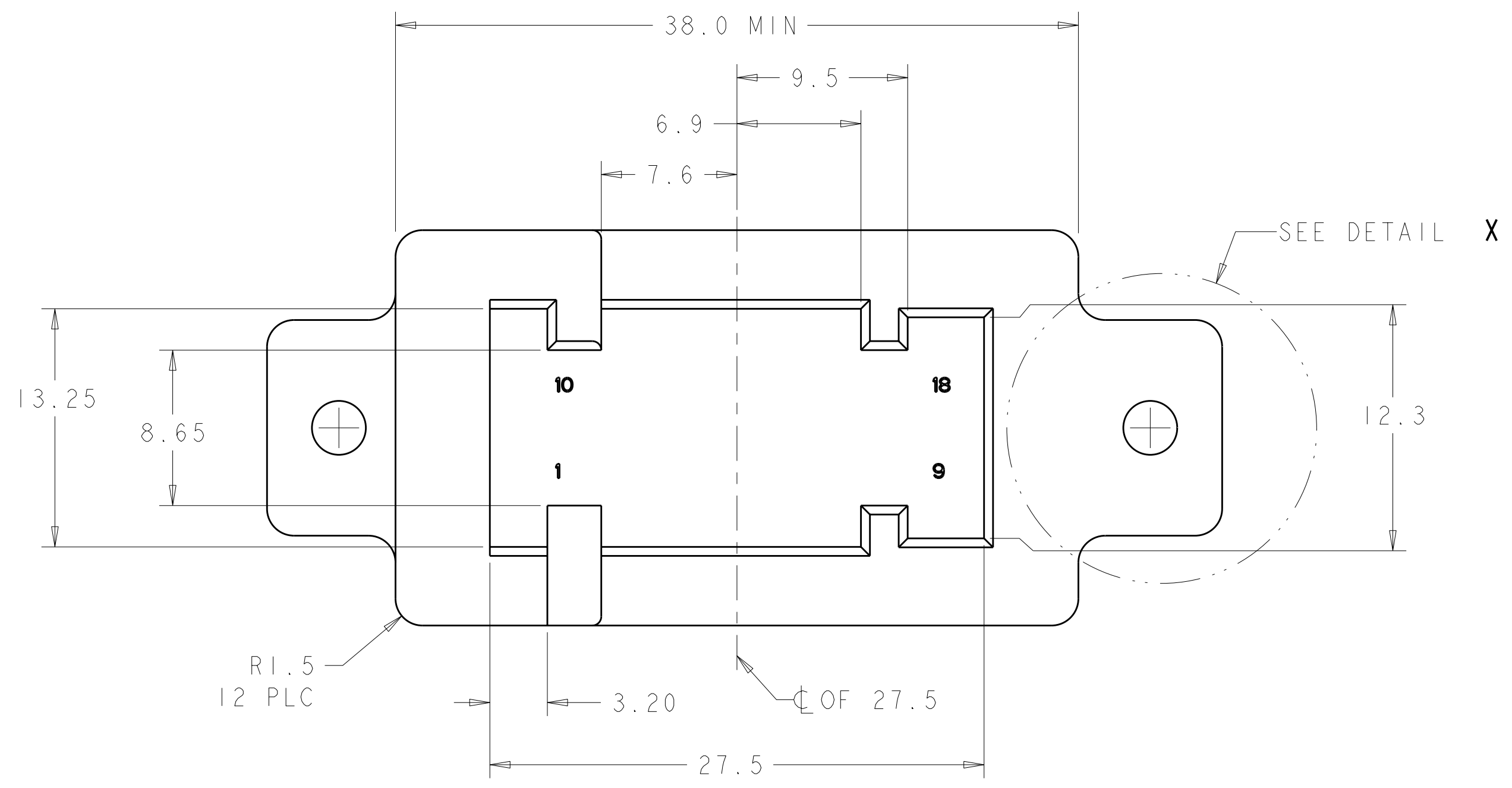


**KEYING OPTIONS
REFERENCE ONLY**

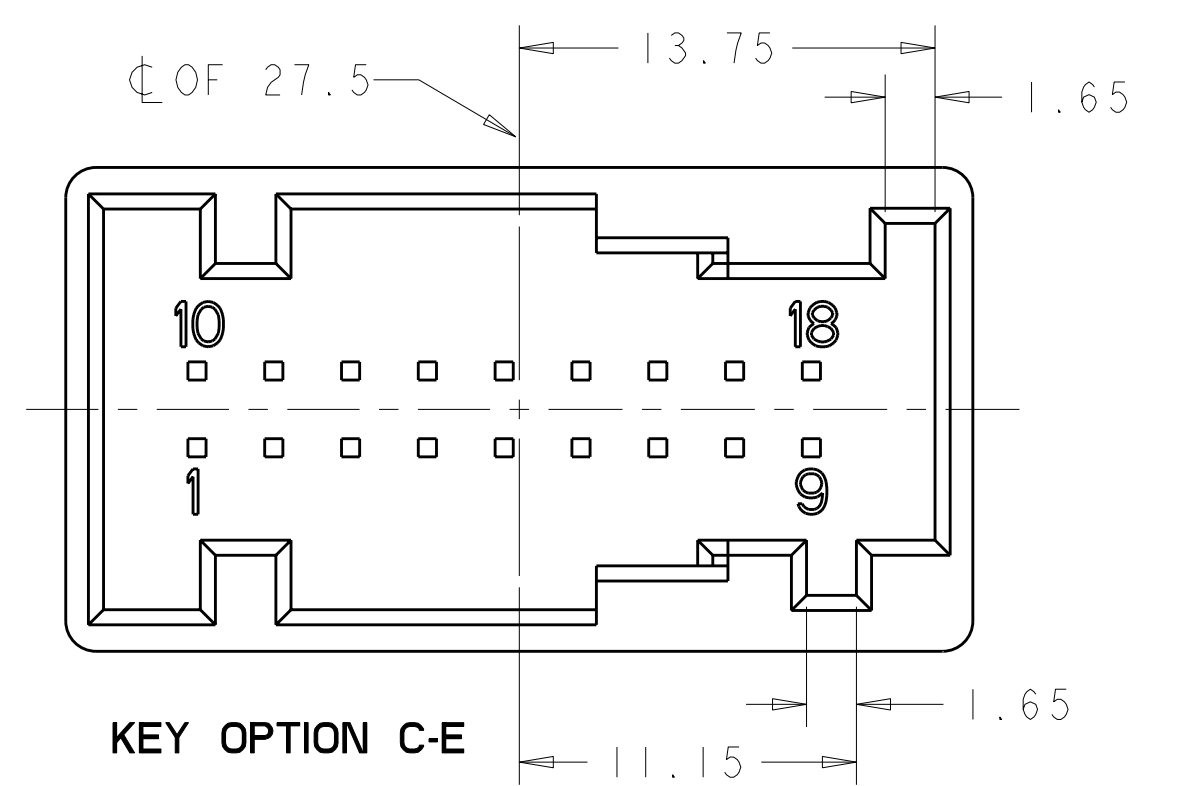
DIMENSIONS: mm TOLERANCES UNLESS OTHERWISE SPECIFIED: 9 PLC ±.1 1 PLC ±0.1 3 PLC ±0.05 4 PLC ±.1 ANGLES ±°		DIM-W COLOR KEYING OPT. PART NO.	
MATERIAL: - FINISH: -		DWN: C. CHAVEZ 04APR2002 CHK: S. TPBEY 04APR2002 APVD: - NAME: SHIELD ASSEMBLY, 18 POSITION, 0.64MM LEVER ASSIST CONNECTOR SIZE: A1 CAGE CODE: 00779 DRAWING NO: I-1326132 RESTRICTED TO: - CUSTOMER DRAWING: -	
AMP 4805 REV 31MAR2000 Pro/ENGINEER DRAWING		Tyco Electronics Harrisburg, PA 17105-3608 SCALE: 4:1 SHEET 1 OF 2 REV A1	

LOC	DIST	REV	DATE	BY	APPD
FX	00				

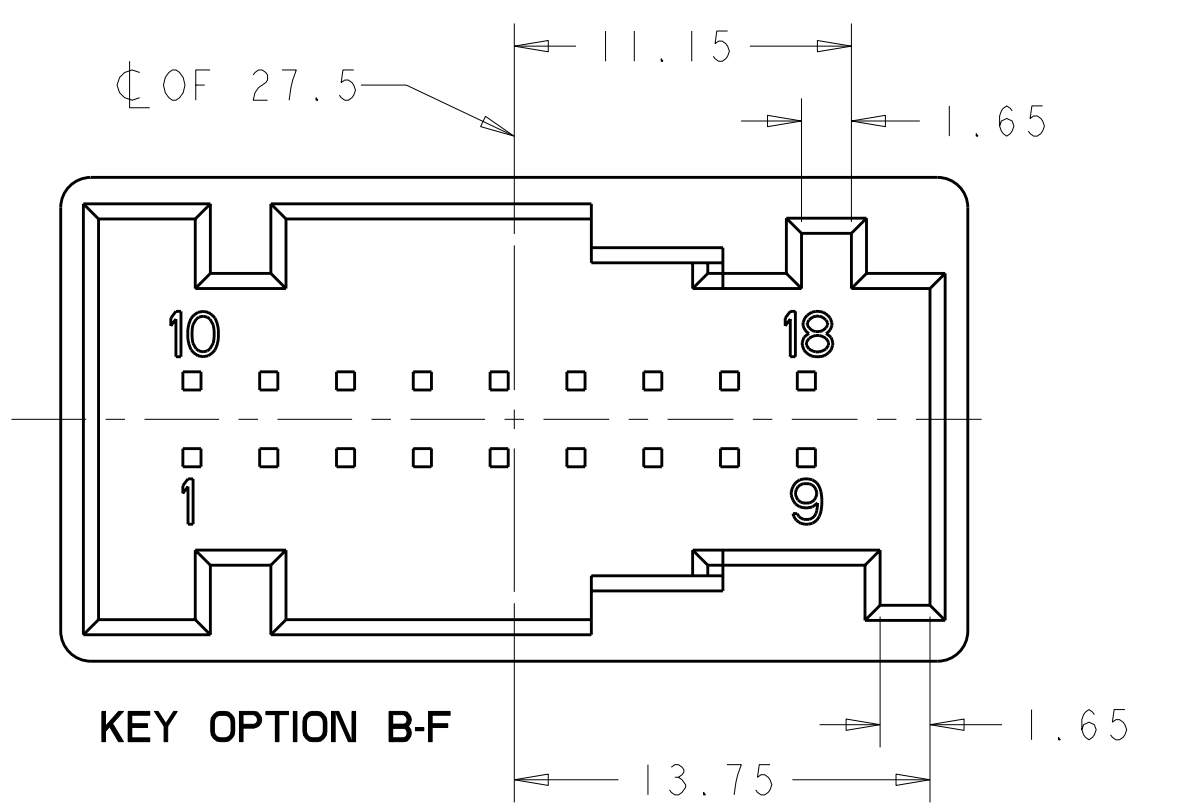
REVISIONS			
DESCRIPTION	DATE	BY	APPD
SEE SHEET 1			



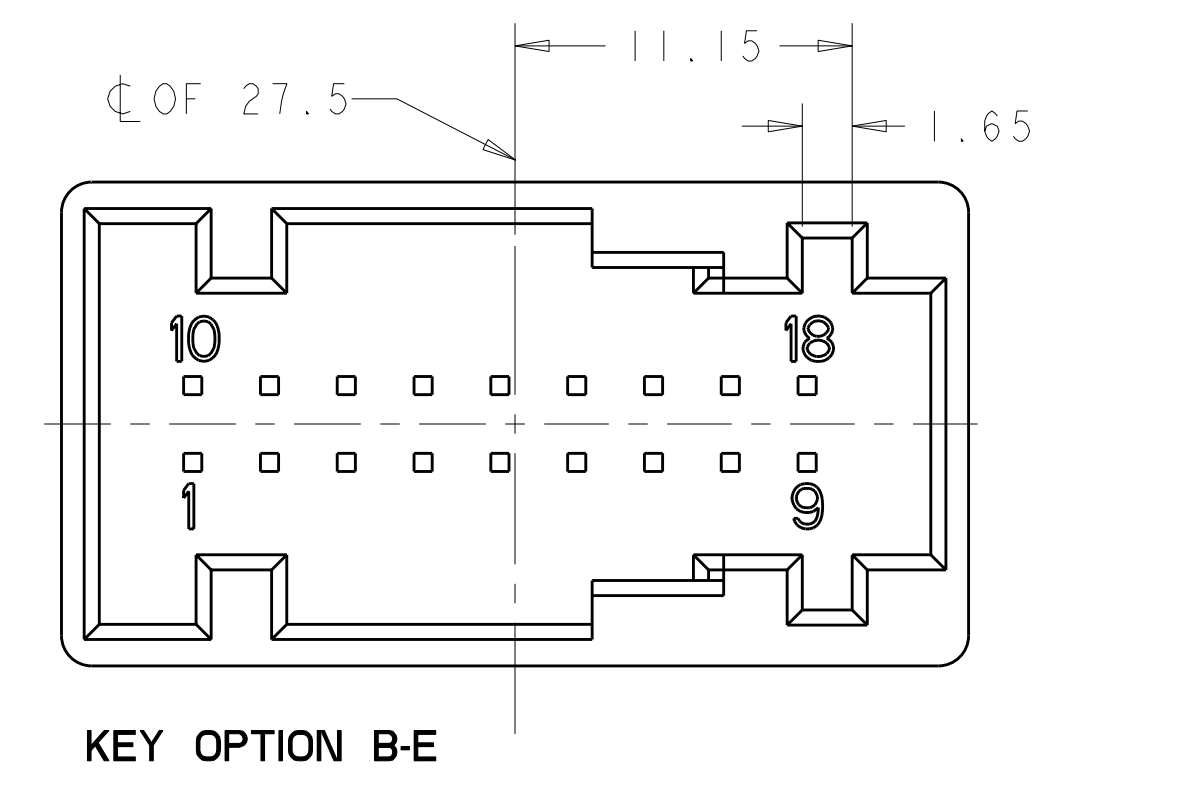
SCALE 3:1



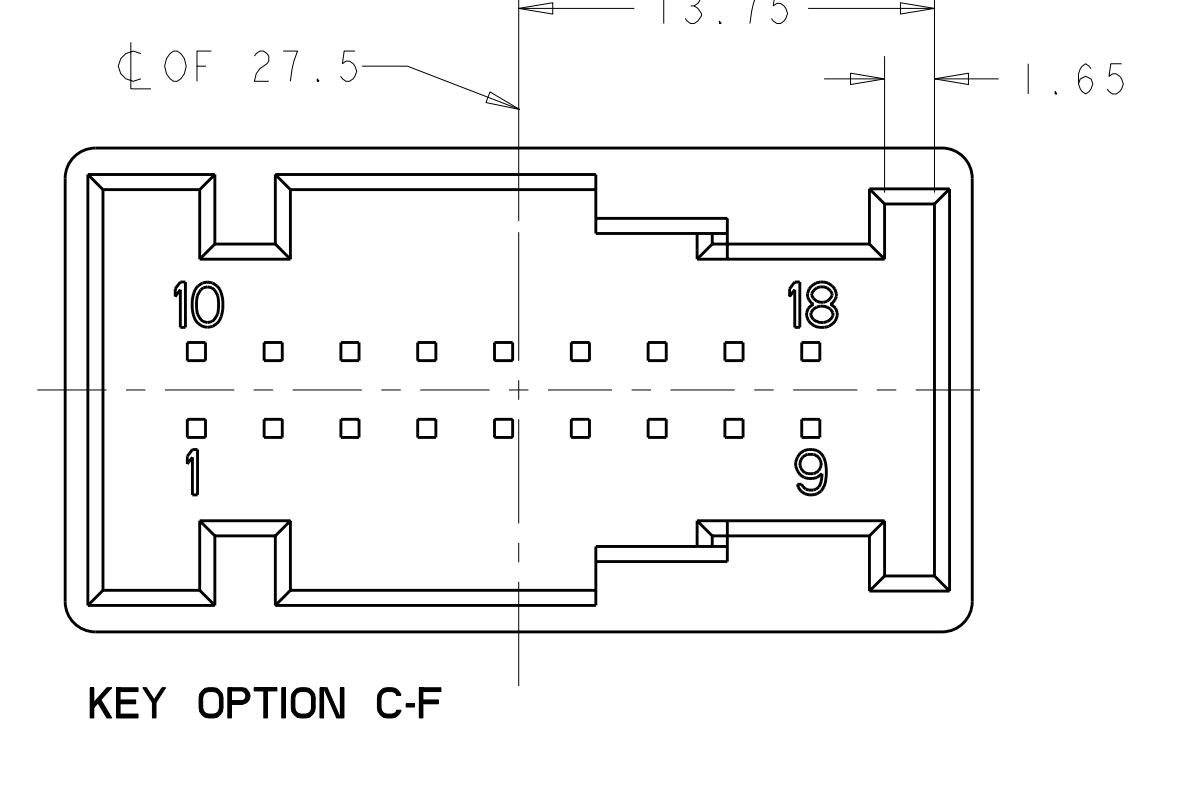
KEY OPTION C-E



KEY OPTION B-F

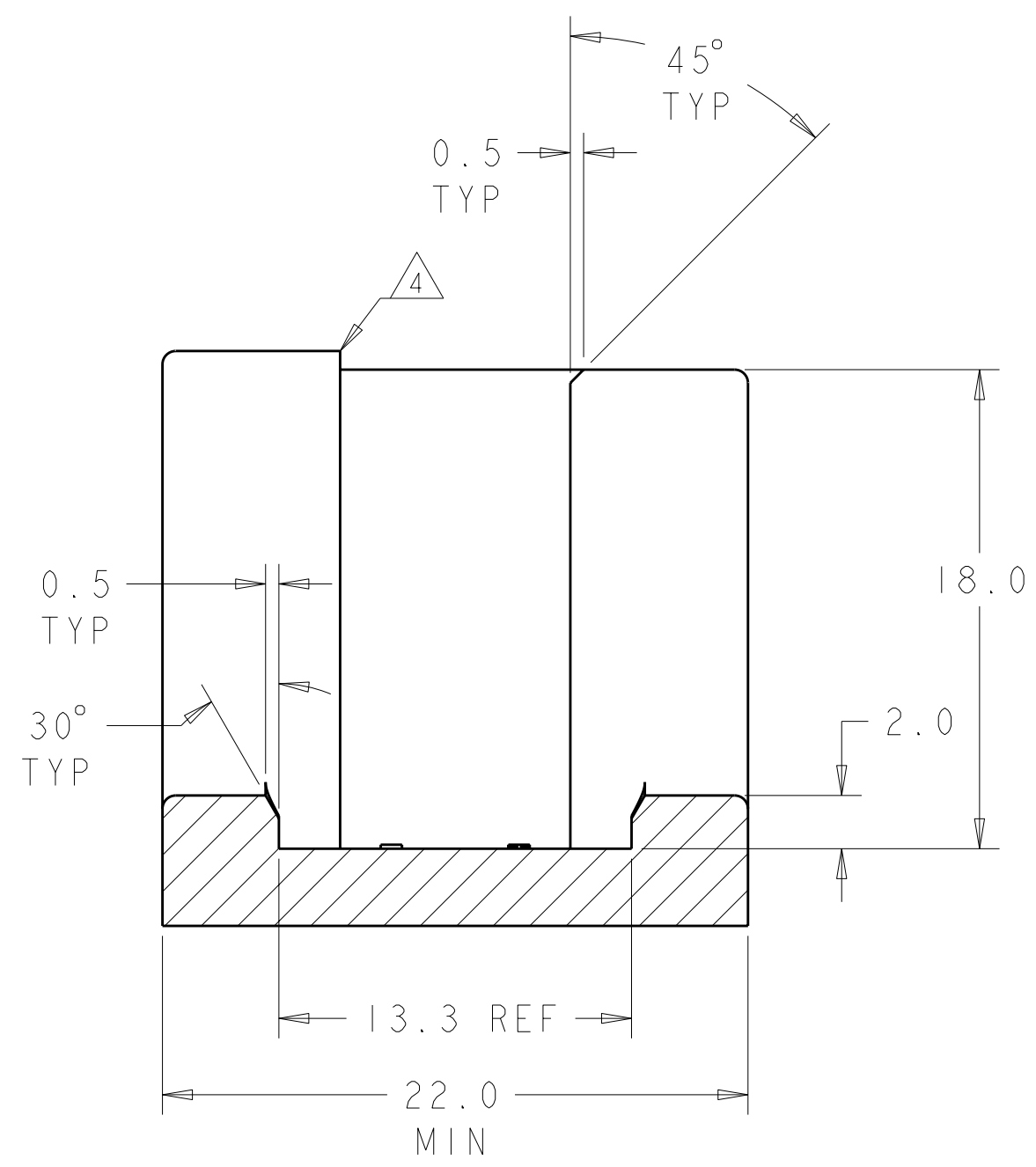
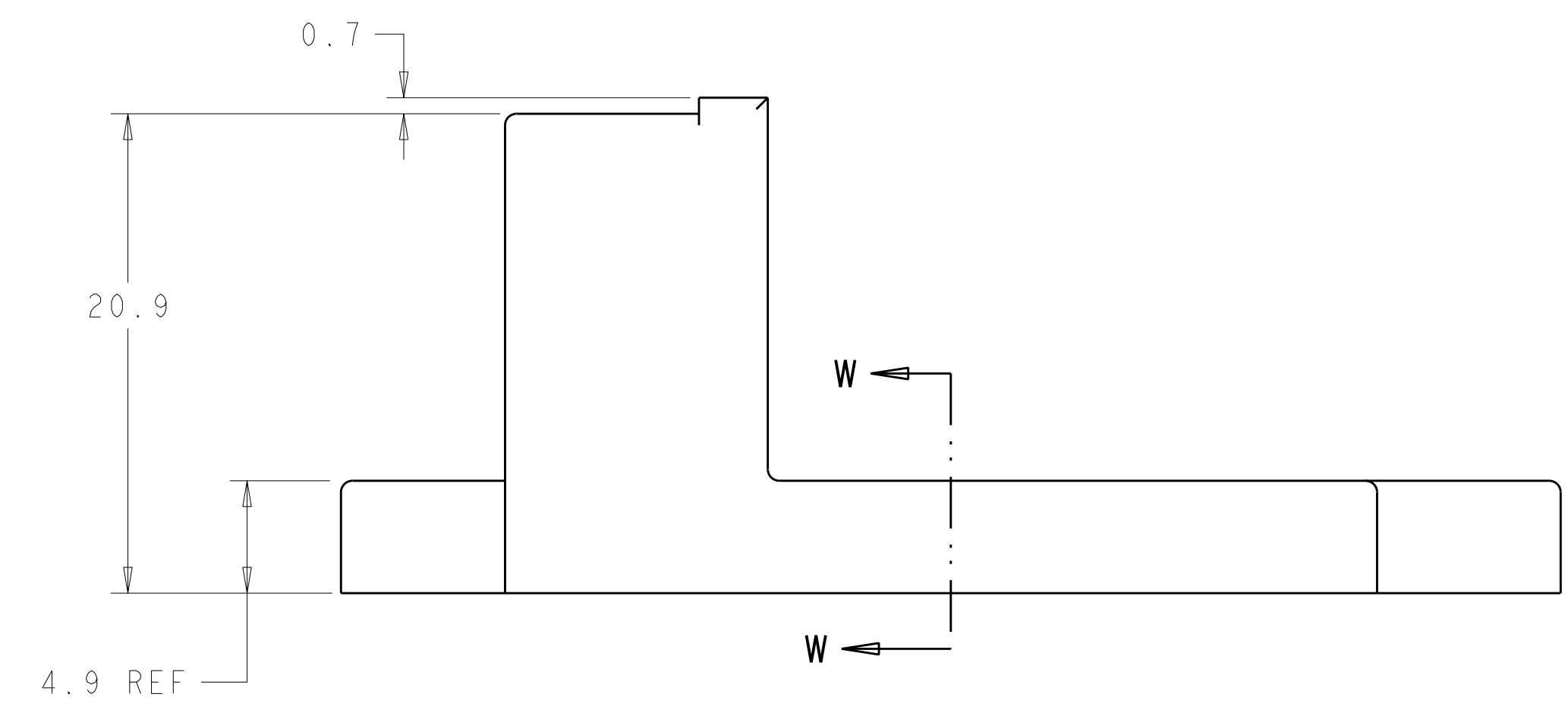


KEY OPTION B-E

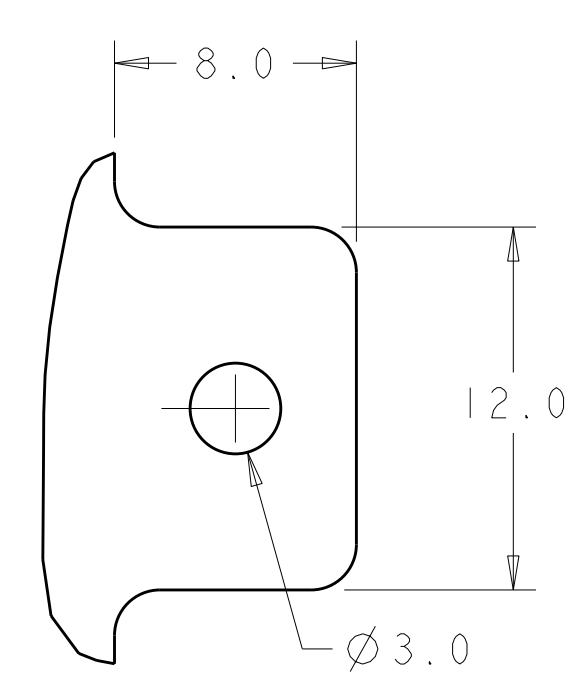


KEY OPTION C-F

KEYING OPTIONS



SECTION W-W



DETAIL X
SCALE 4:1

18 POSITION CONNECTOR FIXTURE
 (SHOWN WITH CLEARANCE FOR ALL KEY OPTIONS)

- CONNECTOR FIXTURE SHOULD BE USED TO VERIFY THE RECEPTACLE CARRIER IS PROPERLY SEATED AND LOCKED INTO THE SHIELD ASSEMBLY. THE CONNECTOR WILL NOT FULLY MATE TO THE FIXTURE IF THE RECEPTACLE CARRIER IS OUT OF POSITION.
- RECOMMEND USING A SENSING DEVICE FOR VERIFYING FULLY MATED CONNECTORS. SUCH A DEVICE IS UP TO THE CUSTOMERS DISCRETION.
- RECOMMENDED MATERIAL: HARDEND STEEL
- NO RADII OR CHAMFER PERMITTED IN SPECIFIED AREA. MUST MAINTAIN 90° EDGE.
- RADII TO BE 0.5 UNLESS OTHERWISE SPECIFIED.
- OPTIONAL CONSTRAINT FEATURE.

DIMENSIONS: mm 		TOLERANCES UNLESS OTHERWISE SPECIFIED: 9 PLC ± 1 PLC ±0.1 2 PLC ±0.05 3 PLC ± 4 PLC ± ANGLES ± FINISH		DWN C. CHAVEZ 04APR2002 CHK S. TPBEY 04APR2002 NAME PRODUCT SPEC APPLICATION SPEC WEIGHT CUSTOMER DRAWING		Tyco Electronics Harrisburg, PA 17105-3608 SIZE CAGE CODE DRAWING NO RESTRICTED TO A1 00779 C=1326132 SCALE 4:1 SHEET 2 OF 2 REV A1	
-----------------------	--	--	--	---	--	---	--